



BRAND

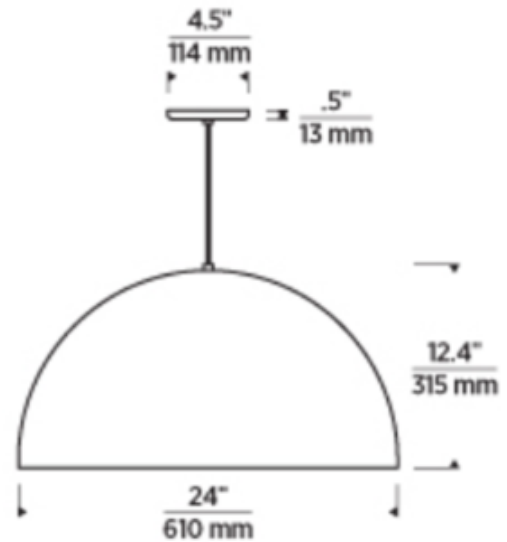
Visual Comfort Modern

DESCRIPTION

The Powell Street Pendant is sleek and contemporary with its attractive glossy finish. This high-end luxurious pendant features a high gloss finish to its exterior and modern matte interior finish surrounded by a blown white glass globe diffuser. Includes a 4.5 inch round canopy. LED option dimmable with most LED compatible electronic low voltage and TRIAC dimmers, sold separately. Swag hook accessory sold separately.



SHADE COLOR	Satin Nickel / Orange
BODY FINISH	Satin Nickel
WATTAGE	150W
DIMMER	Standard 120V
DIMENSIONS	24"W x 12.4"H
BULB NOT INCLUDED	
LAMP	1 x G40/Medium (E26)/150W/120V Incandescent



SPEC # TLG69676

COMPANY	PROJECT	FIXTURE TYPE	APPROVED BY	DATE