



**BRAND** Visual Comfort Architectural

**DESCRIPTION**

The Unilume Slimline 90CRI Undercabinet Light utilizes the tight clustered blue LEDs, a 98 percent reflective mixing chamber and an Intematix ChromaLit remote phosphor lens. The result is consistent illumination with ultra high efficiency-all in a housing that is less than 3/4 of an inch deep. Finish in Black or White. Available in four sizes. Available in choice of Very Warm White 2700K, Warm White 3000K, or Neutral White 3500K color temperature with 90CRI. 50,000 hour average lamp life. Features an integrated LED driver that makes installation easy and allows smooth dimming down to 15 percent using an electronic low voltage dimmer. Each unit includes an integrated on/off switch. ETL listed. Suitable for damp locations. Extra Small: Includes 4 watts LED, 240 lumens. 7.2 inch length x 2.8 inch depth x .7 inch height. Small: Includes 8.5 watts LED, 527 lumens. 13.2 inch length x 2.8 inch depth x .7 inch height. Medium: Includes 10.5 watts LED, 693 lumens. 19.2 inch length x 2.8 inch depth x .7 inch height. Large: Includes 18 watt LED, 1224 lumens. 31.3 inch length x 2.8 inch depth x .7 inch height. 5 year warranty. Title 24 compliant. ETL listed. Required and optional accessory items available, sold separately.



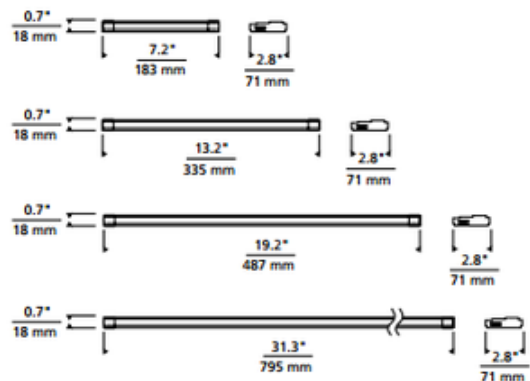
Shown in: White

<b>SHADE COLOR</b>	N/A
<b>BODY FINISH</b>	White
<b>WATTAGE</b>	10.5W
<b>DIMMER</b>	Low Voltage Electronic
<b>DIMENSIONS</b>	19.2"L x 0.7"H x 2.8"D
<b>INTEGRATED LED MODULE</b>	
<b>LAMP</b>	1 x LED/10.5W/120V LED

*Technical Information*

<b>LUMINOUS FLUX</b>	498 lumens
<b>LUMENS/WATT</b>	47.43
<b>LAMP COLOR</b>	2700K
<b>COLOR RENDERING</b>	90 CRI

**SPEC #** ELE69889



COMPANY	PROJECT	FIXTURE TYPE	APPROVED BY	DATE