



DESIGNER

Antonio Citterio

BRAND

FLOS

DESCRIPTION

Kelvin LED Wall Lamp features a die cast aluminum outer head with injection molded methacrylate diffuser. Painted extruded aluminum wall fitting and structure are available with a Matte Anthracite, Black, or Glossy White finish. Thirty 120 volt 3000K 95CRI LEDs are included for a total of 7.5 watts and 325 lumens. Touch sensor three step dimmer is included on lamp head. 18.2 inch width x 21 inch height. UL listed.

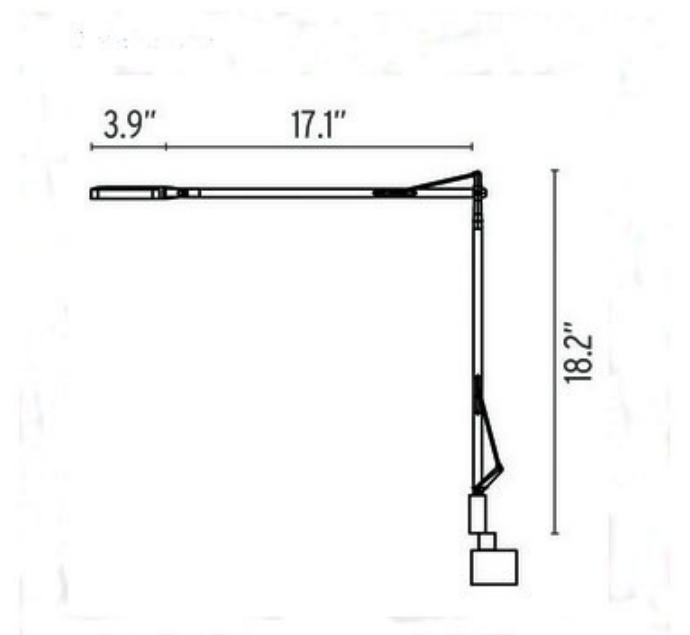


SHADE COLOR	N/A
BODY FINISH	Gloss White
WATTAGE	7.5W
DIMMER	Included
DIMENSIONS	21"W x 18.2"H
INTEGRATED LED MODULE	
LAMP	1 x LED/7.5W/120V LED

Technical Information

LUMINOUS FLUX	325 lumens
LUMENS/WATT	43.33
LAMP COLOR	3000K
COLOR RENDERING	95 CRI

SPEC # FLO75793



COMPANY	PROJECT	FIXTURE TYPE	APPROVED BY	DATE