

# Helios Aluminum Suspension



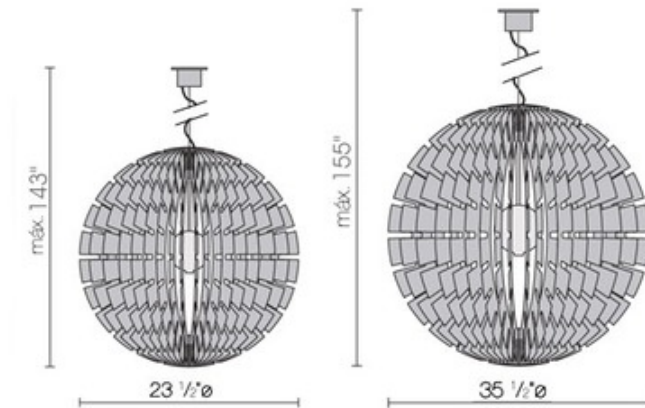
**Description:**

Helios Suspension is constructed of lightweight die-cut aluminum with a cluster of lights radiating from its core. Body and canopy of fixture is finished in Matte Grey Aluminum. Shade is Matte Grey finished die-cut aluminum. Available in two sizes. Helios 60 is 23.5 inches in diameter and requires seven 60 watt G16.5 incandescent lamps. Black cord adjustable from 30 inch minimum to 70 inch maximum overall height. Helios 90 is 35.5 inches in diameter and requires seven 60 watt A19 incandescent lamps. Black cord adjustable from 42 inch minimum to 78 inch maximum overall height. 4.75 diameter x 4.75 inch high canopy on both sizes. Lamps not included. Also available in a 23.5 inch diameter constructed of wood. cUL listed.

Shown in: Aluminum / Grey

**List Price:** \$3576.25  
**Our Price:** \$2861.00

**Shade Color:** Grey  
**Body Finish:** Aluminum  
**Lamp:** 7 x G16.5/Candelabra (E12)/60W/120V Incandescent  
**Wattage:** 420W  
**Dimmer:** Incandescent  
**Dimensions:** 23.5"H x 23.5"W x 23.62"D



Product Number: <b>BLX75838</b>			
Company:		Fixture Type:	Date: Feb 25, 2018
Project:		Approved By:	

#0230SU-HELIOS-024H1-GYAL

Fax: (773) 883-6131

Phone: 866-954-4489

Address: 1718 W. Fullerton Ave. Chicago IL 60614

www.lightology.com