



DESIGNER

Jorge Pensi

BRAND

Leucos

DESCRIPTION

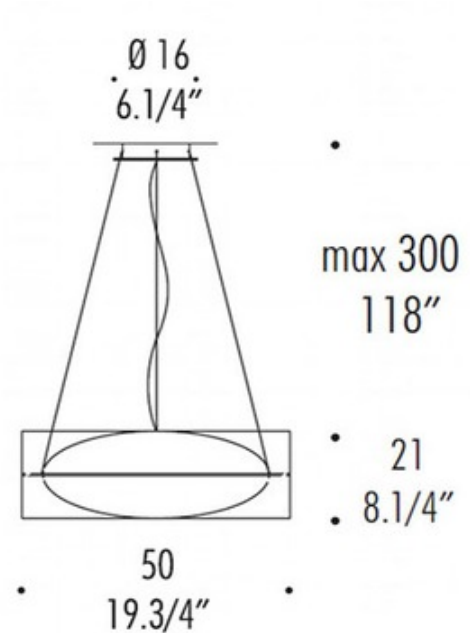
Endor S50 Suspension is made from an etched white inner glass surrounded by a White Pierced Metal screen or with Black or Red acrylic. The frame is a metal structure with a White finish. Requires two 100 watt A19 120 volt incandescent plus one 75 watt PAR30 lamp or one 55 watt T5 Circline fluorescent plus one 75 watt PAR 30 lamp. Lamps not included. Double switching available. 19.75 inches wide x 19.75 inches deep x 8.25 inch high shade. 6.25 inch canopy. Includes maximum 118 inch overall height suspension cable. cUL listed.



SHADE COLOR	White Pierced Metal
BODY FINISH	White
WATTAGE	219W
DIMMER	Standard 120V
DIMENSIONS	19.75"W x 8.25"H x 19.75"D
BULB NOT INCLUDED	
LAMP	2 x A19/Medium (E26)/72W/120V Incandescent 1 x PAR30/Medium (E26)/75W/120V Halogen

SPEC #

LEU76954



COMPANY

PROJECT

FIXTURE TYPE

APPROVED BY

DATE