

Zhane LED Linear Suspension



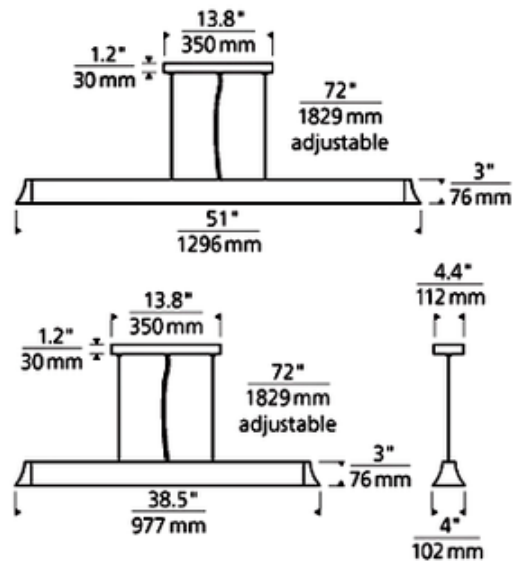
Description:

Zhane Linear Suspension features hard and soft lines converging in this elegantly simple silhouette. A bottom acrylic diffuser provides a glare free wash of light with a highly reflective inner white housing. Finish available in Antique Bronze, Black, Satin Gold or Satin Nickel. Available in a medium or large size option. Medium: 38 inch length x 3 inch height x 4 inch width x 75 inch overall length. Includes 30 watt, 3000K linear LED strip module, 2600 lumens. Large: 49 inches length x 3 inch height x 4 inch width x 75 inch overall length. Includes 40 watt, 3000K linear LED strip module, 3500 lumens. This product can mount to either a 4 inch square electrical box with round plaster ring or an octagonal electrical box not included. Dimmable with a low voltage electronic dimmer. General light distribution. ETL listed.

Shown in: Satin Nickel

List Price: \$1237.50
 Our Price: \$990.00

Shade Color: N/A
 Body Finish: Satin Nickel
 Lamp: 1 x LED/30W/120V LED
 Wattage: 30W
 Dimmer: Low Voltage Electronic
 Dimensions: 38"L x 3"H x 4"W



Product Number: TLG78973			
Company:		Fixture Type:	Date: Feb 22, 2018
Project:		Approved By:	

Fax: (773) 883-6131

Phone: 866-954-4489

Address: 1718 W. Fullerton Ave. Chicago IL 60614

www.Lightology.com