

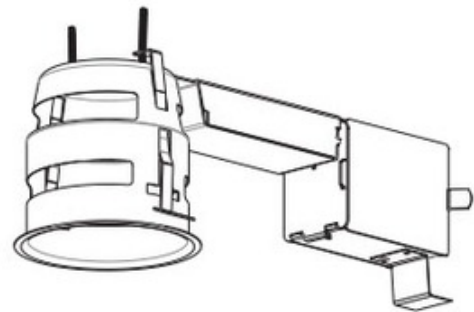


BRAND

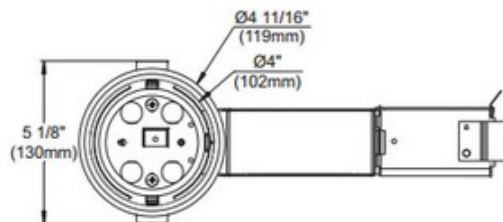
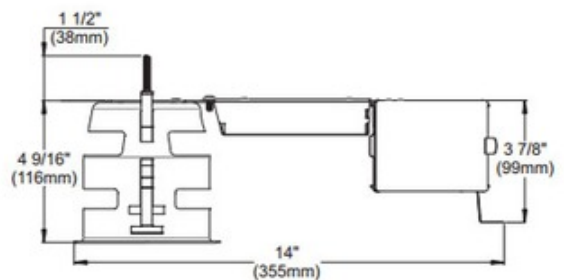
Contrast Lighting

DESCRIPTION

4 inch LED non-IC remodel housing with electronic driver has .051 inch thick galvanized steel, is below ceiling accessible, takes up to .9 inch thick ceiling, and has no light leak. Housing should be at least 3 inches from insulation. Max 12 watts with 2700K or 3000K or 10 watts with 4000K LED. For use with compatible trims LEDR200, LEDR210, LEDT200, LEDS200, LEDS210. 14 inches long x 5.1 inches wide x 4.5 inches high. Suitable for damp location. UL listed.



TRIM COLOR	N/A
BODY FINISH	Galvanized Steel
WATTAGE	12W
DIMMER	Dimmable
DIMENSIONS	14"L x 5.1"W x 4.5"H
INTEGRATED LED MODULE	
LAMP	1 x LED/12W/120V LED



SPEC #

CLT83536

COMPANY

PROJECT

FIXTURE TYPE

APPROVED BY

DATE