

READ AND UNDERSTAND THESE INSTRUCTIONS BEFORE INSTALLING FIXTURE

This fixture is intended for installation in accordance with the National Electrical Code and local regulations. To assure full compliance with local codes and regulations, check with your local electrical inspector before installation. To prevent electrical shock, turn off electricity at fuse box before proceeding.

Retain these instructions for maintenance reference.

INSTRUCTION SHEET NO.

IS:1100AICMFT

B0800

Page 1 of 2

INSTALLATION OF LYTECASTER® FRAME-IN KIT 1100AICMFT

1. FRAME-IN

WOOD JOIST CONSTRUCTION (FIG. A)

Line up bottom edge of ADJUSTABLE MOUNTING BARS with bottom of wood joist and nail into joist.

SUSPENDED CEILING CONSTRUCTION (FIG. C)

Position Adjustable Mounting Bars on top of T-BAR. Lock MOUNTING BARS by bending TABS underneath square T-BAR BEAD (FIG. C1). For round T-Bar Bead, use screws to lock mounting bars. (FIG. C2)

Make certain that bottom of MOUNTING FRAME is no higher than 1" above ceiling line, and notched area of Adjustable Mounting Bars are locked to T-Bar (FIG.C)

NOTE: CENTERING SLOTS act as guides to align adjacent frames. Mounting Bars can be extended to 24". The Mounting Frame can be mounted off-center. To secure take pliers and bend tab on Mounting Frame over towards extended Mounting Bars until Mounting Frame no longer slides along Mounting Bars. (FIG. B)

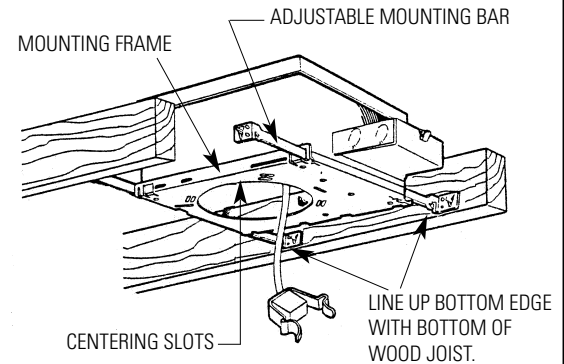


FIG. A

2. WIRE-IN

Wire to supply leads. White fixture lead to neutral supply lead, black fixture lead to hot (120V.) supply lead, and bare fixture wire to supply ground. Use properly rated wirenuts (a local hardware item).

Place all electrical connections in the J-BOX. Attach J-BOX COVER onto J-BOX. (Use built-in CABLE CLAMP in J-BOX or non-metallic sheathed cable (Romex).

3. CLOSE-IN

Install plasterboard or other dry type ceiling. Hole in board can be cut either on floor or after the board is secured in the ceiling. Use Mounting Frame opening as cutting guide template for hole, make sure ROTO CLIPS are rotated out of hole by turning counterclockwise. Apply a bead of silicone caulking compound between the ceiling opening and edge of fixture housing.

NOTE: For wet plaster ceiling, use Plaster Ring Accessory No. 1961 (order separately).

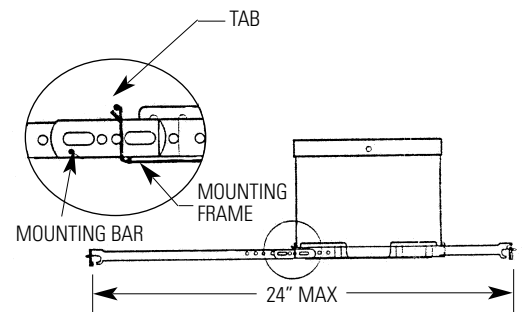


FIG. B

4. SNAP-ON

Attach Socket to REFLECTOR TRIM.

See separate instruction sheet for your choice of reflector trim.

5. PUSH-IN

Before installing Reflector Trim, rotate Roto Clips back into opening. Roto Clips can only be rotated counterclockwise. This detail allows easy removal of Reflector Trim by rotating Trim counterclockwise and permits installing Reflector Trim tightly against the ceiling surface by rotating trim clockwise after pushing trim into the mounting frame. See separate reflector trim instruction sheet for more details.

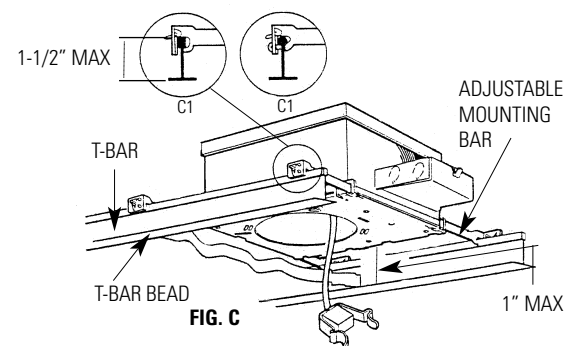


FIG. C

WARNING: USE ONLY WITH LIGHTOLIER REFLECTOR TRIMS MARKED WITH I.C. LAMPING INFORMATION.

WARNING: USE ONLY WITH TRIMS DESIGNATED BY LIGHTOLIER. USE OF OTHER MANUFACTURERS' TRIMS VOID THE UNDERWRITERS LABORATORIES LISTING AND COULD CONSTITUTE A FIRE HAZARD.

LIGHTOLIER®

LIGHTOLIER a GENLYTE THOMAS company.

631 Airport Road, Fall River, MA 02720

READ AND UNDERSTAND THESE INSTRUCTIONS BEFORE INSTALLING FIXTURE

This fixture is intended for installation in accordance with the National Electrical Code and local regulations. To assure full compliance with local codes and regulations, check with your local electrical inspector before installation. To prevent electrical shock, turn off electricity at fuse box before proceeding. **Retain these instructions for maintenance reference.**

BALLAST REPLACEMENT

1. TURN POWER OFF.
2. Remove REFLECTOR TRIM for access through ceiling opening.
3. Remove ballast assembly by loosening PLATE SCREWS, then sliding ballast PLATE upwards (FIG. D).
4. Disconnect all wiring in J-BOX.
5. Remove ballast from Plate.
6. Reassemble new ballast to PLATE.
7. Rewire socket and ballast leads to supply leads in J-BOX.
8. Reassemble ballast assembly to J-BOX by placing BALLAST ASSEMBLY holes over PLATE SCREWS; slide down and tighten screws.

