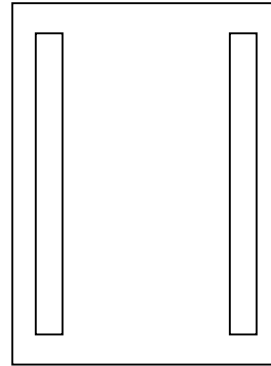


Installation Instructions for Twin Slim LED

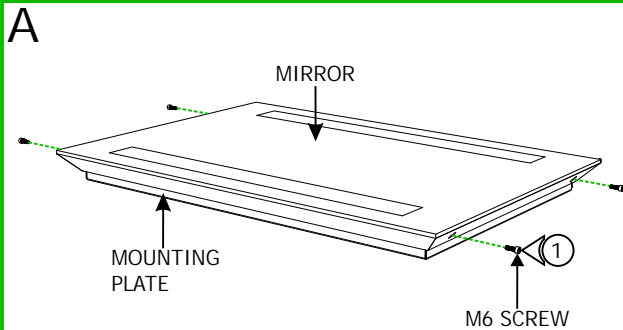
IMPORTANT INFORMATION

- This product is wall mounted only.
- Supply power to mirror in accordance with local electrical codes.
- This instruction shows a typical installation
- This product is dimmable with ELV dimmers.

SAVE THESE INSTRUCTIONS!



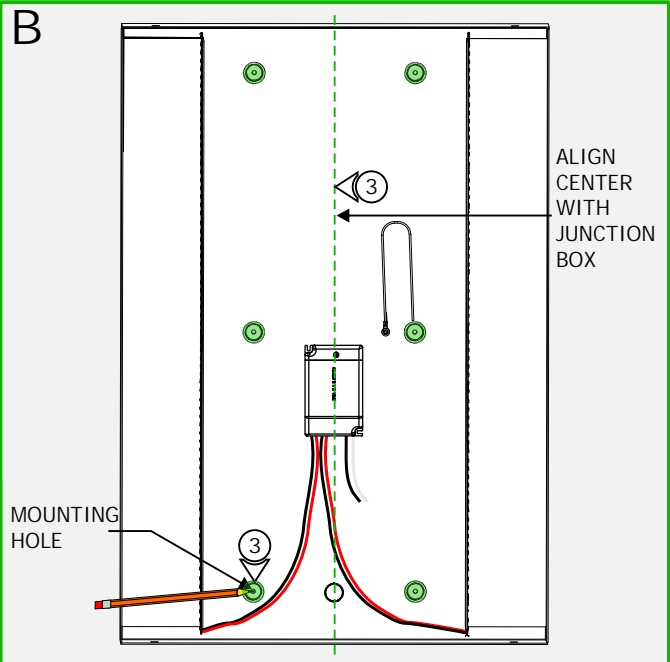
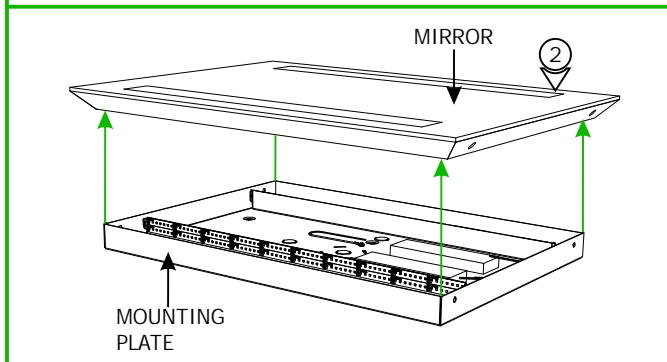
Install the Mounting Plate



NOTE: It is recommended that one person holds the mounting plate while the electrician installs it.

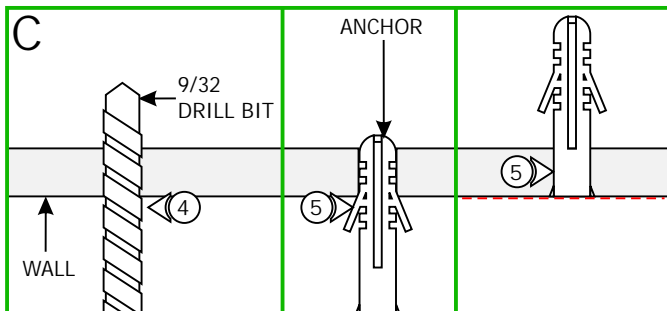
1: Loosen and remove the four M6 screws on the top and bottom of the mounting plate with the 3mm Allen wrench.

2: Pull the mounting plate completely out of the mirror.



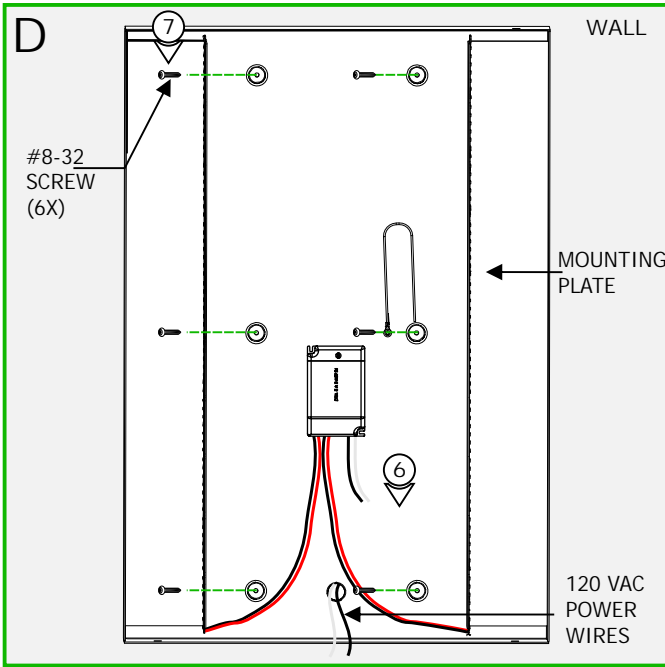
3: Align the mounting plate hole with the power line conduit, or junction box. Use the mounting plate as a template to mark eight mounting holes (highlighted in GREEN) onto the wall.

NOTE: Make sure that the mounting plate is leveled horizontally.



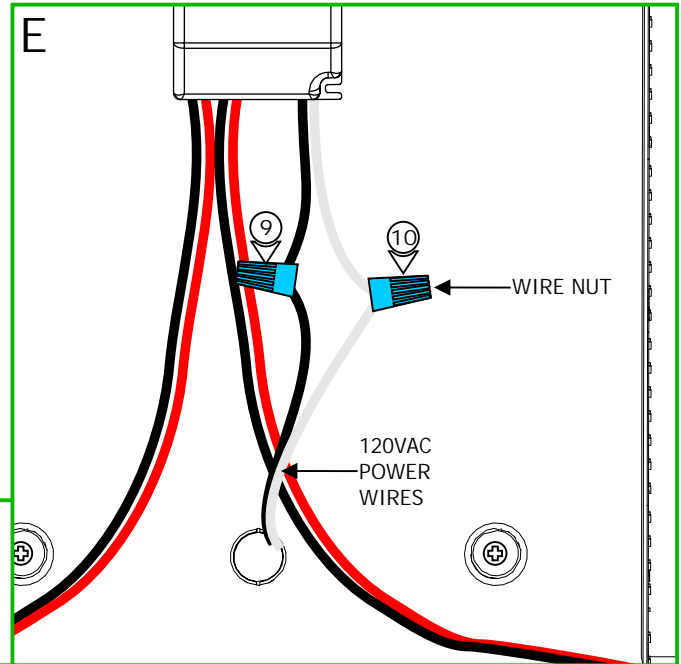
4: Use a 9/32 drill bit to make holes on all marked points.

5: Tap the anchors into the drilled holes with a hammer. Anchors must be flush to wall after installation.

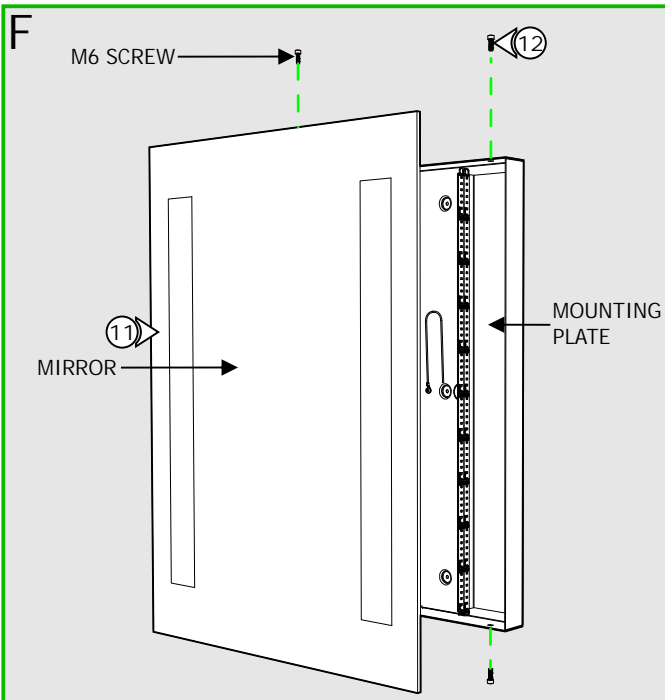


- 6: Feed the 120 VAC power wires through the mounting plate.
- 7: Line up the mounting plate holes with the anchors and secure it with the eight #8-32 screws provided.
- 8: Ensure the mounting plate is grounded in accordance with local electrical codes.

NOTE: Contains integrated 24V LED lights consuming a total of 40 Watts.



- 9: Connect the 120VAC hot wire to the hot transformer wire using a wire nut.
- 10: Connect the 120VAC neutral wire to the neutral transformer wire using a wire nut.



- 11: Carefully place the mirror onto the mounting plate.
- 12: Secure the mirror to the mounting place by tightening four M6 screws using a 3mm Allen wrench.