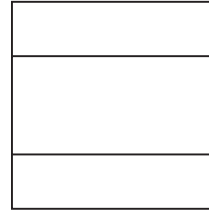


## Installation Instructions for Alpha 4 (Halogen Version)

### IMPORTANT SAFETY INSTRUCTIONS

To reduce the risk of fire, electrical shock, exposure to excessive UV radiation, or injury to persons:

- Use this fixture indoors only.
- Do not look directly at the lamp while the fixture is on.
- **RISK OF FIRE:** Use only the type of lamp and maximum wattage indicated in this instruction manual.
- Never cover the halogen lamp with anything other than a lamp shield provided by Edge Lighting and never place flammable material close to the fixture.
- Never turn the fixture on and off by connecting and disconnecting the halogen lamp.
- Do not touch the fixture head, shade or lamp shield while the fixture is on. These surfaces may be **VERY HOT**.
- Do not touch lamp at anytime. Use a soft cloth instead as oil from skin may damage lamp.
- It is normal for a new halogen lamp to produce minor smoke when first turned on.
- Turn power off and allow to cool before replacing lamp.

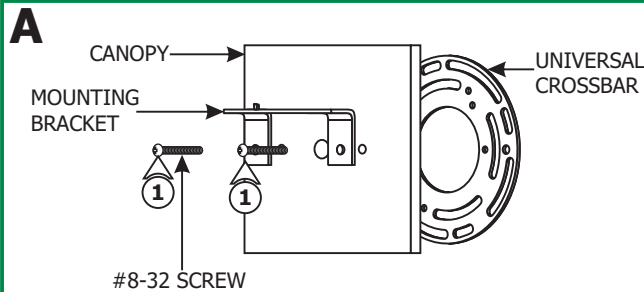


### IMPORTANT INFORMATION

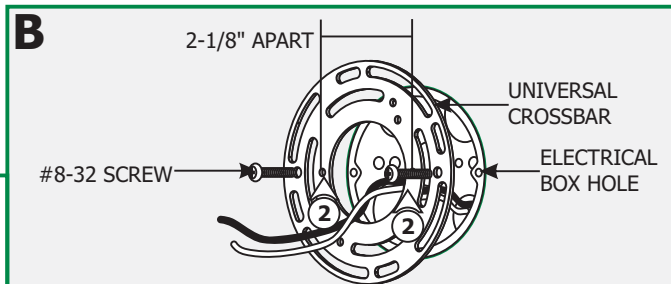
- This product is ETL listed for indoor dry locations.
- This product is wall mounted only.
- This product can mount to either a 4" square electrical box with round plaster ring or an octagon electrical box.
- This product can be dimmed with a standard incandescent dimmer.

**SAVE THESE INSTRUCTIONS!**

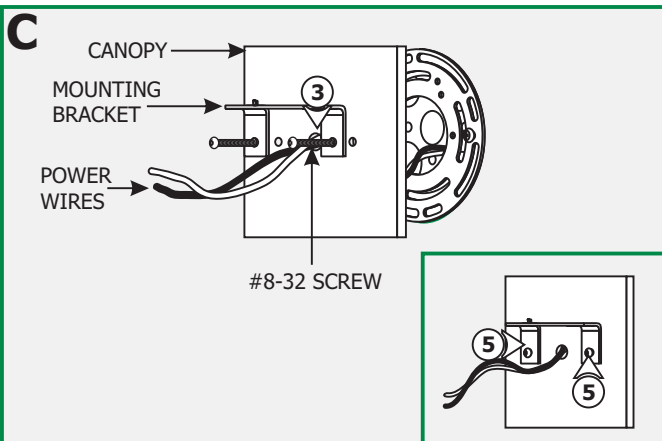
## Install the Fixture



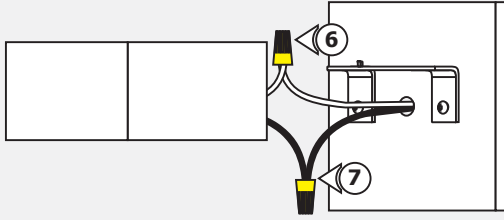
- 1:** Loosen the two #8-32 screws from the canopy to remove the universal crossbar.



- 2:** Mount the universal crossbar to the electrical box holes with the provided #8-32 screws so that the two inner threaded holes (spaced 2-1/8" apart) on crossbar are leveled horizontally.



- 3:** Feed the power wires through the canopy center hole.
- 4:** Make sure that the canopy is grounded in accordance with local electrical codes.
- 5:** Secure the canopy to the universal crossbar by tightening the two #8-32 screws through the mounting bracket holes into the two inner threaded crossbar holes.

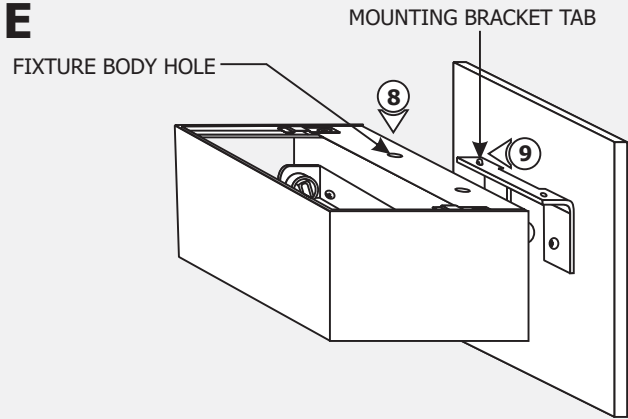
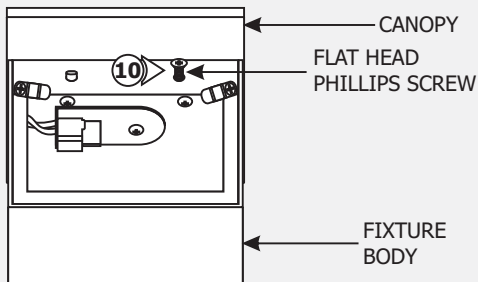
**D**

**6:** Connect the white fixture wire to the neutral power wire with a wire nut.

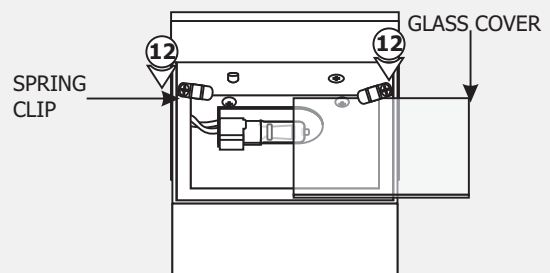
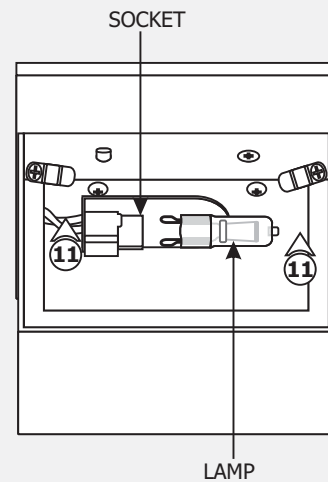
**7:** Connect the black fixture wire to the hot power wire with a wire nut.

**8:** Place all wires and wire nut connections behind the fixture body.

**9:** Place the left fixture body hole onto the mounting bracket tab.

**E****F**

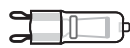
**10:** Secure the other fixture body hole with the flat head Phillips screw provided.

**G**

**CAUTION:** To reduce risk of a burn or electrical shock during lamping, disconnect the power to the fixture.

**NOTE:** Use only fingers and a soft cloth to install the lamps.

Use **MAX** 60 Watt Type T4, G9 Base, Bi-Pin Halogen Lamp.



**11:** Push the lamp pins completely into the socket holes.

**12:** Loosen the screws on the spring clips to insert the glass cover under the clips. Slightly tighten the spring clip screws to secure glass cover in place.