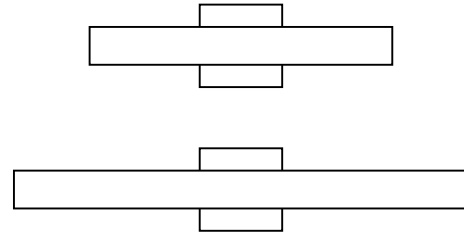


Installation Instructions for Alpha 4, 7, 16, and 24 LED

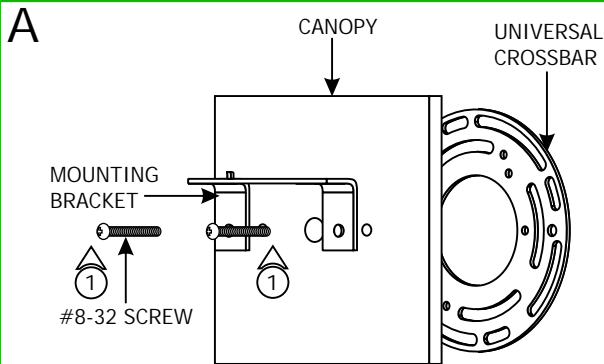
IMPORTANT INFORMATION

- Use this fixture indoors only.
- This product is ETL listed for indoor dry locations.
- This product is wall mounted only.
- This product can mount to either a 4" square junction box with round plaster ring or an octagon junction box.
- This product can be dimmed with a standard low-voltage electronic dimmer.
- This product must be installed by a qualified electrician.
- Before beginning any electrical work, ensure that power to the junction box is turned OFF.

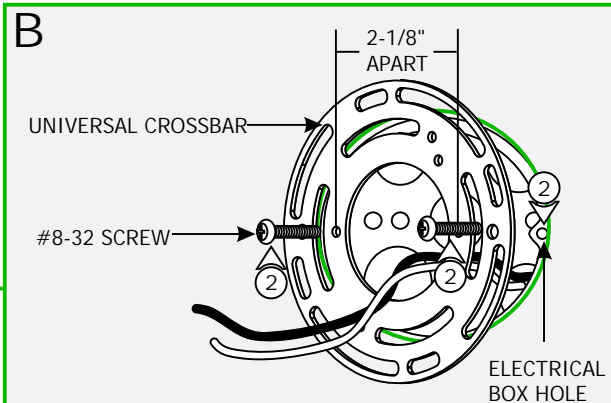
SAVE THESE INSTRUCTIONS!



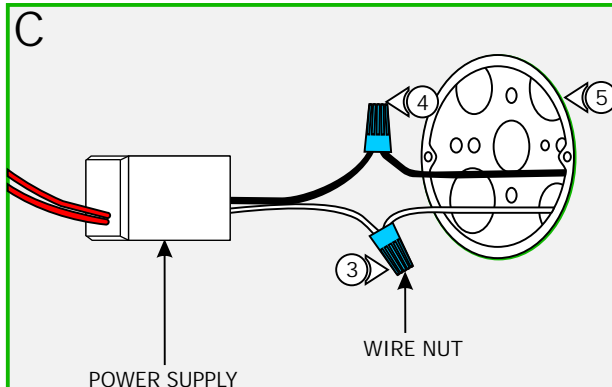
Install the Fixture



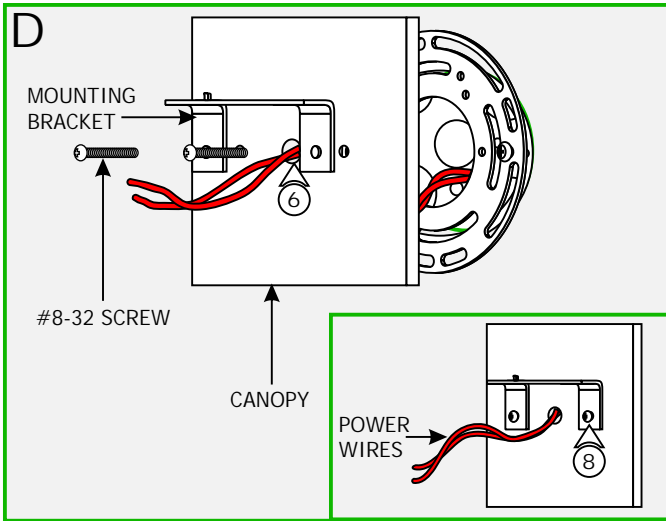
- 1: Loosen the two #8-32 screws from the canopy to remove the universal crossbar.



- 2: Mount the universal crossbar to the electrical box holes with the provided #8-32 screws so that the two inner threaded holes (spaced 2-1/8" apart) on crossbar are leveled horizontally.

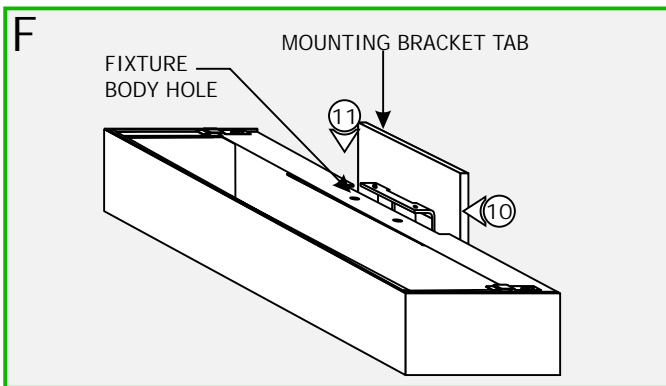
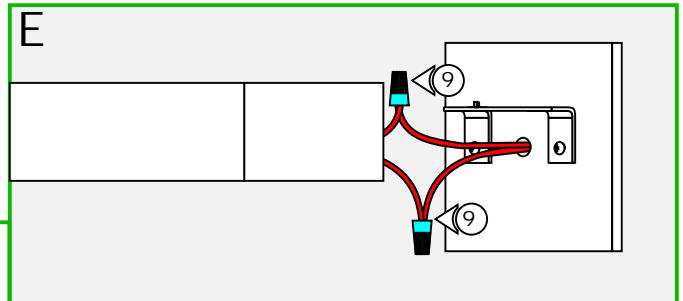


- 3: Connect the white power supply wire to the neutral power wire with a wire nut.
- 4: Connect the black power supply wire to the hot power wire with a wire nut.
- 5: Place the power supply and wires inside the electrical box.



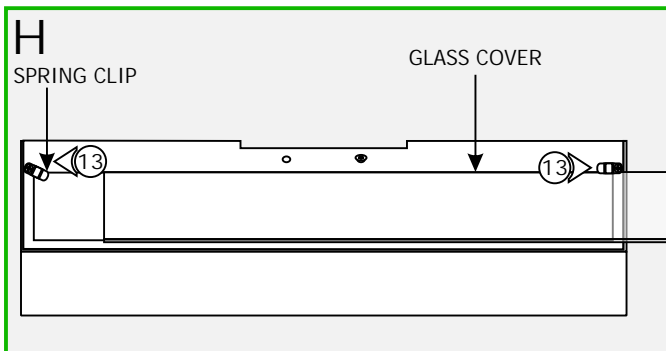
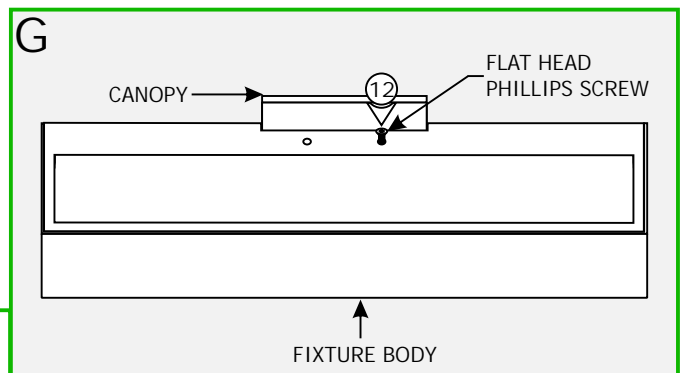
- 6: Feed the power wires through the canopy center hole.
- 7: Make sure that the canopy is grounded in accordance with local electrical codes.
- 8: Secure the canopy to the universal crossbar by tightening the two #8-32 screws through the mounting bracket holes into the two inner threaded crossbar holes.

9: Connect each power supply wire to a fixture body wire (either one) with a wire nut.



- 10: Place all wires and wire nut connections behind the fixture body.
- 11: Place the left fixture body hole onto the mounting bracket tab.

12: Secure the right fixture body hole with the flat head Phillips screw provided.



13: Loosen the screws on the spring clips (Do Not Remove) to insert the glass cover under the clips. Slightly tighten the spring clip screws to secure the glass cover in place.