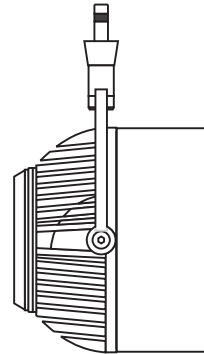


Installation Instructions for Atlas LED Head

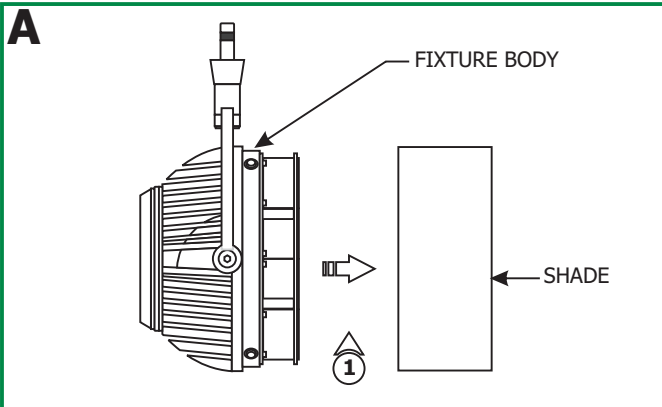
IMPORTANT INFORMATION

- This product is ETL listed for indoor dry locations.
- The product is intended to be used with Edge Lighting Monorail & Fast Jack Systems.

SAVE THESE INSTRUCTIONS!

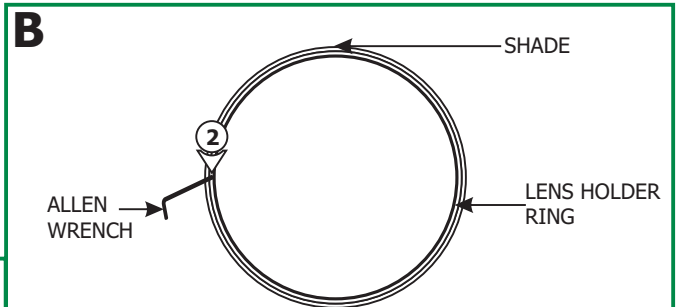


Install the Fixture

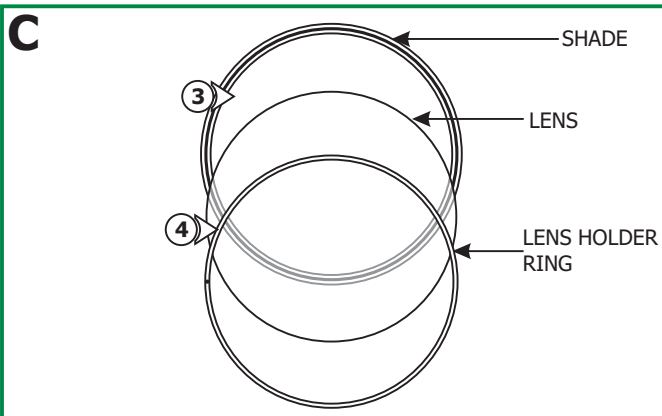


1: Pull the shade out to remove it from the fixture body.

NOTE: The FJ-ATL-3-SF_ model includes a soft focus lens. The FJ-ATL-3-LS_ model includes a linear spread lens. The FJ-ATL-3-WD_ model contains integrated wide beam LED lenses.

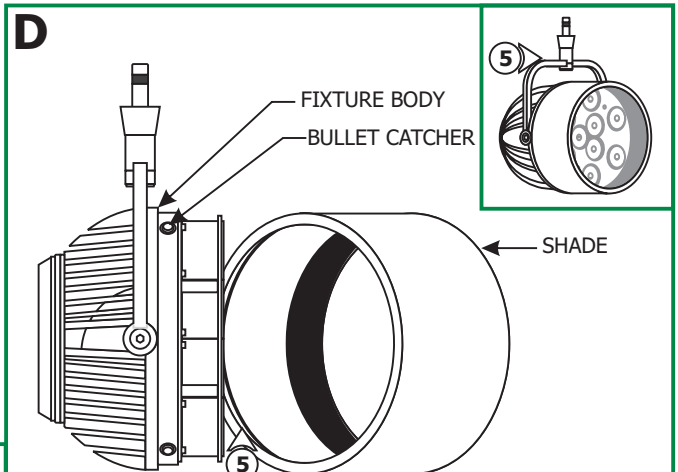


2: Use a small Allen wrench or a pen point to loosen and remove the lens holder ring from the shade.



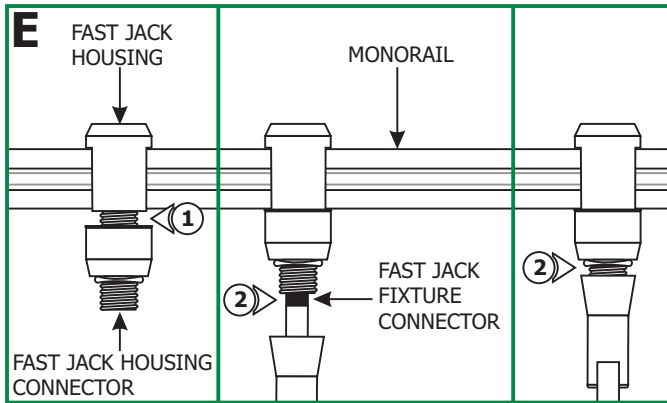
3: Place a lens or louver or a combination of the lens & louver into the shade.

4: Replace and tighten the lens holder ring to secure the lenses in place. Make sure not to cross thread the lens holder ring.



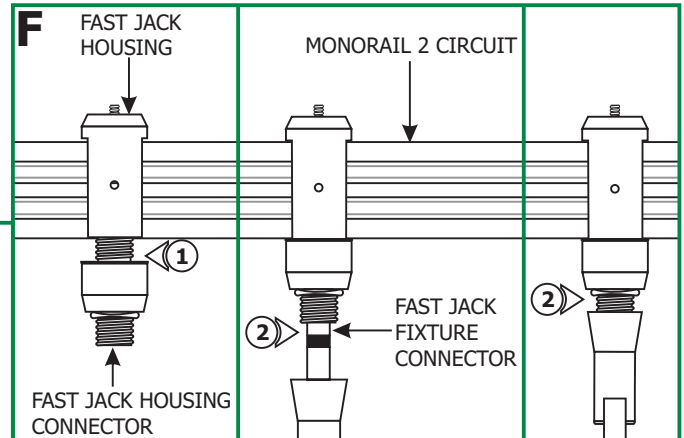
5: Snap the inside shade onto fixture body bullet catchers.

Install the Fixture to Monorail Connector (MC-FJ-_)

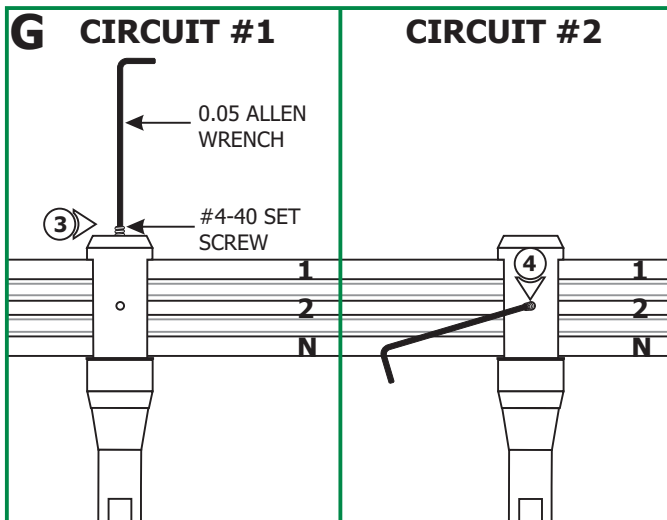


- 1: Place the Fast Jack housing onto the Monorail and use fingers to tighten the Fast Jack housing connector to the Fast Jack housing. **Make sure that the Fast Jack housing connector is not cross threaded.**
- 2: Use fingers to tighten the Fast Jack fixture connector into the Fast Jack housing connector.

Install the Fixture to Monorail 2 Circuit Connector (M2C-FJ-_)



- 1: Place the Fast Jack housing onto the Monorail 2 Circuit and use finger to tighten the Fast Jack housing connector to the Fast Jack housing. **Make sure that the Fast Jack housing connector is not cross threaded.**
- 2: Use fingers to tighten the Fast Jack fixture connector into the Fast Jack housing connector.

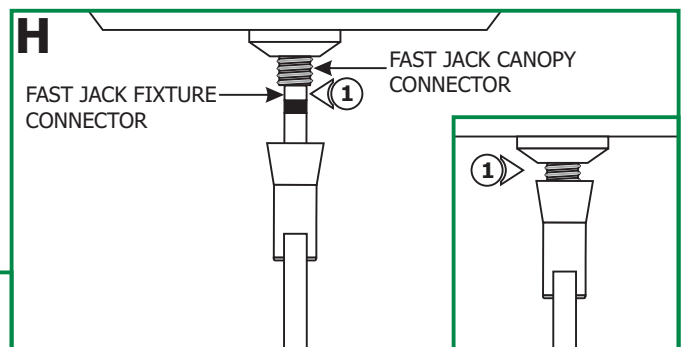


- 3: To power the fixture from circuit #1, top and bottom (neutral) rails, tighten the #4-40 set screw on top of the housing with the 0.05 Allen wrench. **Make sure this set screw connection is very tight.**
- 4: To power the fixture from circuit #2, middle and bottom (neutral) rails, remove the #4-40 set screw from top of the housing and tighten it into the side threaded hole with the 0.05 Allen wrench. **Make sure this set screw connection is very tight.**

NOTE: To avoid shorting the system, do not use more than one set screw to select a circuit on the Monorail 2 Circuit connector.

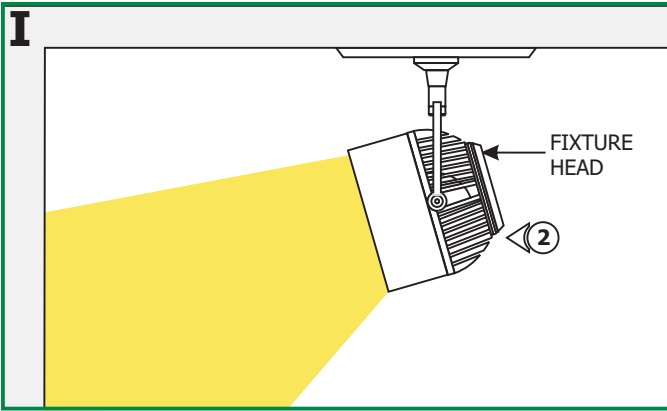
NOTE: Do not load either circuit over the maximum system rating.

Install the Fixture to Fast Jack LED Canopy (FJP-2SQ-LED_, FJP-4SQ-LED_, FJP-4RD-LED_)



- 1: Use fingers to tighten the Fast Jack fixture connector into the Fast Jack canopy connector.

I



2: Rotate the fixture head to properly accent desired location.

NOTE: The Atlas consumes **19.2** watts and contains integrated LED lamps which are rated for 50,000 hours.