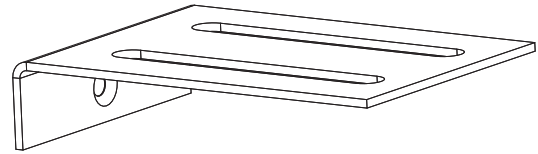


Installation Instructions for 90° Mounting Bracket For Cirrus and Light Channel Mounting Clips

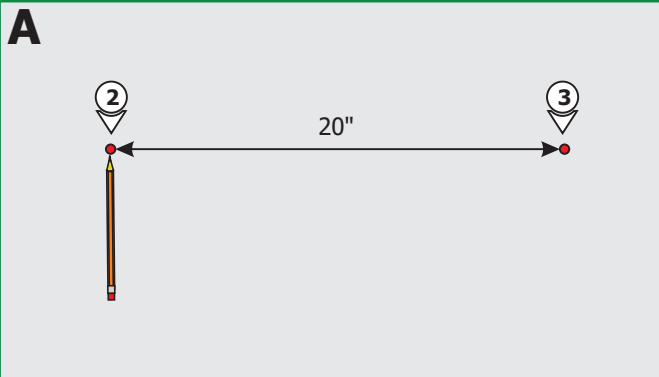
IMPORTANT INFORMATION

- This product should be used with Cirrus Channel or Light Channel series.

SAVE THESE INSTRUCTIONS!

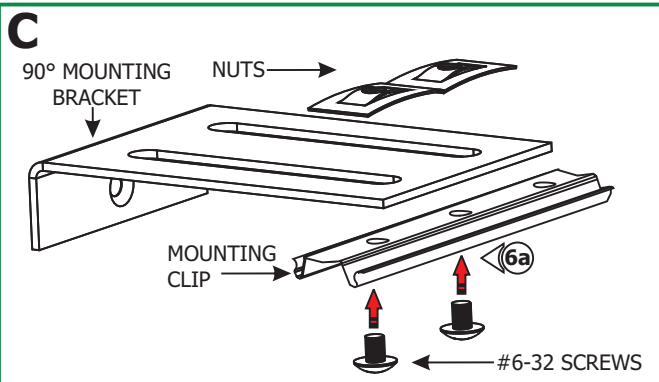
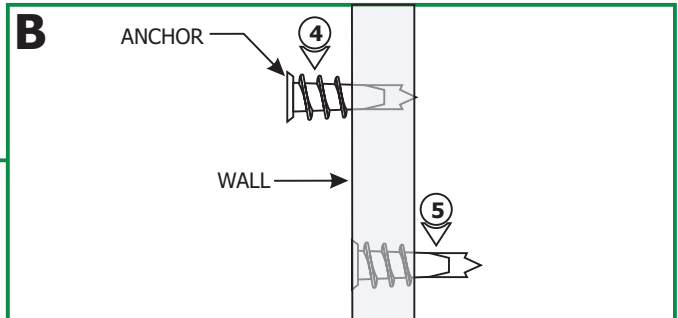


Installing Cirrus Mounting Clip



- 1:** Determine how many mounting clips are included with the Cirrus product. Note that number of mounting clips vary based on channel length and some of the mounting clips are used as locking clips.
- 2:** Determine the location on the wall that the channel is going to be mounted.
- 3:** Based on number of mounting clips provided with the fixture, mark a point for each mounting bracket on a straight line evenly distributed for maximum 20" apart.

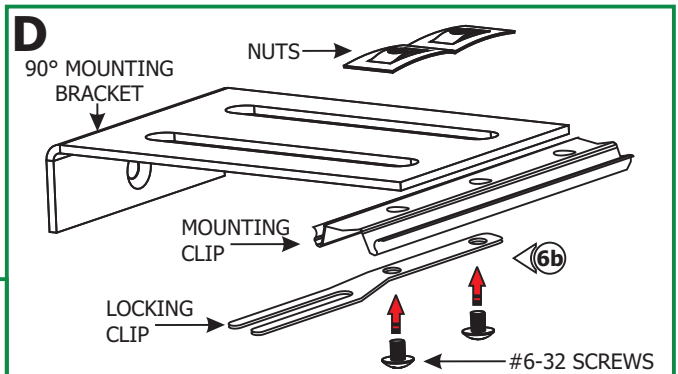
- 4:** For every marked point, tap the anchor with a hammer up to the threaded portion.
- 5:** Screw in the threaded portion of the anchor with a Phillips screwdriver.

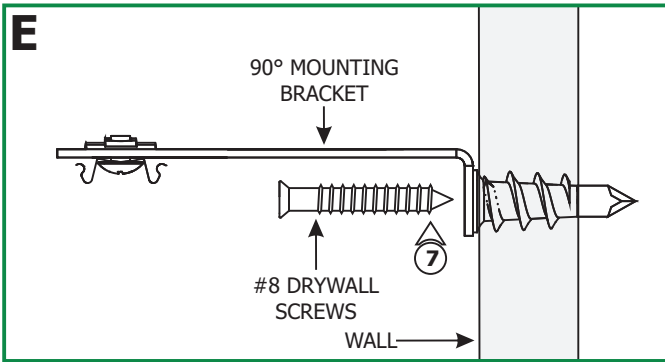


NOTE: Install one 90° mounting bracket for each mounting or locking clip provided with Cirrus channel.

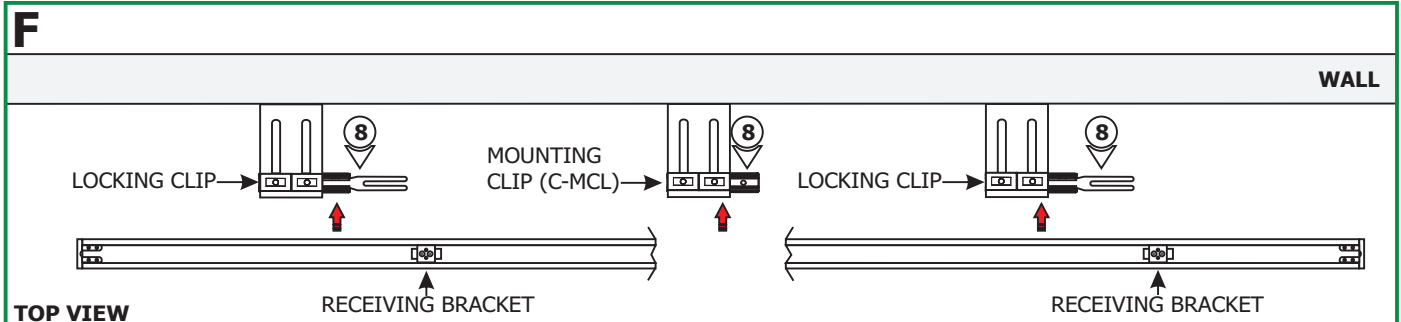
6a: FOR MOUNTING CLIPS, assemble mounting clip to the bracket using the provided #6-32 screws and nuts.

6b: FOR LOCKING CLIPS, place inside and align the holes of the locking clip with the mounting clip using the provided #6-32 screws and nuts.



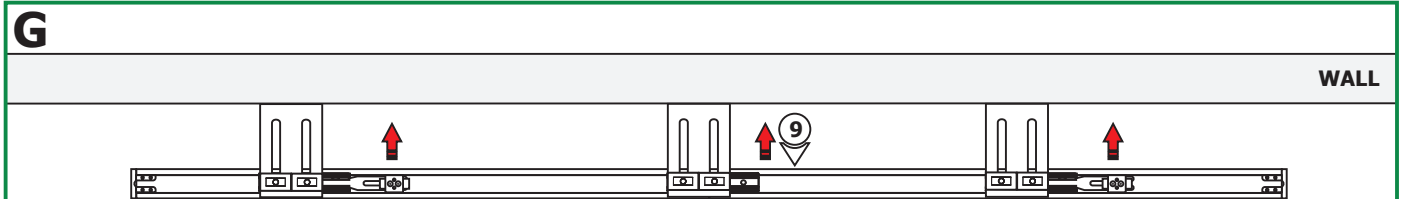


7: Install the assembled brackets to the drywall anchors with the provided #8 drywall screws.



TOP VIEW

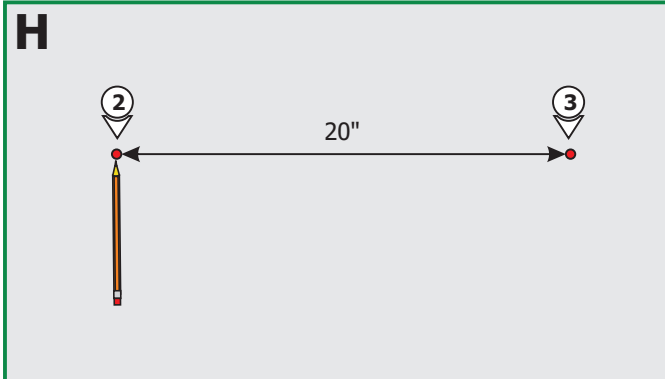
8: Align the channel with locking/mounting clips. Carefully snap channel onto the locking/mounting clips then slide 2" into receiving bracket to lock in place.



TOP VIEW

9: Channel can be adjusted towards or away from the wall up to 2" as desired.

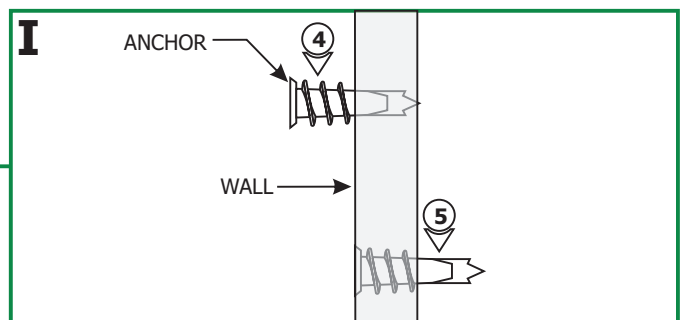
Installing Light Channel Mounting Clip

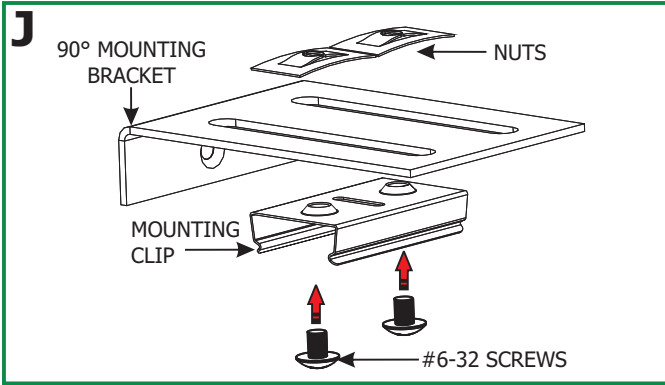


- 1:** Determine how many mounting clips are included with the Light Channel product. Note that number of mounting clips vary based on channel length.
- 2:** Determine the location on the wall that the channel is going to be mounted.
- 3:** Based on number of mounting clips provided with the fixture, mark a point for each mounting bracket on a straight line evenly distributed for maximum 20" apart.

4: For every marked point, tap the anchor with a hammer up to the threaded portion.

5: Screw in the threaded portion of the anchor with a Phillips screwdriver.





NOTE: Install one 90° mounting bracket for each mounting provided with Light Channel.

6: Assemble mounting clip to the bracket using the provided #6-32 screws and nuts.

