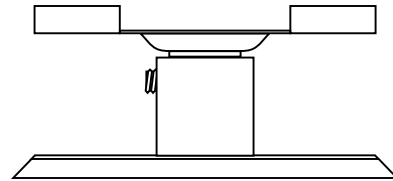


## Installation Instructions for Drop Ceiling T-Bar Clip for Cirrus

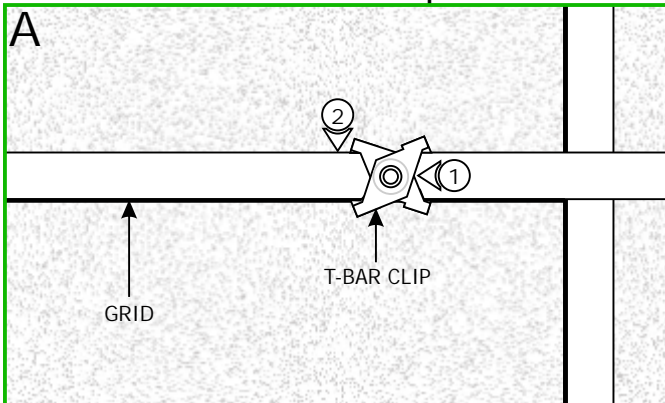
### IMPORTANT INFORMATION

- This accessory should be used with Edge Lighting Cirrus Channel.
- The T-Bar clip fits on 9/16" and 15/16" T-Bar grids.
- It is recommended that T-bar clips be installed 20" apart.

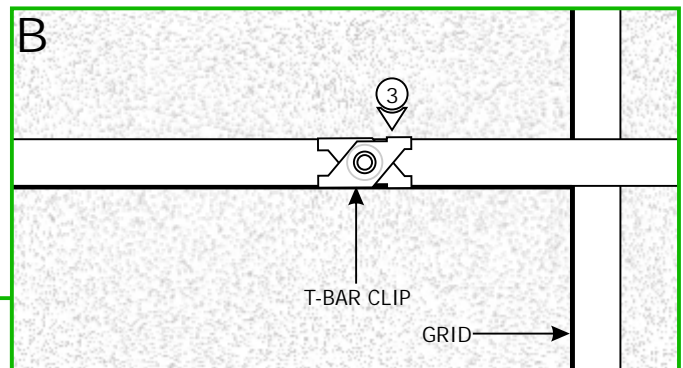
**SAVE THESE INSTRUCTIONS!**



### Install the T-Bar Clip

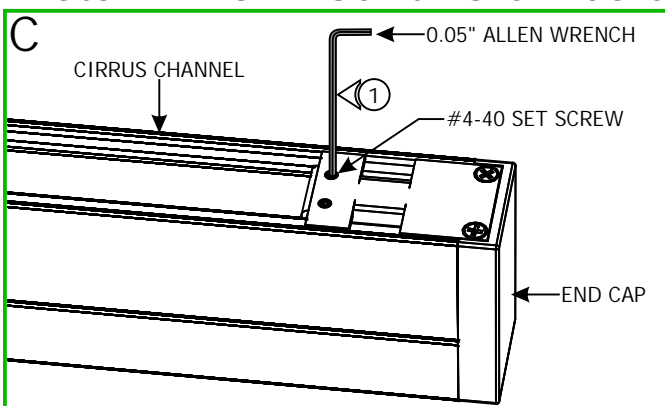


- 1: Open the T-Bar clip arms to fit over the grid.
- 2: Select the location on the grids where the standoff will be mounted.

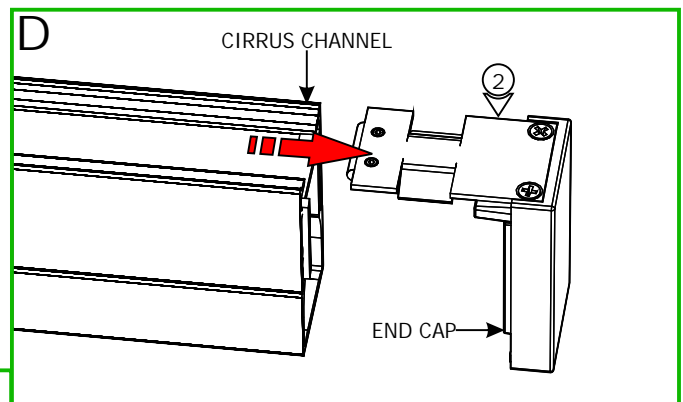


- 3: Place the T-Bar clip onto the grid and squeeze the arms together to secure it in place.

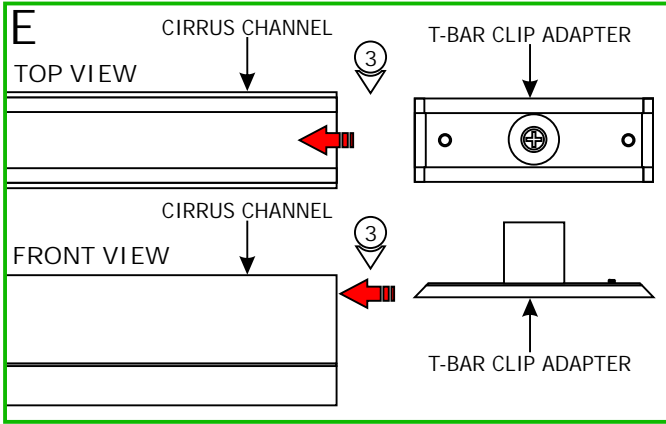
### Install T-Bar Mount To Cirrus Channel



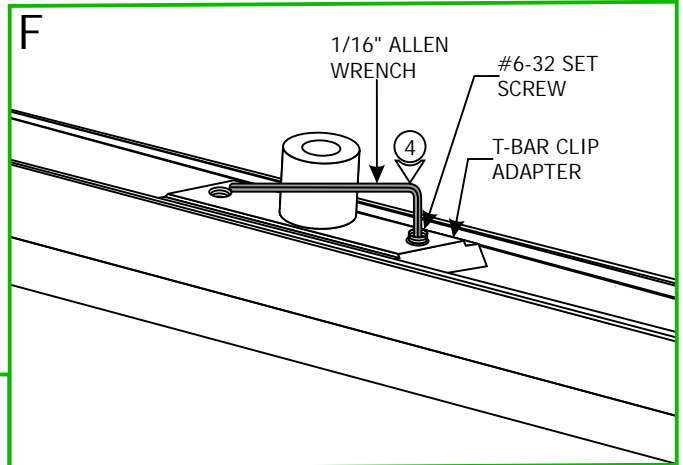
- 1: Loosen the two #4-40 set screws (DO NOT REMOVE) on the end cap at the non-power side of the Cirrus channel using a 0.05" Allen wrench.



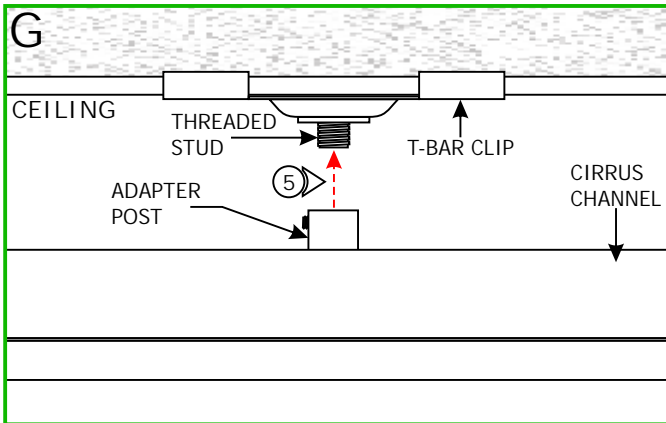
- 2: Slide the end cap out of the channel.



3: Slide the T-Bar clip adapter(s) into the Cirrus channel.

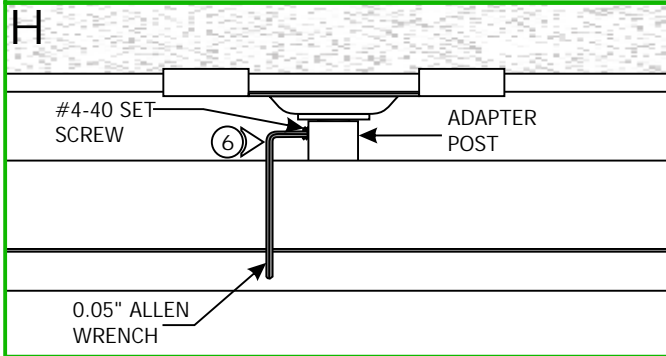


4: Align the T-bar clip adapters evenly apart and tighten the #6-32 set screws on each T-bar clip adapter with a 1/16" Allen wrench.



5: If necessary, slide the T-bar clips to align with the T-bar clip adapters. Align and insert the T-bar clips adapter posts into the threaded studs.

6: Tighten the #4-40 set screws with a 0.05" Allen wrench on each part.



7: Replace the end cap to the end of the channel and tighten two #4-40 set screws with a 0.05" Allen wrench.

**NOTE:** Refer to instructions provided with Cirrus channel to install power.

