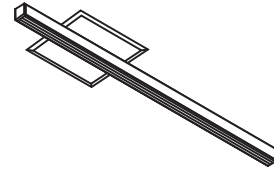


## Installation Instructions for Cirrus Channel, Wall Wash Lens

### IMPORTANT INFORMATION

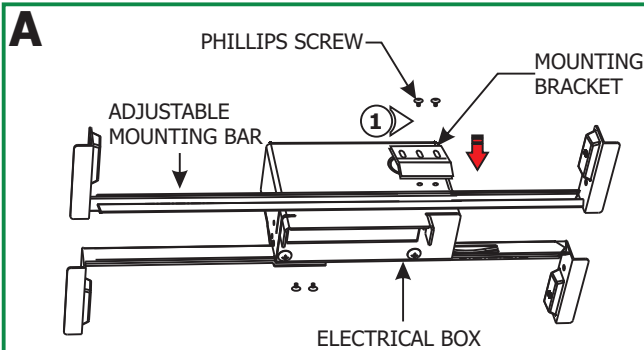
- This instruction shows a typical installation.

**SAVE THESE INSTRUCTIONS!**



**NOTE:** Prior to installing the Cirrus Channel, junction box must be installed. If using Edge Lighting Slim Profile junction box (C-1RE-JBOX) follow steps "Install the Junction Box (C-1RE-JBOX)" below, if using a standard junction box, continue on to steps "Install the Cirrus Channel" on page 2.

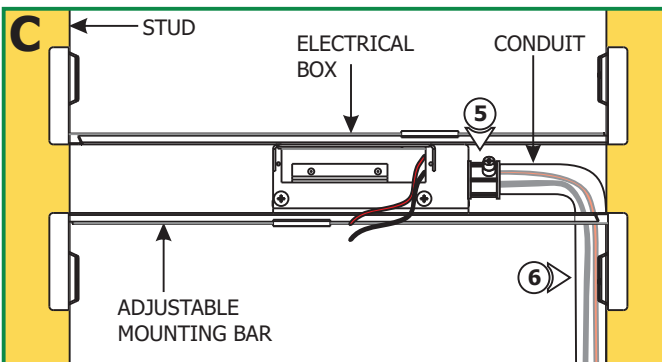
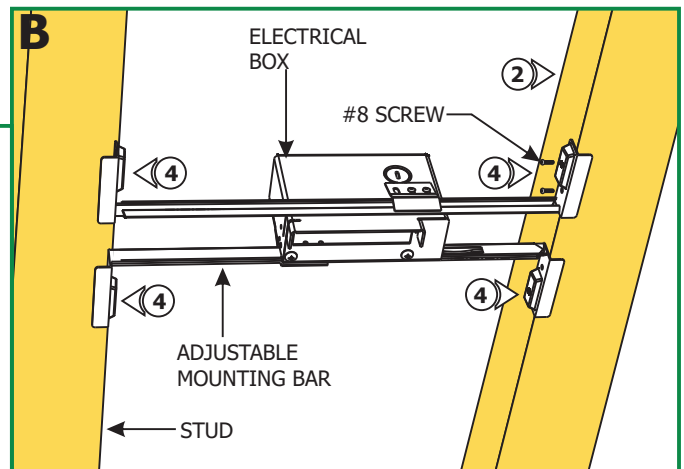
### Install the Junction Box (C-1RE-JBOX)



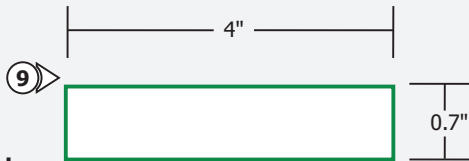
**1:** Mount each adjustable mounting bar to one side of the electrical box (mounts to any side of the housing depending on the orientation of the channel) and secure them with the mounting brackets and two Phillips screws provided.

**NOTE:** The adjustable mounting bars mount to studs that are spaced 16" to 24" apart.

- 2:** Select the location between the two studs for the electrical box to be mounted.
- 3:** Place the adjustable mounting bars between the studs.
- 4:** Make sure the lips on the adjustable mounting bars are against the studs. Secure the adjustable bars to the studs with the eight #8 screws.



- 5:** Remove a knockout to install the power line conduit.
- 6:** Install the conduit and run the low voltage 24V DC power wires coming from the remote power supply to the electrical box.
- 7:** Refer to the instruction provided with the power supply to properly wiring diagram.

**D**

DRYWALL

**8:** Mark a 4" x 0.7" rectangle on drywall where the electrical box opening will be located.

**9:** Cut out the marked square(s) and install the drywall.

**NOTE:** Omit this section if the channel is made out of a single piece (120" or less).

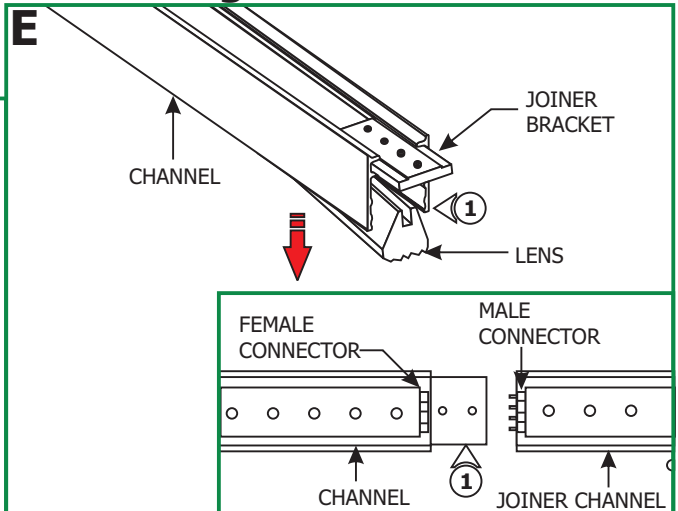
**NOTE:** Prior to installation, Cirrus Channel must be connected to one another to make proper measurements on surface for markings.

**NOTE:** It is recommended more than one person to assist in this installation

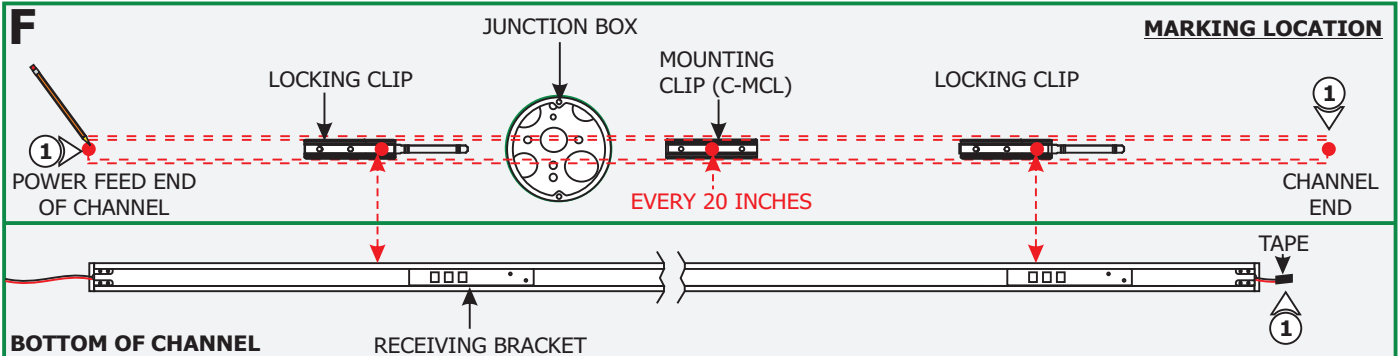
**1:** Lift a section of the lens at the end of the channels where the connectors are visible. Slide the channel over the joiner bracket make sure that the male & female connectors mate properly.

**2:** Push the lens back into the channel.

## Connecting the Channel



## Install the Channel



**NOTE:** Remote power supply must be installed within 40ft of electrical box. The low voltage 24V DC wires must be present in electrical box before installing the channel. Refer to the installation instructions provided with the power supply.

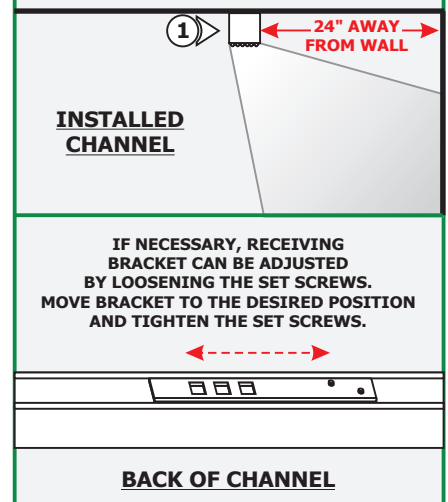
**1:** Wall wash channel mounts in one direction, **24" away from the wall to properly light the desired area.** Choose the cord on one end that is closest to the electrical box. Cut the unused cord leaving 2" exposed. Wrap the end of the unused cord with electrical tape.

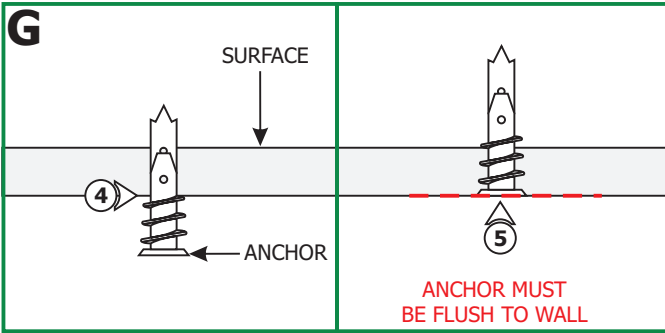
**2:** Lay the channel to the desired location & make all necessary markings which will consist of the channel ends, locking clips and mounting clips. Mounting clips must be installed every 20" from each locking clip, **locking mounting clips are not necessary for channels under 2ft.**

**NOTE:** If the receiving bracket interferes with the electrical box, then relocate the bracket by loosening the set screws and make the necessary adjustments.

**NOTE:** The channel must pass through the center of the electrical box.

**3:** After all markings and required measurements are done, take apart channels from each other.

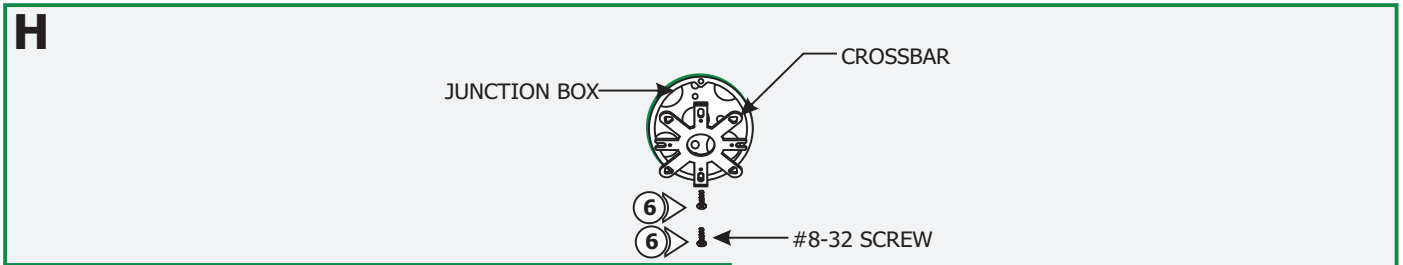




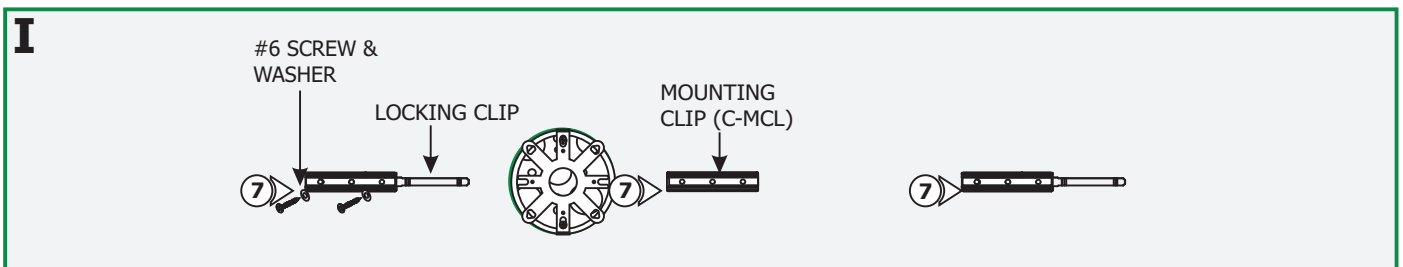
**NOTE:** Steps 4 and 5 are for drywall mounting. Omit these steps if mounting the clips to a wood surface directly.

**4:** Tap the anchors onto the marked points up to the threaded portion with a hammer.

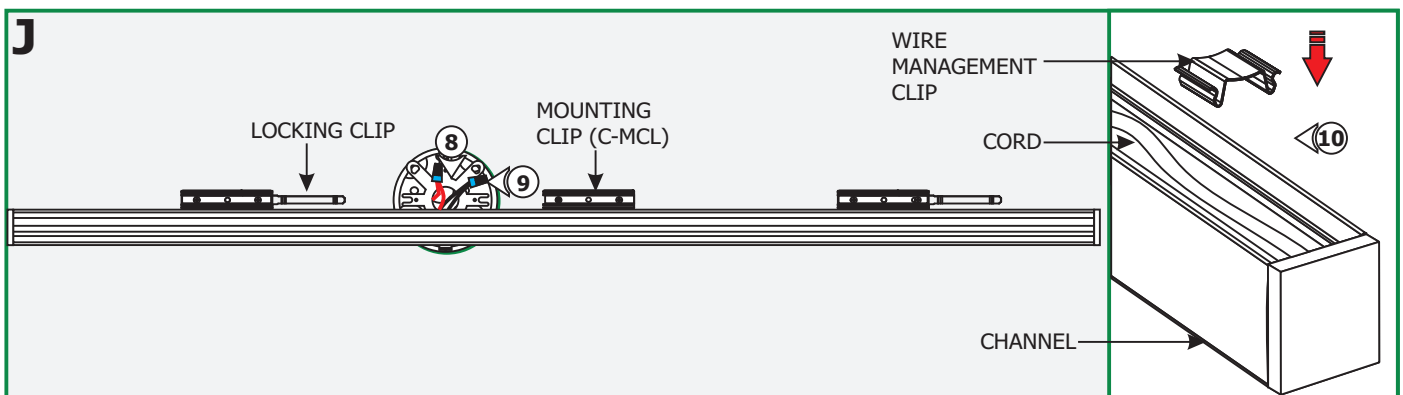
**5:** Screw in the threaded portion of the anchors with a Phillips screwdriver.



**6:** If using the standard Junction box only, mount the crossbar to the electrical box holes with the two #8-32 screws provided.



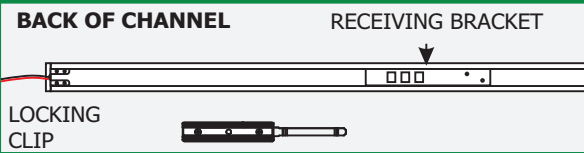
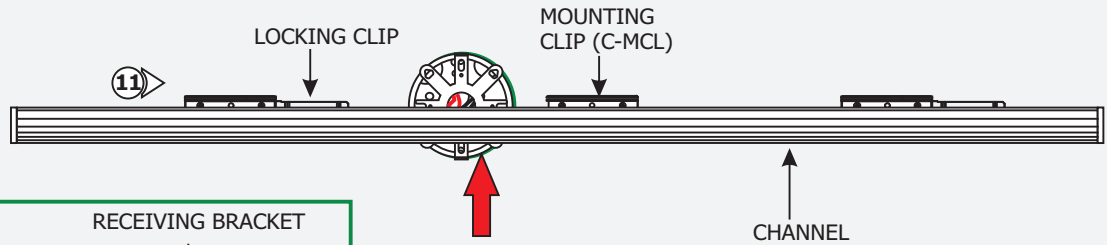
**7:** Line up the locking clips & mounting clips to anchor holes and secure them by tightening the two #6 screws with washers under the head into each clip.



**8:** Connect the red power supply (24VDC+) wire to red strip wire with a wire nut inside the electrical box.

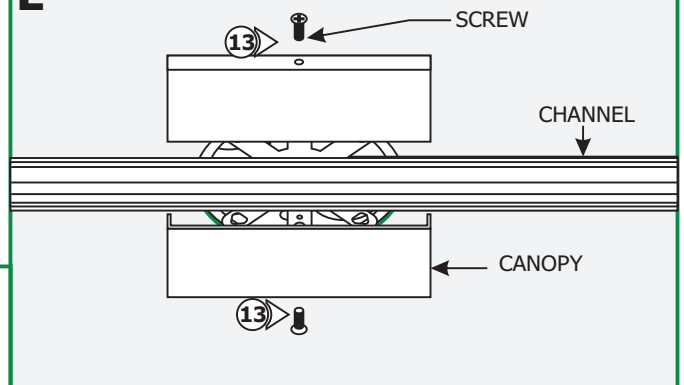
**9:** Connect the black power supply (24VDC+) wire to black strip wire with a wire nut inside the electrical box.

**10:** Snap the wire management clip to hold the cable in place if necessary.

**K**

**11:** Carefully snap fixture body into the locking/mounting clips then slide (2") into receiving bracket to lock in place. Make sure not to nick the wires.

**12:** If applicable, connect the remaining channels by following "Connecting the Channel" on page 2. Then secure by repeating step 11 (above).

**L**

**13: If using the standard Junction box,** Place each canopy piece against the crossbar and secure it to the electrical box holes with the provided screws.