

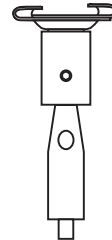
Installation Instructions for Cirrus Suspension Adjustable & Power T-Bar Clips

IMPORTANT INFORMATION

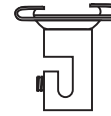
- This product is ETL listed for indoor dry locations.
- This accessory should be used with Edge Lighting Cirrus Channel Suspension.
- The T-Bar clip fits on 9/16" and 15/16" T-Bar grids.

SAVE THESE INSTRUCTIONS!

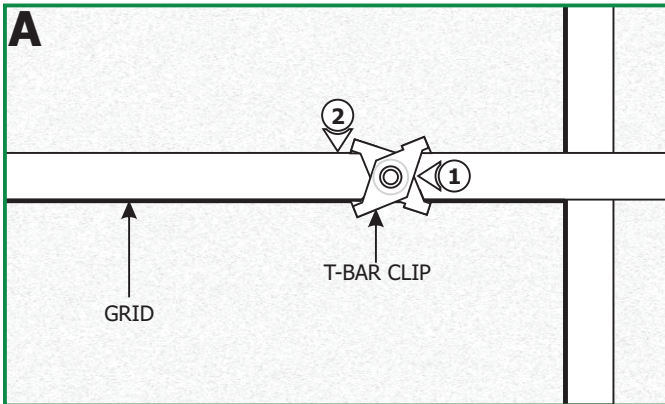
ADJUSTABLE T-BAR CLIP



ADJUSTABLE POWER T-BAR CLIP

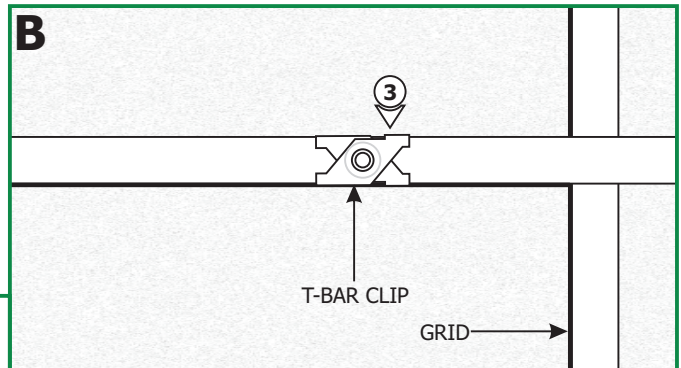


Install the T-Bar Clip



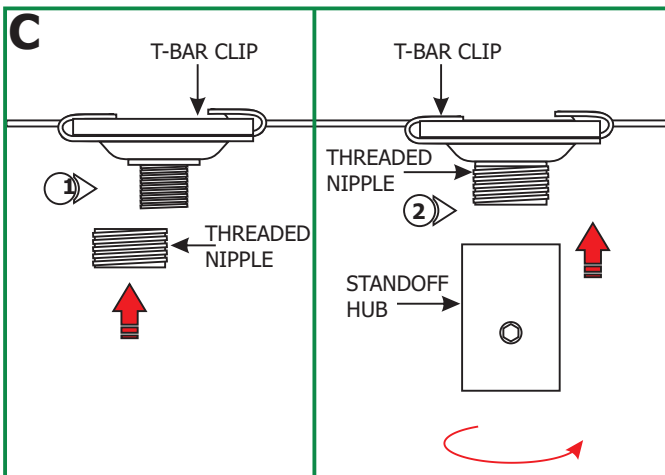
1: Open the T-Bar clip arms to fit over the grid.

2: Select the location on the grids where the standoff will be mounted.



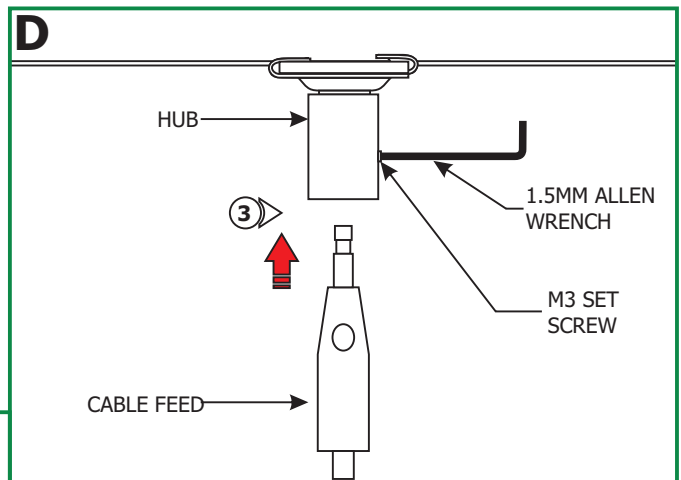
3: Place the T-Bar clip onto the grid by squeezing the arms together.

Install the Adjustable T-Bar Clip

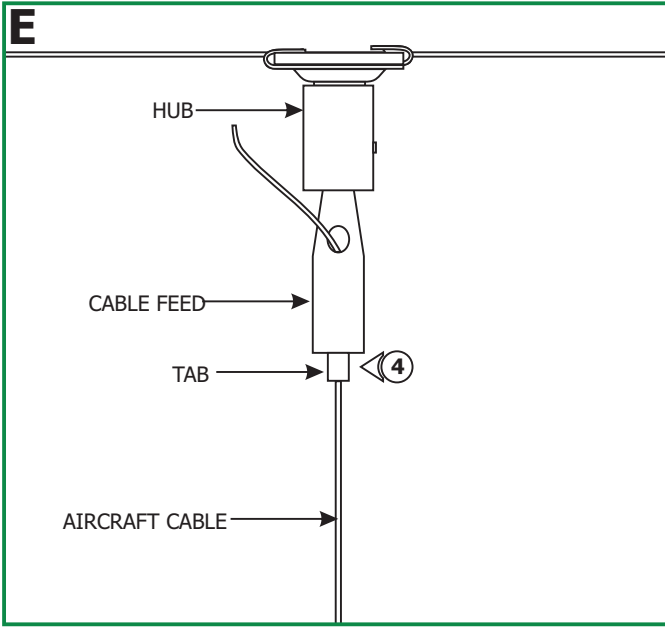


1: Tighten the threaded nipple to the T-bar clip.

2: Tighten the standoff hub to the threaded hub.

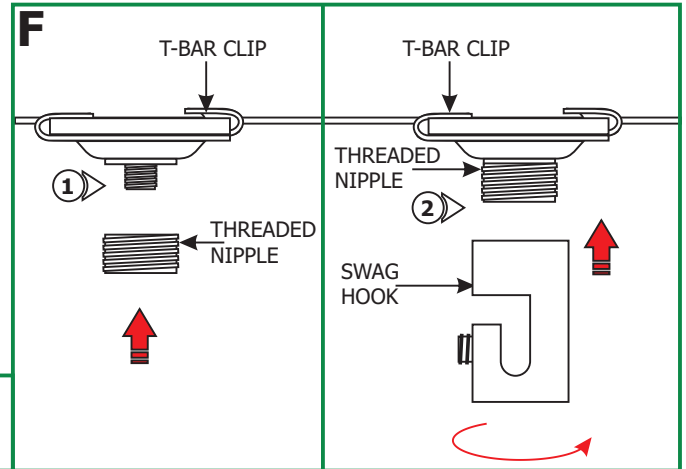


3: Insert the cable feed into the hub and tighten the M3 set screw on the conical nipples with the 1.5mm Allen wrench.

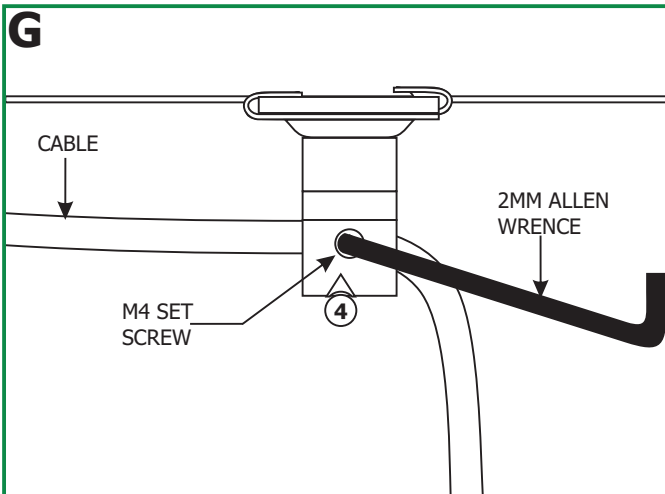


- 4:** Push the tab on the cable feed and feed the aircraft cable through the tab.
- 5:** Pull the aircraft cable coming out of the top of the cable feed. Release the tab to lock the adjustable connector in place.
- 6:** Refer to the instructions provided with the fixture to complete installation.

Install the Adjustable Power T-Bar Clip



- 1:** Tighten the threaded nipple to the T-bar clip.
- 2:** Tighten the swag hook to the threaded hub.



- 3:** Slide the coaxial cable (coming from the suspension fixture and going into the power feed canopy) into the swag hook. Adjust the fixture height and tighten the M4 set screw with 2mm Allen wrench provided.
- 4:** Refer to the instructions provided with the fixture to complete installation.