

## Installation Instructions for **Fast Jack Bubble Pendant**

### IMPORTANT SAFETY INSTRUCTIONS

To reduce the risk of fire, electrical shock, exposure to excessive UV radiation, or injury to persons:

- Use this fixture indoors only.
- Do not look directly at the lamp while the fixture is on.
- **RISK OF FIRE:** Use only the type of lamp and maximum wattage indicated in this instruction manual.
- Never cover the halogen lamp with anything other than a lamp shield provided by Edge Lighting and never place flammable material close to the fixture.
- Never turn the fixture on and off by connecting and disconnecting the halogen lamp.
- Do not touch the fixture head, shade or lamp shield while the fixture is on. These surfaces may be **VERY HOT**.
- Do not touch lamp at anytime. Use a soft cloth instead as oil from skin may damage lamp.
- It is normal for a new halogen lamp to produce minor smoke when first turned on.
- Do not operate the luminaire with a missing or damaged shield.
- Turn power off and allow to cool before replacing lamp.

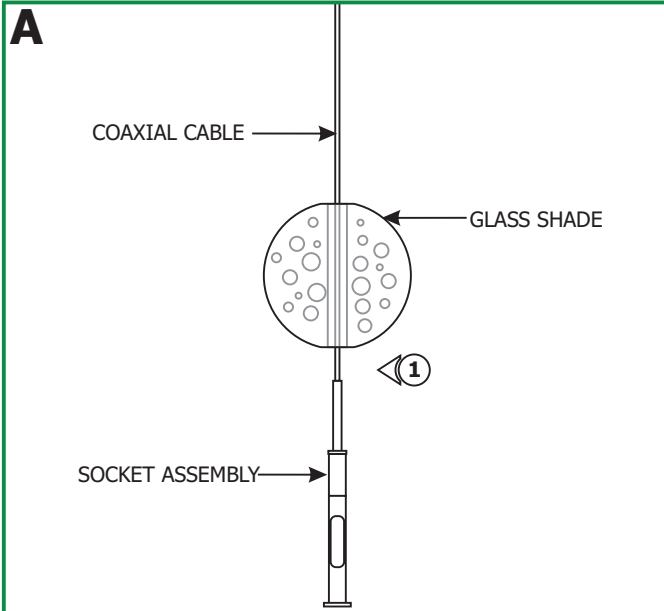


### IMPORTANT INFORMATION

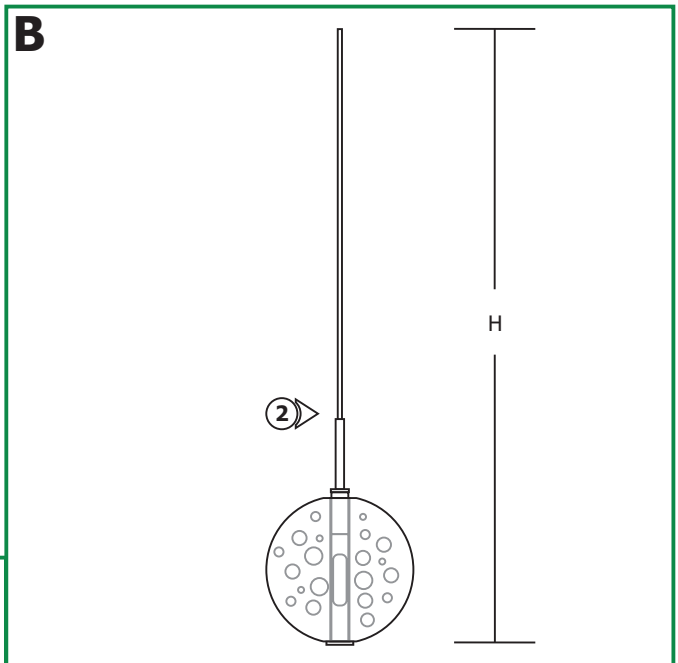
- This product is ETL listed for indoor dry locations and approved to be used at any height above the finished floor.

**SAVE THESE INSTRUCTIONS!**

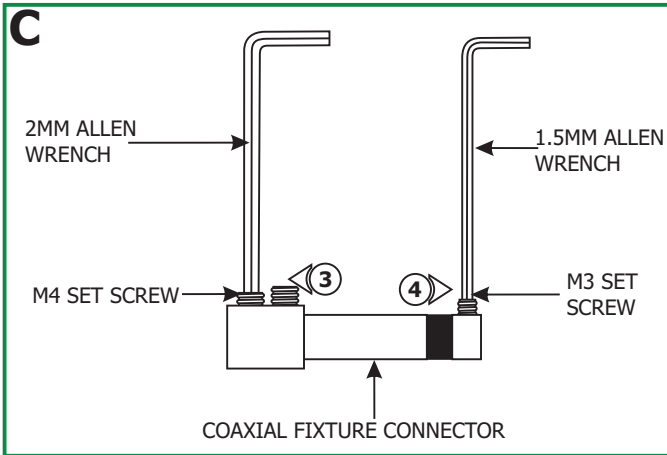
## Adjust the Fixture Height



**1:** Feed the coaxial cable through the glass shade, and rest the glass shade over the socket assembly.



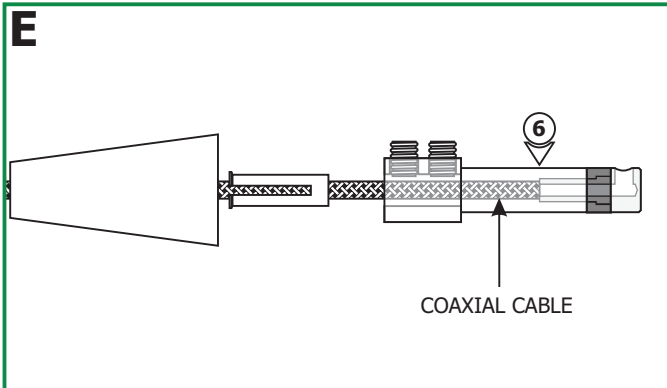
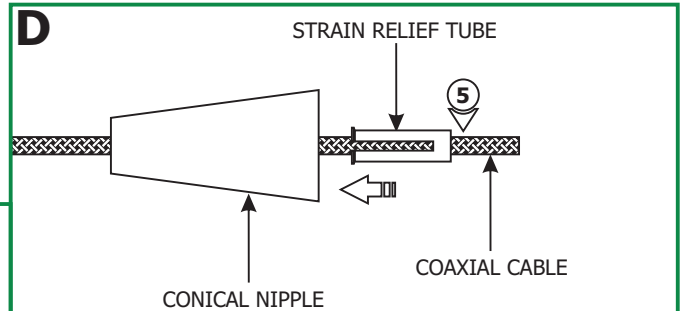
**2:** Cut the coaxial cable to the desired height (H) with a sharp cutter. The overall fixture height is measured from the bottom of the glass shade to the end of the coaxial cable.



**3:** Loosen the two M4 set screw on base of the coaxial fixture connector with the 2mm Allen wrench provided. **Do not remove these set screws.**

**4:** Remove the M3 set screw on tip of the connector with the 1.5mm Allen wrench provided.

**5:** Feed the coaxial cable through the conical nipple and flared side of the strain relief tube. Slide the conical nipple and strain relief tube down the coaxial cable.

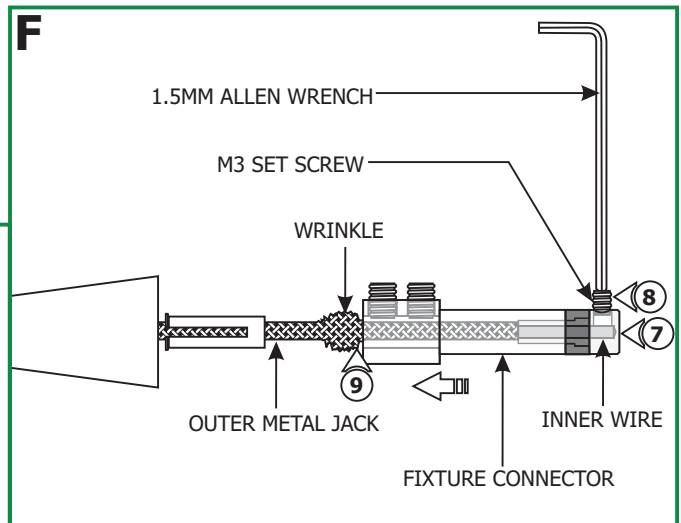


**6:** Feed the coaxial cable into the coaxial fixture connector. The coaxial cable will come to a stop point.

**7:** Keep feeding the coaxial cable in until the inner wire is visible in the screw hole of the fixture connector tip. The outer metal jacket will start to wrinkle.

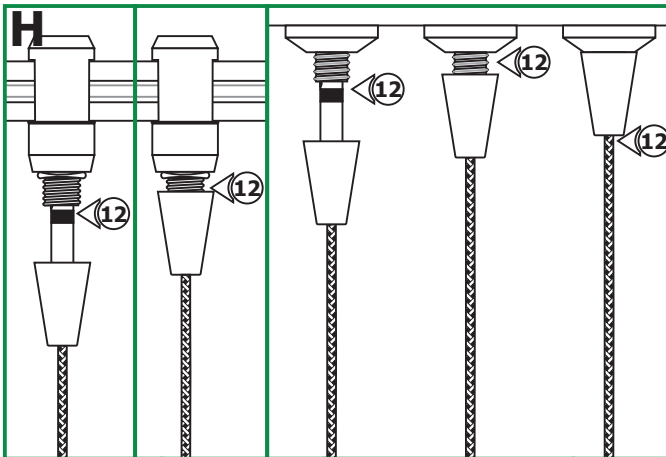
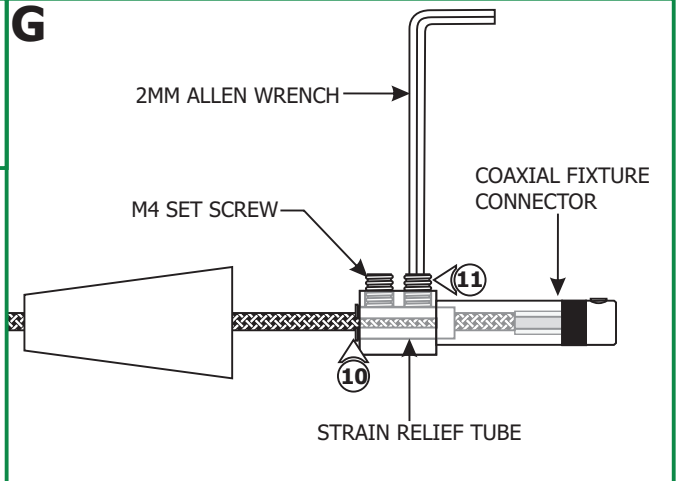
**8:** Hold the fixture connector in place. Replace and tighten the M3 set screw on fixture connector tip with the 1.5mm Allen wrench.

**9:** Pull down the outer metal jacket to smooth the wrinkles.



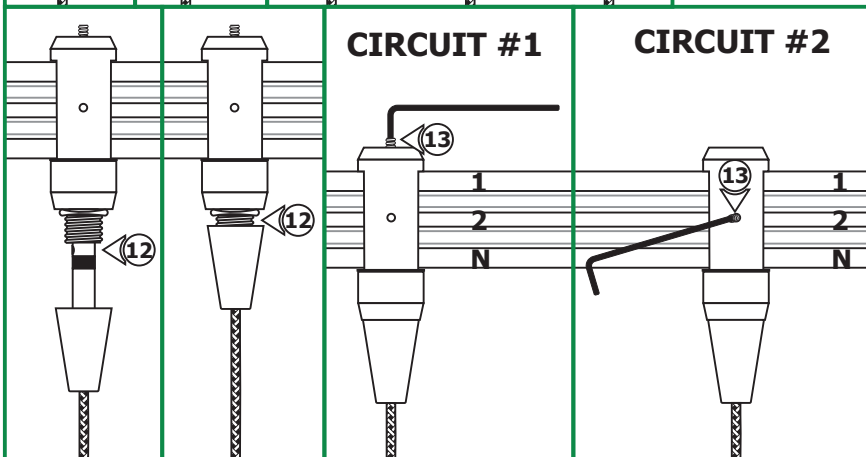
**10:** Push the strain relief tube completely into the coaxial fixture connector. Make sure the slot on the strain relief tube is not inline with the M4 set screw.

**11:** Tighten the two M4 set screws with the 2mm Allen wrench.

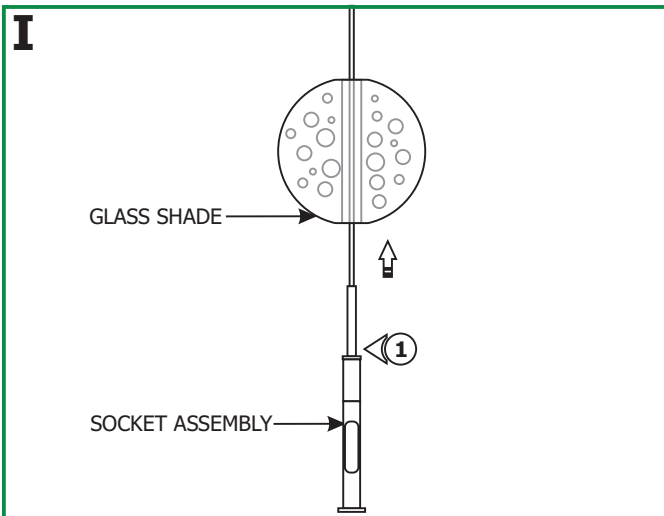


**12:** Use fingers to tighten the Fast Jack fixture connector into the Fast Jack system connector (Monorail, Monorail Wall, Monorail 2 Circuit, or multi-port and mono-point canopies. Refer to the instructions provided with the system connector or canopy).

**13:** Refer to the instructions provided with the Monorail 2 Circuit fixture connector to choose the Circuit #1 or Circuit #2.



# Install the Lamp



**CAUTION:** To reduce risk of a burn or electrical shock during lamping, disconnect the power to the fixture.

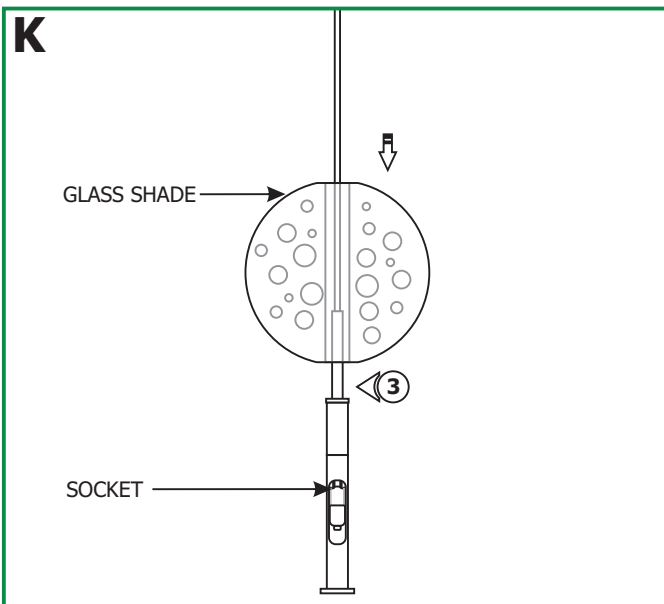
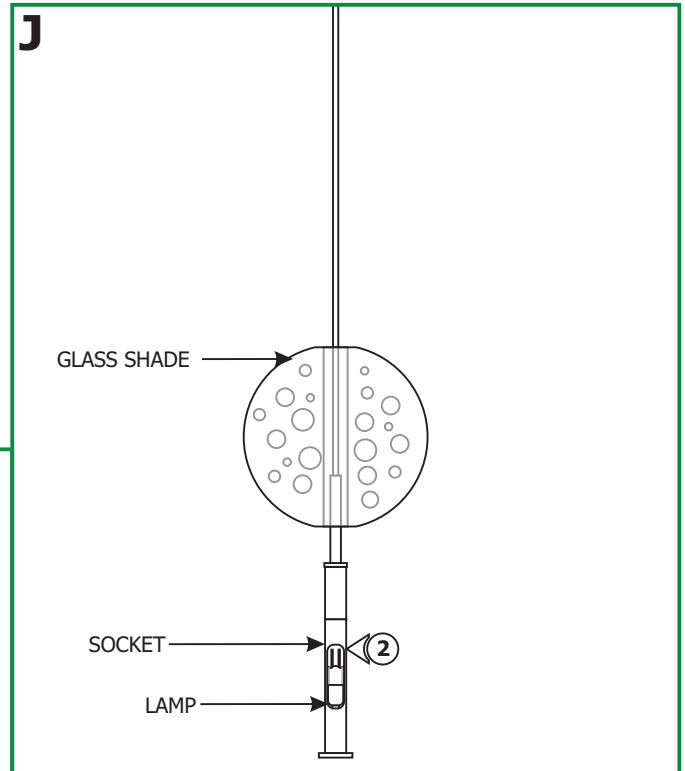
**1:** Lift the glass shade up to expose the socket assembly.

**CAUTION:** To reduce risk of a burn or electrical shock during lamping, disconnect the power to the fixture.

**NOTE:** Use only fingers and a soft cloth to install the lamps.

Use **MAX 20** Watt, Type Bi-Pin Halogen Lamp.

**2:** Push the lamp pins completely into the socket holes.



**3:** Carefully lower the glass shade onto the socket assembly.

**NOTE:** Use only a clean damp towel to clean the bubble balls. Do not use any cleaning solutions which may cause the colored bubble balls to get damaged.