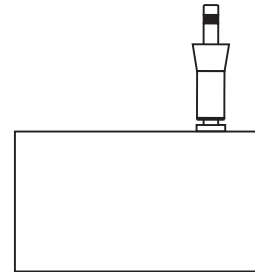


Installation Instructions for Scope LED Head

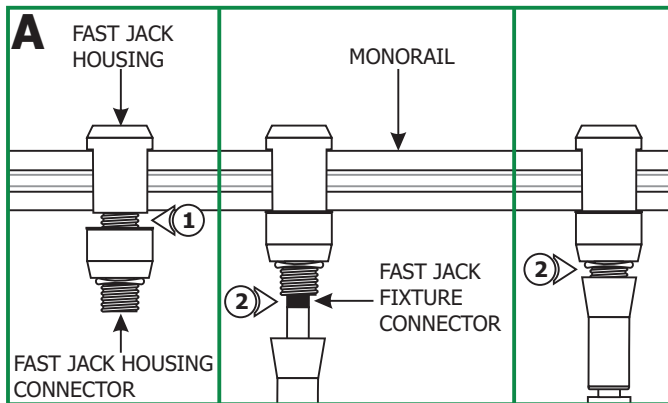
IMPORTANT INFORMATION

- This product is ETL listed for indoor dry locations.
- The product is intended to be used with Edge Lighting Monorail systems only.

SAVE THESE INSTRUCTIONS!

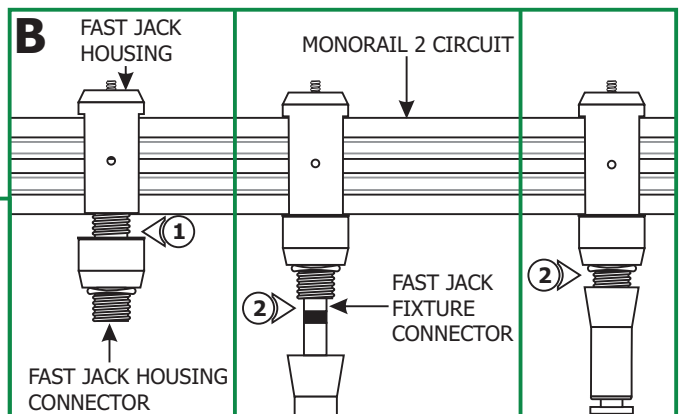


Install the Fixture to Monorail Connector (MC-FJ-)

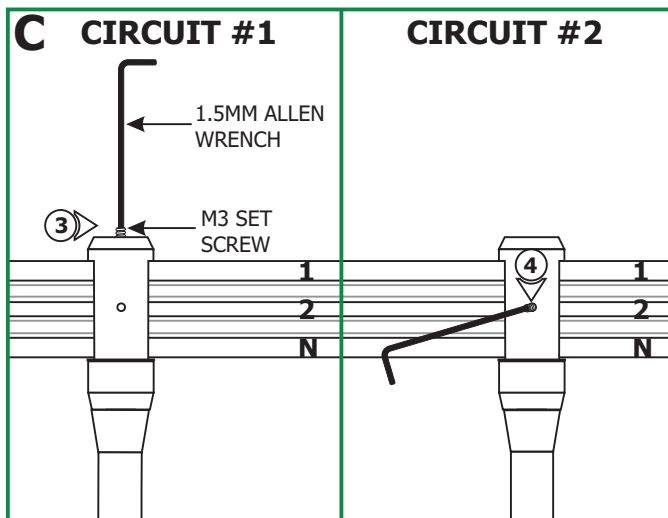


- 1: Place the Fast Jack housing onto the Monorail and use fingers to tighten the Fast Jack housing connector to the Fast Jack housing. **Make sure that the Fast Jack housing connector is not cross threaded.**
- 2: Use fingers to tighten the Fast Jack fixture connector into the Fast Jack housing connector.

Install the Fixture to Monorail 2 Circuit Connector (M2C-FJ-)



- 1: Place the Fast Jack housing onto the Monorail 2 Circuit and use finger to tighten the Fast Jack housing connector to the Fast Jack housing. **Make sure that the Fast Jack housing connector is not cross threaded.**
- 2: Use fingers to tighten the Fast Jack fixture connector into the Fast Jack housing connector.

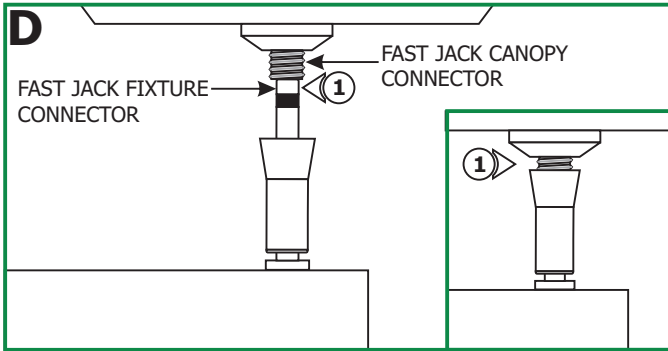


- 3: To power the fixture from circuit #1, top and bottom (neutral) rails, tighten the M3 set screw on top of the housing with the 1.5mm Allen wrench. **Make sure this set screw connection is very tight.**
- 4: To power the fixture from circuit #2, middle and bottom (neutral) rails, remove the M3 set screw from top of the housing and tighten it into the side threaded hole with the 1.5mm Allen wrench. **Make sure this set screw connection is very tight.**

NOTE: To avoid shorting the system, do not use more than one set screw to select a circuit on the Monorail 2 Circuit connector.

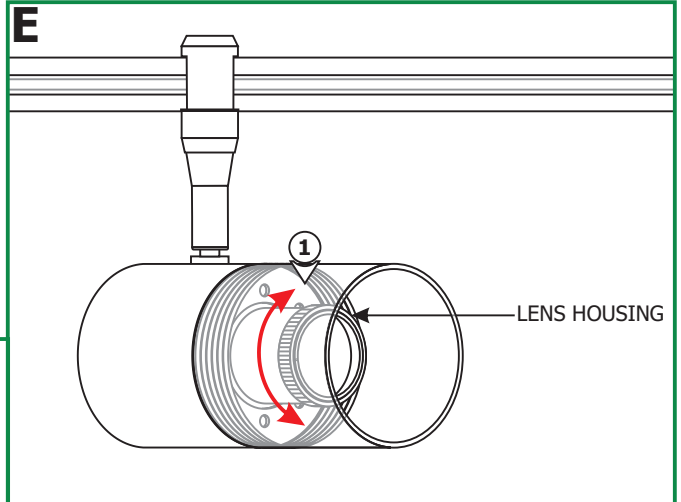
NOTE: Do not load either circuit over the maximum system rating.

Install the Fixture to Fast Jack LED Canopy (FJP-2SQ-LED_, FJP-4SQ-LED_, FJP-4RD-LED_)



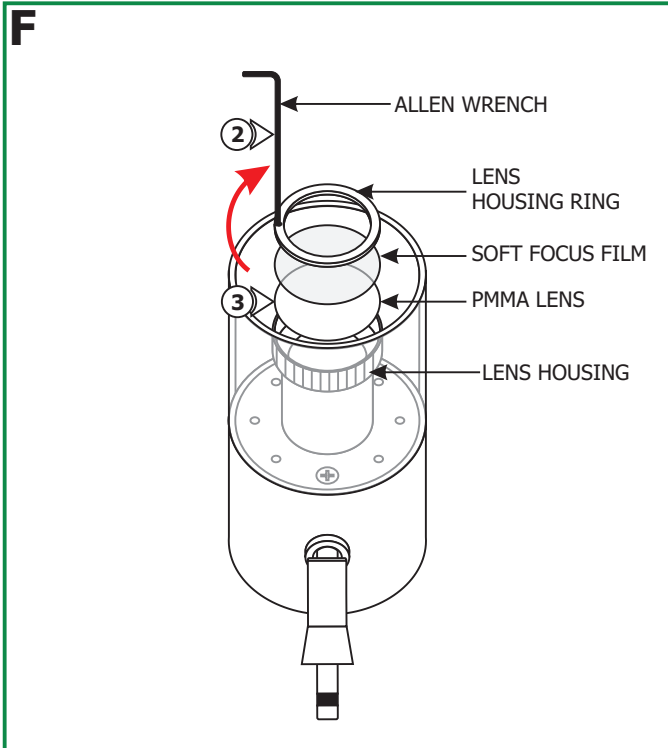
1: Use fingers to tighten the Fast Jack fixture connector into the Fast Jack canopy connector.

Adjusting the Light Beam and Light Output



1: Rotate the lens housing (inside the fixture body) and set the beam spread to either spot or flood.

NOTE: The Scope LED head consumes **10** watts and contains integrated LED lamps which are rated for 50,000 hours.



NOTE: For 15% to 20% more light output, the soft focus film can be removed, however the corners of the beam will have sharp edge. Omit these steps if not adjusting the light output.

NOTE: For color correction, use the SCO-A (sold separately) which contains two color films the 2700K (orange) and the 2500K (yellow). Refer to the instructions provided with the SCO-A.

2: Use a small Allen wrench or a pen point to loosen the lens housing ring.

3: Remove the lens housing ring, the soft focus film and the PMMA lens. Please save these items for future use.

NOTE: To reinstall the soft focus film, place the PMMA lens followed by the soft focus film and the lens housing ring. Tighten the ring with the small Allen wrench or pen point to hold the assembly in place.