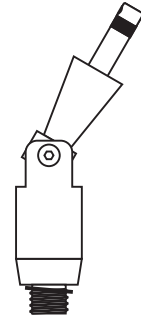


Installation Instructions for **Fast Jack Sloped Ceiling Fixture Connector**

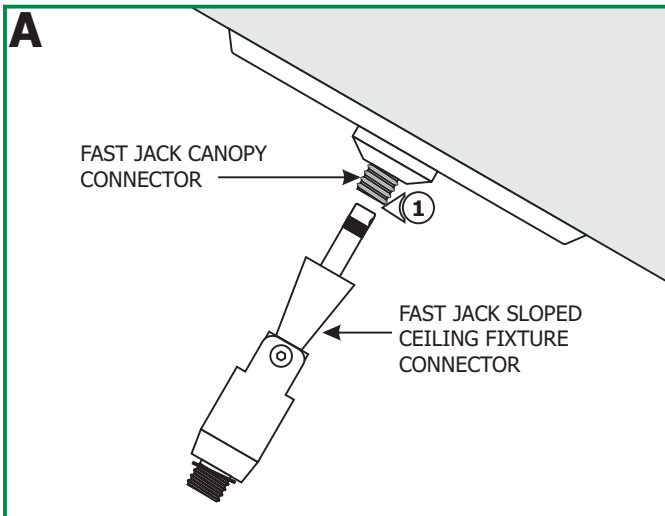
IMPORTANT INFORMATION

- This product is ETL listed for indoor dry locations.
- This product is intended to be used with Edge Lighting Fast Jack fixtures, using a mono-point or multi-port Fast Jack canopies in sloped ceiling application.

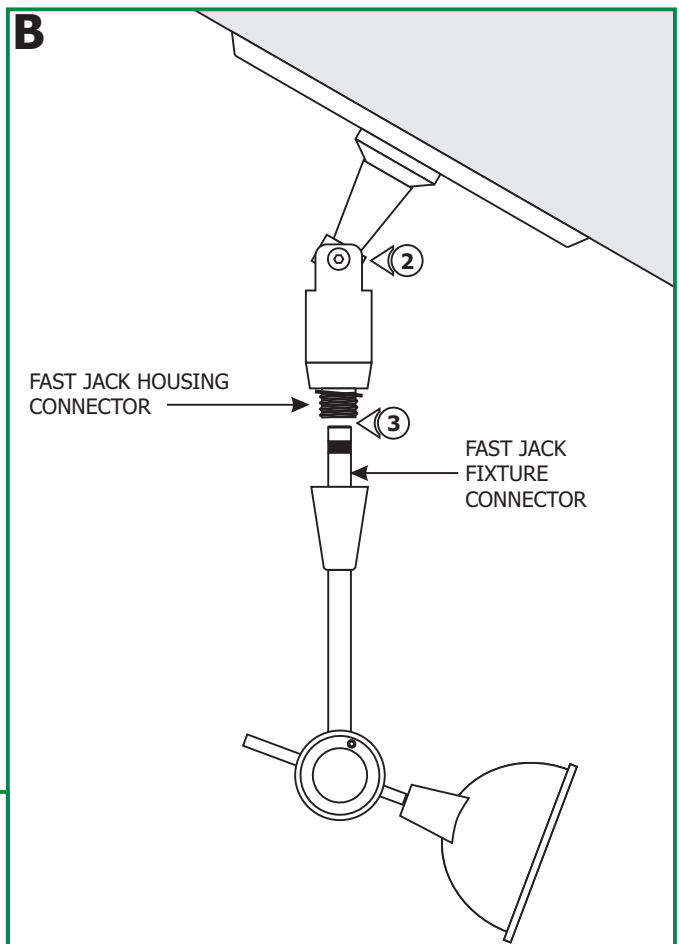
SAVE THESE INSTRUCTIONS!



Install the Fast Jack Sloped Ceiling Fixture Connector



- 1:** Use fingers to tighten the Fast Jack sloped ceiling fixture connector into the Fast Jack canopy connector.



- 2:** Rotate the Fast Jack housing connector to a vertical position.
- 3:** Use fingers to tighten the Fast Jack fixture connector into the Fast Jack housing connector.