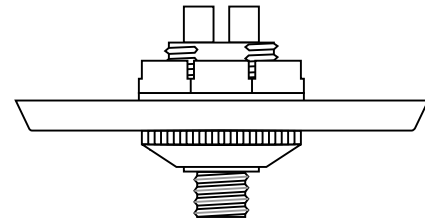


## Installation Instructions for 2" Round & Square Fast Jack LED Power Canopies w/2" Plaster Ring

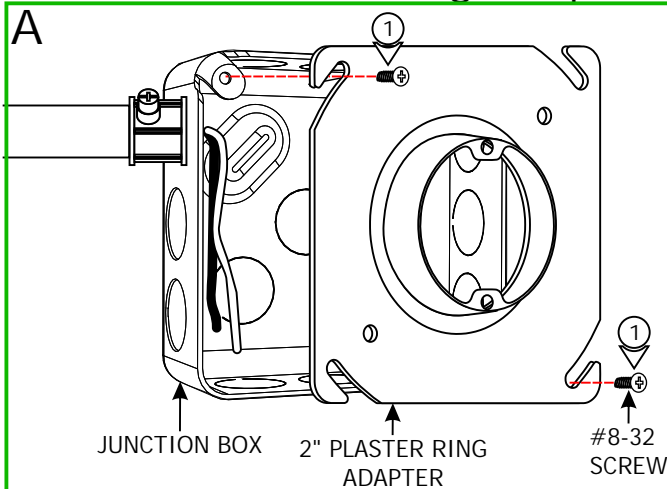
### IMPORTANT INFORMATION

- This product is ETL listed for indoor dry locations.
- This product mounts to a 4" standard electrical box or octagon electrical box using the 2" plaster ring provided.
- Minimum electrical box volume must be 6 cubic inches (98 cubic centimeters).
- This product is for use only with LED fixtures.
- For dimming information visit [www.edgelighting.com](http://www.edgelighting.com)

**SAVE THESE INSTRUCTIONS!**



### Install 2" Plaster Ring Adapter (New Construction)



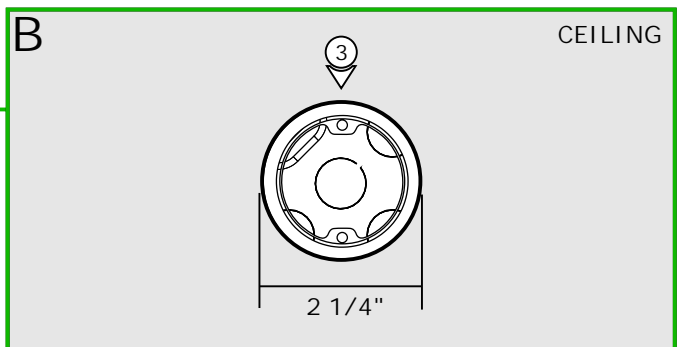
**NOTE:** Junction box must be mounted to allow clearance of 1/2" between the face of the junction box and the drywall surface.

- 1: Install the 2" Plaster Ring Adapter to the junction box using two #8-32 screws.

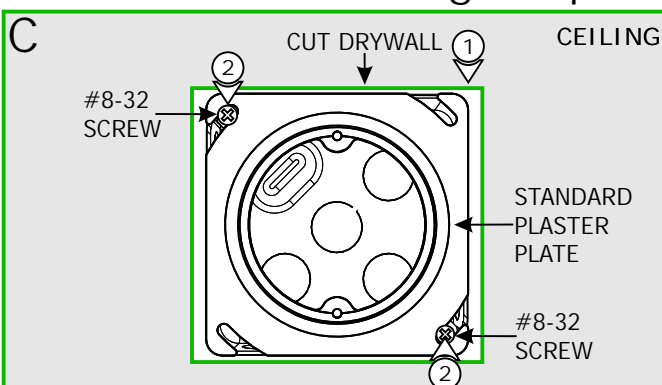
- 2: Use a circular saw to cut out the drywall section where the junction box opening is.

- 3: Install the drywall. If necessary, plaster and finish the drywall.

- 4: Complete installation per "Install Fast Jack Port" section on Page 2.

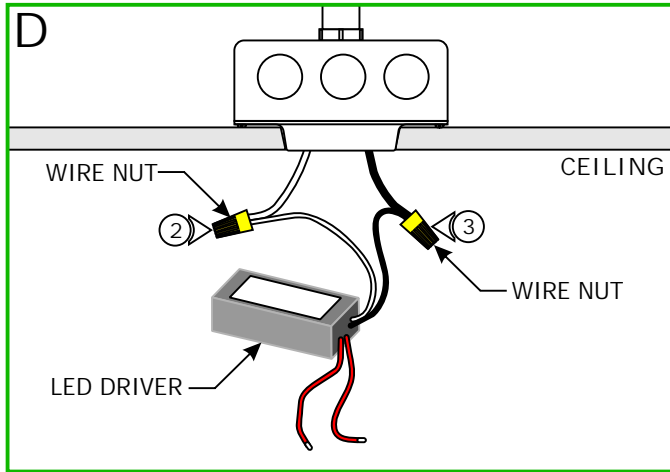


### Install 2" Plaster Ring Adapter (Remodel)



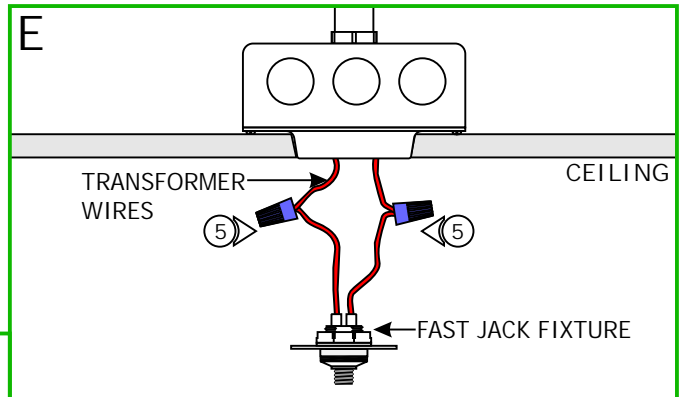
- 1: Cut away the drywall where the junction box is located.
- 2: Uninstall the standard junction box by removing the #8-32 screws.
- 3: Install the 2" Plaster Ring to the junction box using two #8-32 screws.
- 4: Plaster and finish around the junction box opening.
- 5: Finish Cable Grip installation by following steps in "Install Fast Jack Port" section.

# Install Fast Jack Port

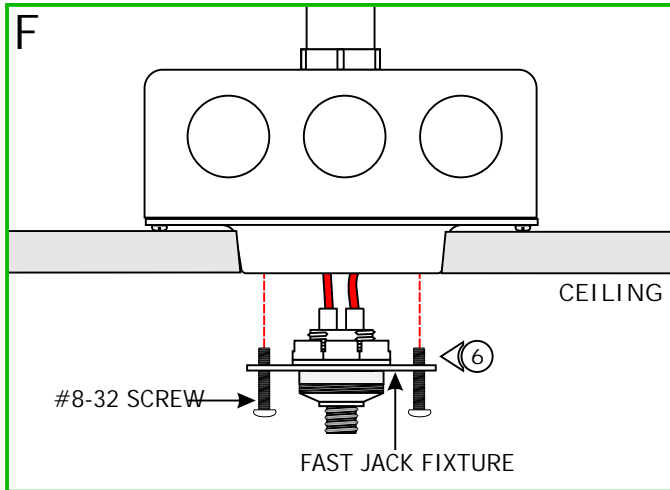


- 1: Turn the power to the junction box off.
- 2: Connect the white LED driver wire to the neutral power wire with a wire nut.
- 3: Connect the black LED driver wire to the hot power wire with a wire nut.
- 4: Place the LED driver and connections inside the junction box.

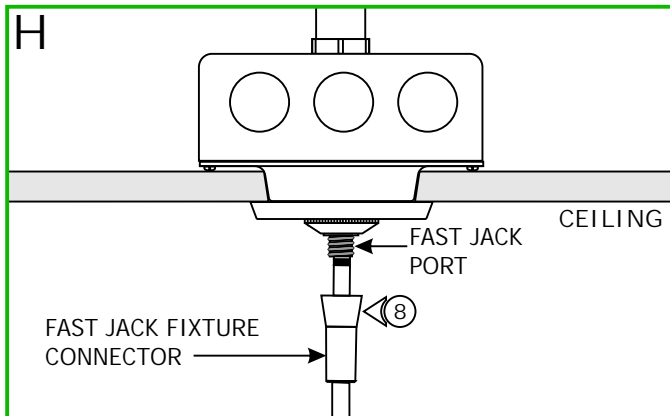
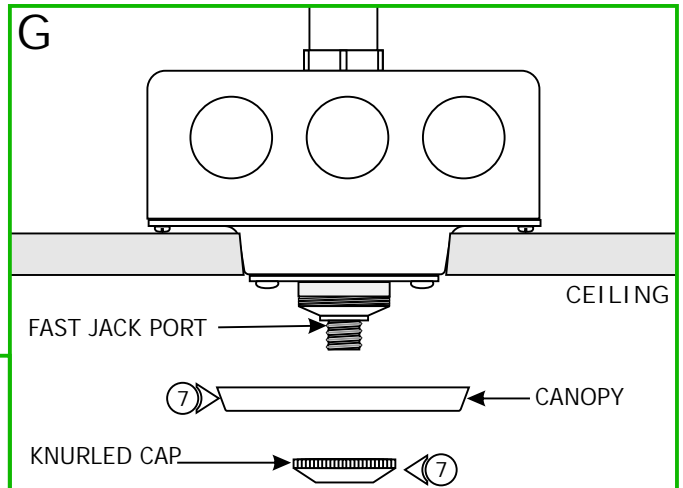
- 5: Connect each transformer wire to one Fast Jack fixture wire with a wire nut.



- 6: Place all wire and wire nut connections properly inside the junction box. Mount the Fast Jack port to the 2" Plaster Ring using two #8-32 screws provided.



- 7: Place the canopy onto the Fast Jack port against drywall and secure it in place by tightening the knurled cap to the Fast Jack port. Make sure the knurled cap is not cross threaded.



**CAUTION:** Risk of Fire: MAX load of Fast Jack LED canopy is 60 Watt.

- 8: Use fingers to tighten the Fast Jack fixture connector into the Fast Jack port.