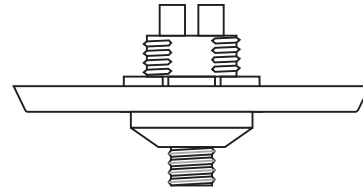


Installation Instructions for **Fast Jack Power Square 2" Flat Canopy**

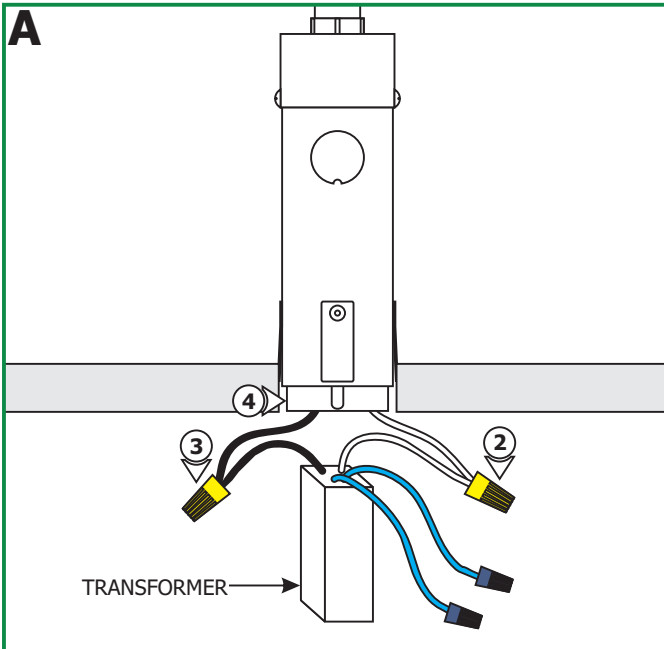
IMPORTANT INFORMATION

- This product is ETL listed for indoor dry locations.
- This product is dimmable with a standard incandescent dimmer.
- This product installs to Edge Lighting 2" electrical box only.
- Minimum electrical box volume must be 6 cubic inches (98 cubic centimeters).

SAVE THESE INSTRUCTIONS!

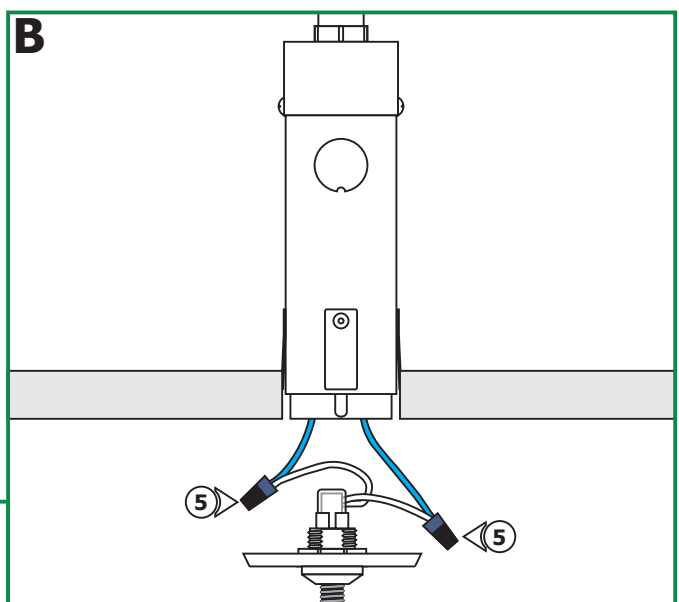


Install the Canopy



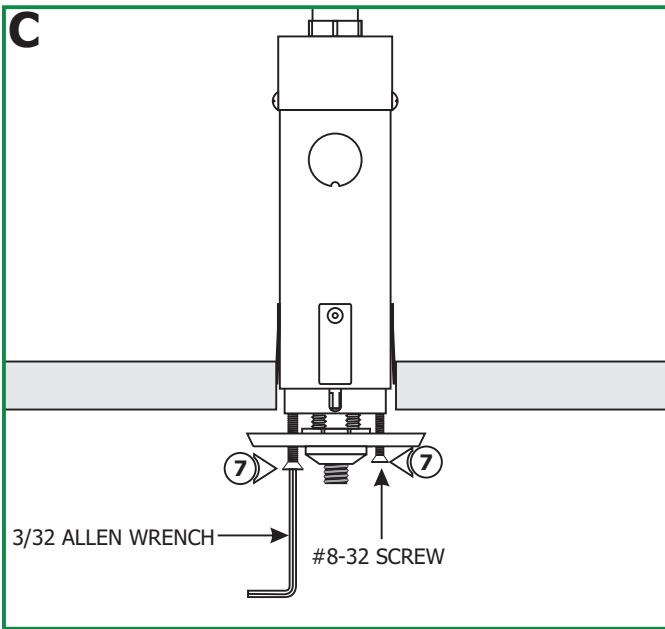
NOTE: Install the 2" electrical box before proceeding with the steps below. Refer to the instructions provided with the box.

- 1:** Turn the power to electrical box off.
- 2:** Connect the white transformer wire to the neutral power wire with a wire nut.
- 3:** Connect the black transformer wire to the hot power wire with a wire nut.
- 4:** Place the transformer and transformer wires inside the 2" electrical box.



- 5:** Connect each Fast Jack canopy wire to one low voltage transformer with a wire nut.

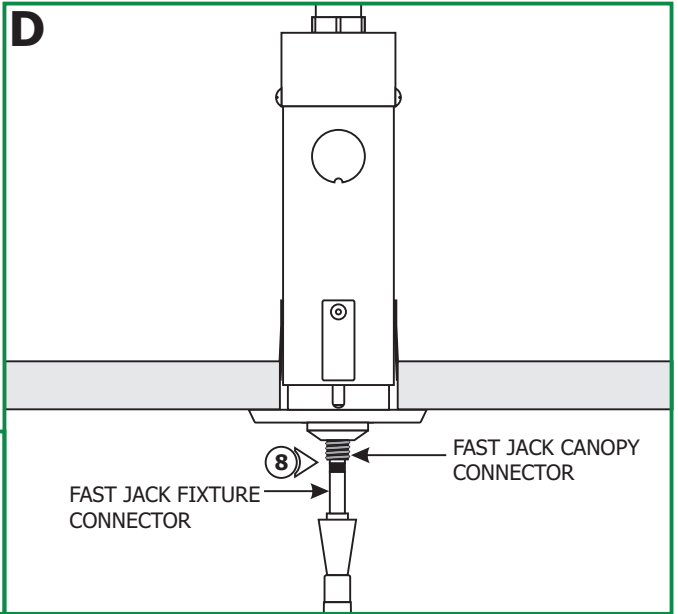
C



6: Place all wires inside the 2" electrical box.

7: Secure the Fast Jack canopy to the 2" electrical box by tightening the two provided #8-32 screws with the 3/32 Allen wrench.

D



CAUTION: Risk of Fire: MAX load of Fast Jack canopy is **75** watt.

8: Use fingers to tighten the Fast Jack fixture connector into the Fast Jack canopy connector.