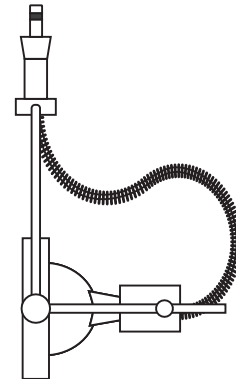


## Installation Instructions for **Harley**

### IMPORTANT SAFETY INSTRUCTIONS

To reduce the risk of fire, electrical shock, exposure to excessive UV radiation, or injury to persons:

- Use this fixture indoors only.
- Do not look directly at the lamp while the fixture is on.
- **RISK OF FIRE:** Use only the type of lamp and maximum wattage indicated in this instruction manual.
- Never cover the halogen lamp with anything other than a lamp shield provided by Edge Lighting and never place flammable material close to the fixture.
- Never turn the fixture on and off by connecting and disconnecting the halogen lamp.
- Do not touch the fixture head, shade or lamp shield while the fixture is on. These surfaces may be **VERY HOT**.
- Do not touch lamp at anytime. Use a soft cloth. Oil from skin may damage lamp.
- It is normal for a new halogen lamp to produce minor smoke when first turned on.
- Do not operate the luminaire with a missing or damaged shield.
- Turn power off and allow to cool before replacing lamp.



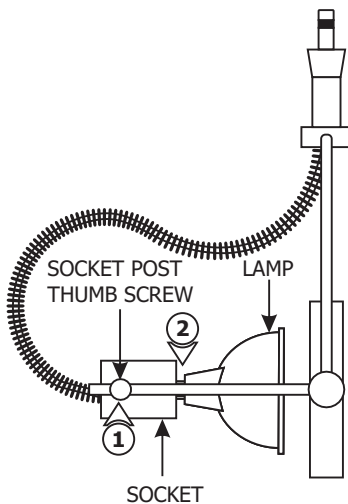
### IMPORTANT INFORMATION

- This product is ETL listed for indoor dry locations.
- This product is not restricted to certain height installation. It is approved to be used at any height above the floor.
- Applicable accessories are Hexcell Louver, Glass Lenses, Gobo Holder, MR16 Snoot and Scope.

**SAVE THESE INSTRUCTIONS!**

## Install the Lamp

**A**



**CAUTION:** To reduce risk of a burn or electrical shock during lamping, disconnect the power to the fixture.

- 1: Loosen the thumb screws on the socket post and pull the socket back.

Use **MAX 75** Watt, Type MR16 Front Glass Cover Halogen Lamp.



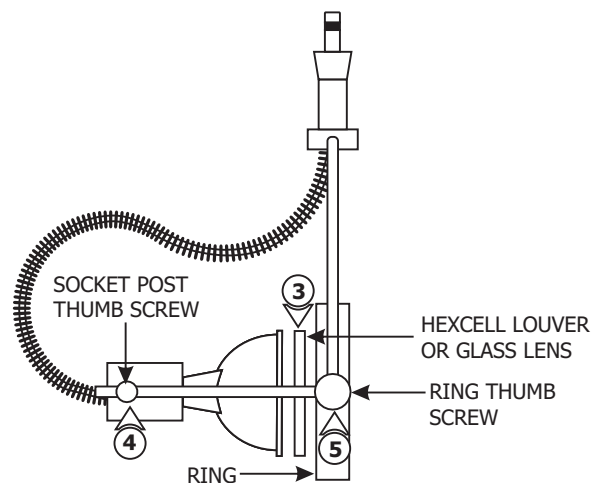
- 2: Push the lamp pins completely into the socket holes.

- 3: Place optional glass lens or hexcell louver into the ring.

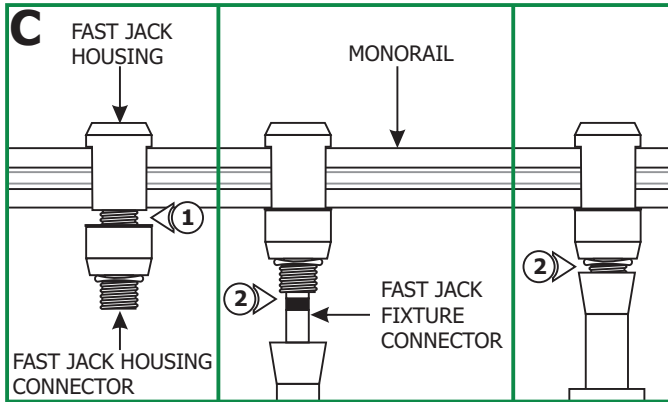
- 4: Slide the socket forward to secure the lamp and accessory against the ring, and tighten the thumb screws.

- 5: To rotate the fixture, loosen the ring thumb screws. Rotate the ring to the desired position and then tighten the thumb screws.

**B**



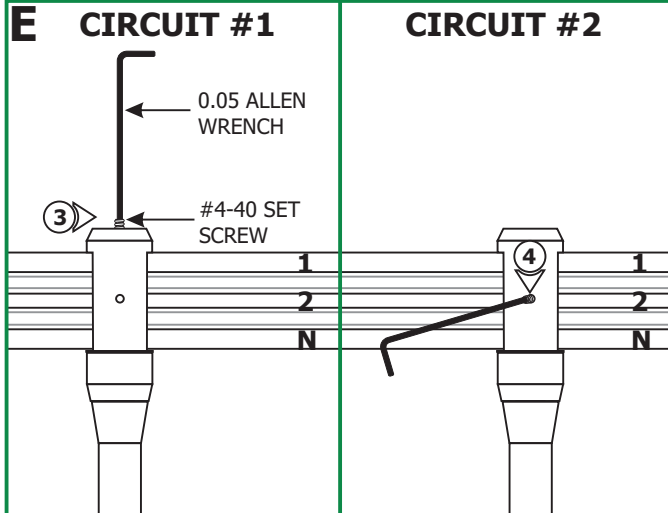
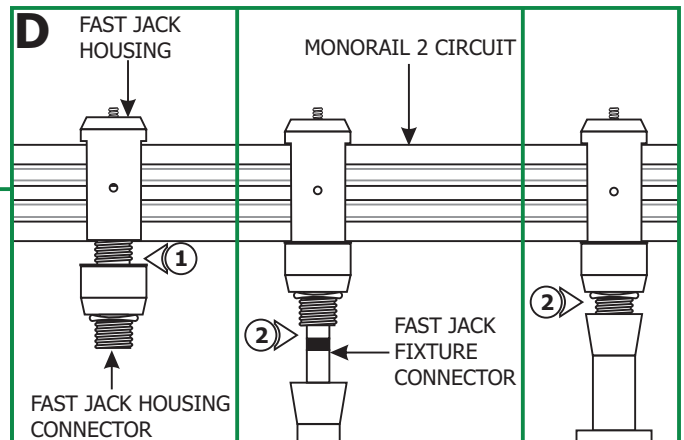
## Install the Fixture to Monorail Connector (MC-FJ-\_)



- 1: Place the Fast Jack housing onto the Monorail and use fingers to tighten the Fast Jack housing connector to the Fast Jack housing. **Make sure that the Fast Jack housing connector is not cross threaded.**
- 2: Use fingers to tighten the Fast Jack fixture connector into the Fast Jack housing connector.

## Install the Fixture to Monorail 2 Circuit Connector (M2C-FJ-\_)

- 1: Place the Fast Jack housing onto the Monorail 2 Circuit and use fingers to tighten the Fast Jack housing connector to the Fast Jack housing. **Make sure that the Fast Jack housing connector is not cross threaded.**
- 2: Use fingers to tighten the Fast Jack fixture connector into the Fast Jack housing connector.



- 3: To power the fixture from circuit #1, top and bottom (neutral) rails, tighten the #4-40 set screw on top of the housing with the 0.05 Allen wrench. **Make sure this set screw connection is very tight.**
- 4: To power the fixture from circuit #2, middle and bottom (neutral) rails, remove the #4-40 set screw from top of the housing and tighten it into the side threaded hole with the 0.05 Allen wrench. **Make sure this set screw connection is very tight.**

**NOTE:** To avoid shorting the system, do not use more than one set screw to select a circuit on the Monorail 2 Circuit connector.

**NOTE:** Do not load either circuit over the maximum system rating.

## Install the Fixture to Fast Jack Canopy (FJP-2SQ-\_, FJP-4SQ-\_, FJP-4RD-\_)

- 1: Use fingers to tighten the Fast Jack fixture connector into the Fast Jack canopy connector.

