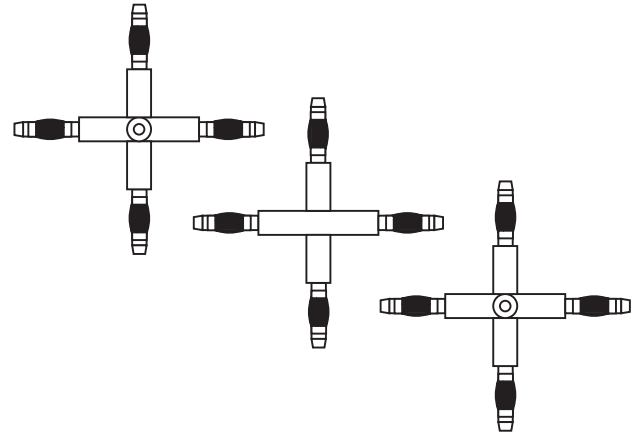


Installation Instructions for Monorail 2 Circuit "X" Conductive Connector

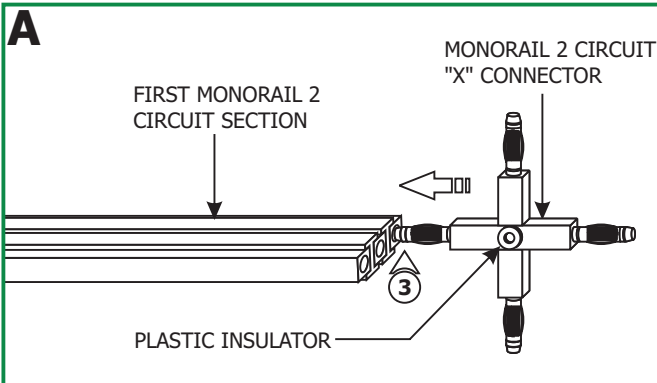
IMPORTANT INFORMATION

- This product is ETL listed for indoor dry locations.
- This product joins and electrically conducts four Monorail 2 Circuit sections end to end at 90° angles.
- The product is intended to be used with Edge Lighting Monorail 2 Circuit systems only.

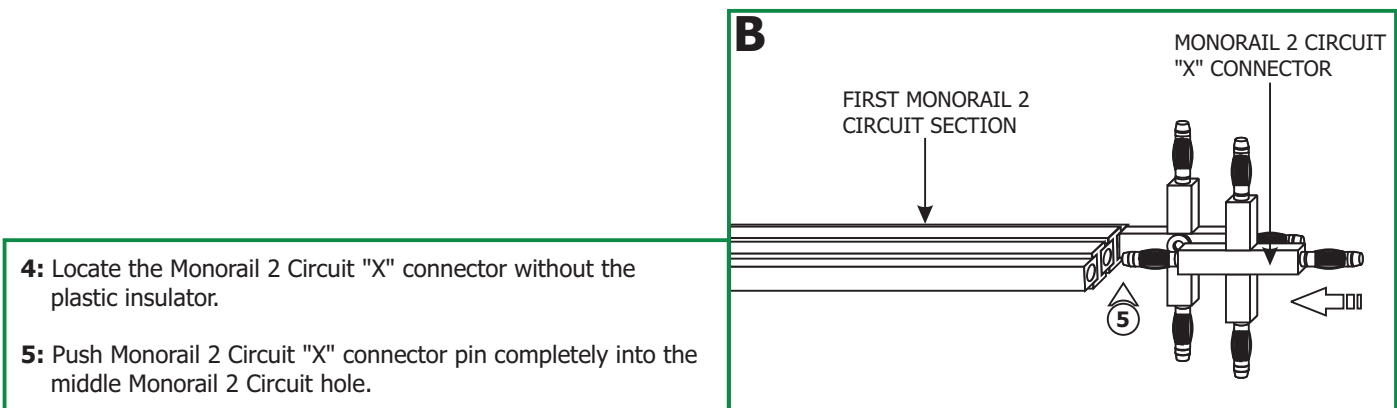
SAVE THESE INSTRUCTIONS!



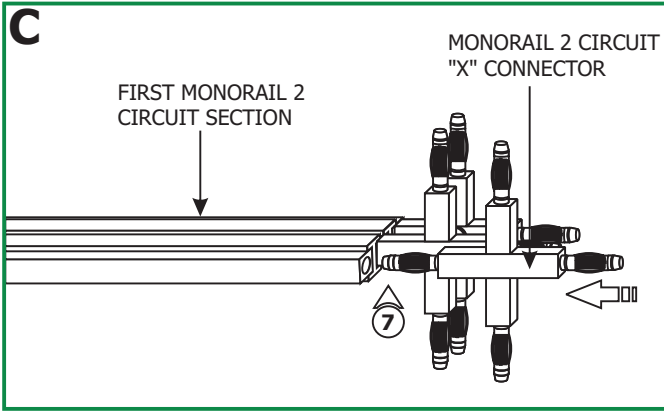
Install the Monorail 2 Circuit "X" Connector



- 1: Locate one Monorail 2 Circuit "X" connector with the plastic insulator.
- 2: Orient the Monorail 2 Circuit "X" connector so that the plastic insulator is facing inside the Monorail 2 Circuit.
- 3: Push the Monorail 2 Circuit "X" connector pin completely into one of the outer Monorail 2 Circuit holes. **Make sure this Monorail 2 Circuit section is secured with the standoffs (Refer to the instructions provided with the standoffs).**



- 4: Locate the Monorail 2 Circuit "X" connector without the plastic insulator.
- 5: Push Monorail 2 Circuit "X" connector pin completely into the middle Monorail 2 Circuit hole.



6: Orient the other Monorail 2 Circuit "X" connector with plastic insulator so that the plastic insulator is facing inside the Monorail 2 Circuit.

7: Push the Monorail 2 Circuit "X" connector pin completely into last Monorail 2 Circuit hole. **Make sure this Monorail 2 Circuit section is secured with the standoffs (Refer to the instructions provided with the standoffs).**

8: Push the second Monorail 2 Circuit section completely onto the Monorail 2 Circuit "X" connector pins and simultaneously connect this Monorail 2 Circuit to the standoffs.

9: Repeat step 8 for the third and fourth Monorail 2 Circuit sections.

