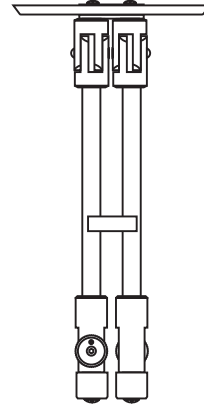


## Installation Instructions for Monorail 2 Circuit Sloped Ceiling 4" Round Extended Dual Power Feed Canopy

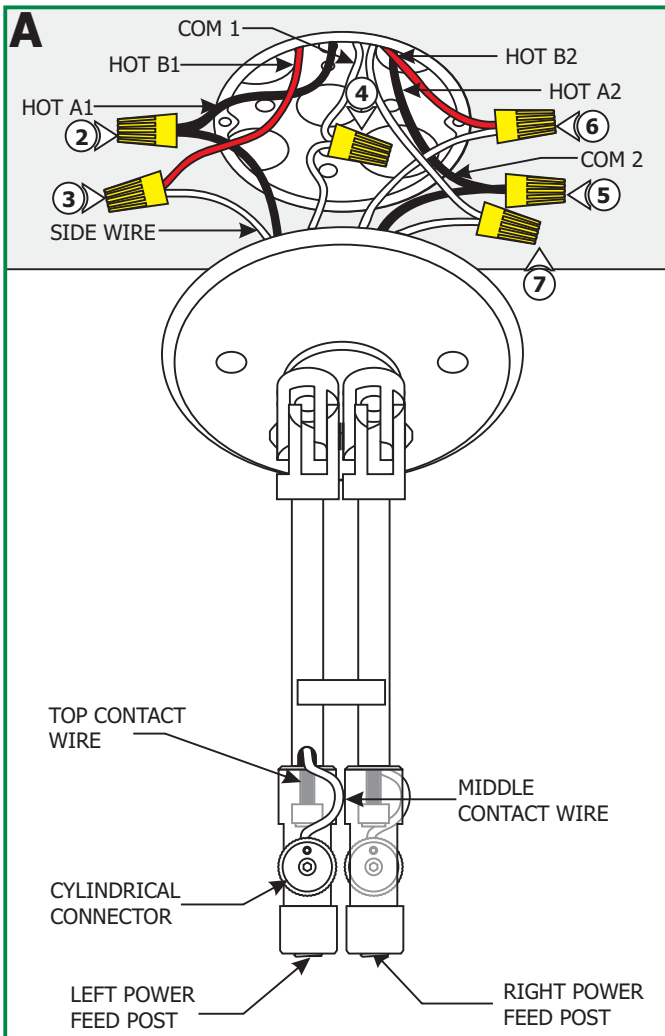
### IMPORTANT INFORMATION

- This product is ETL listed for indoor dry locations.
- This product can be installed to a 4" electrical box with round plaster ring, or to an octagon electrical box.
- Minimum electrical box volume must be 6 cubic inches (98 cubic centimeters).
- This product should be installed by a qualified electrician.

**SAVE THESE INSTRUCTIONS!**



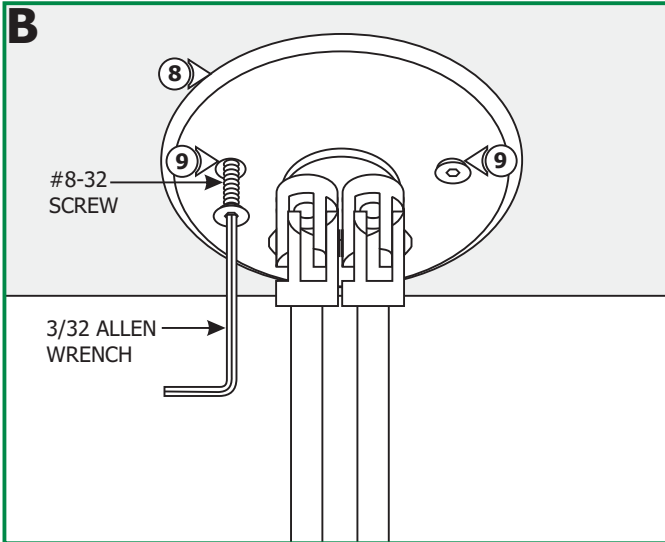
## Install the Canopy



**NOTE:** Use the universal round crossbar (provided) if the electrical box holes are not spaced 2-3/4" apart.

**NOTE:** The low voltage wires should be present in the electrical box. Refer to the instructions provided with the remote transformer to install the transformer and the low voltage wires before proceeding with the steps below.

- 1: Turn the power to electrical box off.
- 2: Starting with the left power feed post, connect the top contact wire (black wire) to the low voltage wire marked "HOT A1" with a wire nut.
- 3: Connect the middle contact wire (coming out of the cylindrical connector) to the low voltage wire marked "HOT B1" with a wire nut.
- 4: Connect the remaining side wire to the low voltage wire marked "COM 1" with a wire nut.
- 5: Continue with the right power feed post, connect the top contact wire (black wire) to the low voltage wire marked "HOT A2" with a wire nut.
- 6: Connect the middle contact wire (coming out of the cylindrical connector) to the low voltage wire marked "HOT B2" with a wire nut.
- 7: Connect the remaining side wire to the low voltage wire marked "COM 2" with a wire nut.

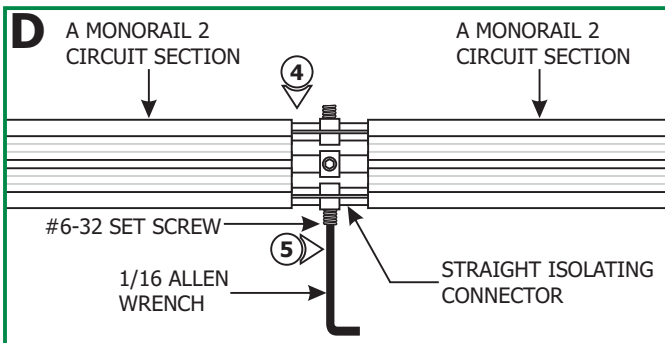
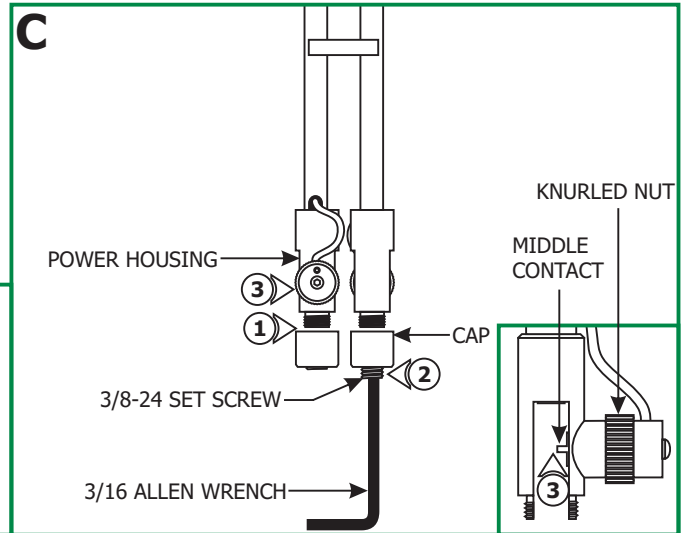


**8:** Place all wires inside the electrical box.

**9:** Secure the power feed canopy to the electrical box by tightening the two provided #8-32 screws with the 3/32 Allen wrench.

## Install the Monorail 2 Circuit to the Power Feed Canopy

- 1:** Unscrew the caps from power housings.
- 2:** Slightly loosen the 3/8-24 set screw on each cap with the 3/16 Allen wrench provided, **(DO NOT REMOVE THEM)**.
- 3:** Slightly loosen the knurled nut on each power housing so that the middle contacts move back and clear the opening on each power housing.



**4:** Push the straight isolating connectors completely into one Monorail 2 Circuit section end and push the other Monorail 2 Circuit section entirely onto the straight isolating connectors.

**5:** Tighten the #6-32 set screw on each of the isolating connectors firmly with the 1/16 Allen wrench. **Do not over tighten the set screws as this may strip the threads.**

- 6:** Place the Monorail 2 Circuit sections into the power housings. **Make sure that the straight isolating connectors are in the middle between the power housings. Make sure that the Monorail 2 Circuit sections are supported by the sloped standoffs.** Refer to the instructions provided with the sloped standoffs.
- 7:** Tighten the caps to the power housings. **Make sure the caps are not cross threaded.**
- 8:** Tighten the 3/8-24 set screw on each cap firmly with the 3/16 Allen wrench for proper power connection.
- 9:** Tighten the knurled nuts firmly for proper power connection.
- 10:** Slide the spacer(s) onto the power feed extended rods evenly. Do not remove the spacer(s) which may cause the power feed housings come into contact and electrically short.

