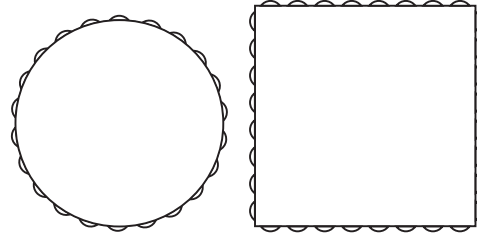


## Installation Instructions for Marilyn Round & Square

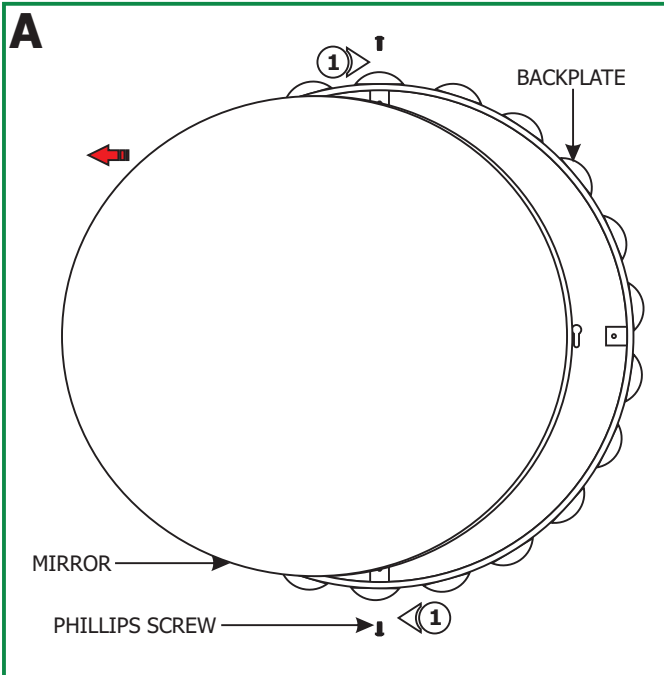
### IMPORTANT INFORMATION

- This product is wall mounted only.
- This instruction shows a typical installation
- This Fluorescent lamps are not dimmable.

**SAVE THESE INSTRUCTIONS!**

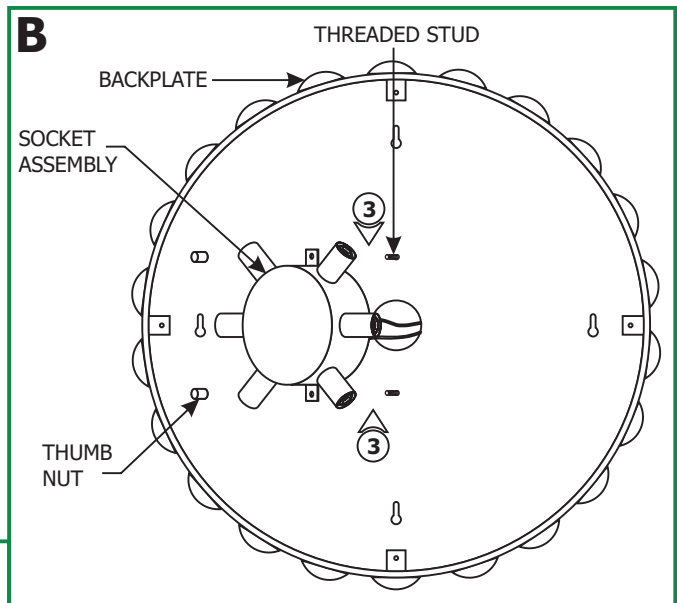


## Install the Backplate

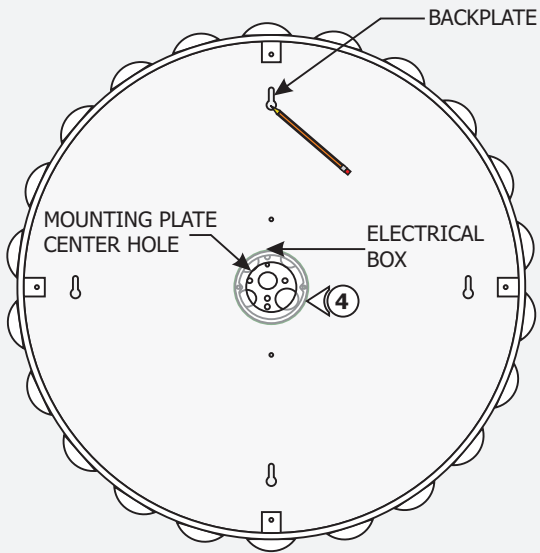


**1:** Remove the two Phillips screws from the sides of the backplate.

**2:** Carefully remove the mirror.



**3:** Remove the thumb nuts, and carefully remove the socket assembly.

**C**

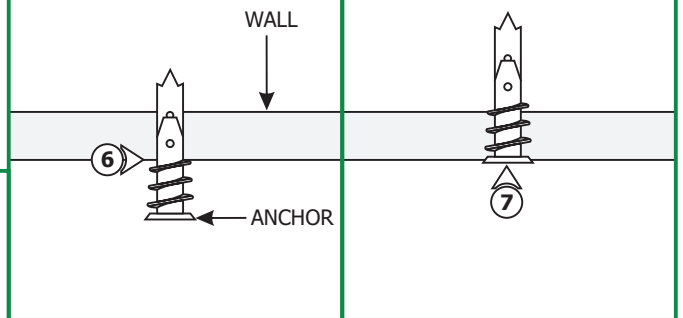
**NOTE:** It is recommended that one person holds the backplate while the electrician installs it.

**4:** Align the backplate center hole with the electrical box. Level the backplate horizontally and mark the four key holes onto the wall.

**5:** Remove the backplate.

**6:** Tap the anchors onto the marked points up to the threaded portion with a hammer.

**7:** Screw in the threaded portion of the anchors with a Phillips screwdriver.

**D****E**

PHILLIPS SCREW

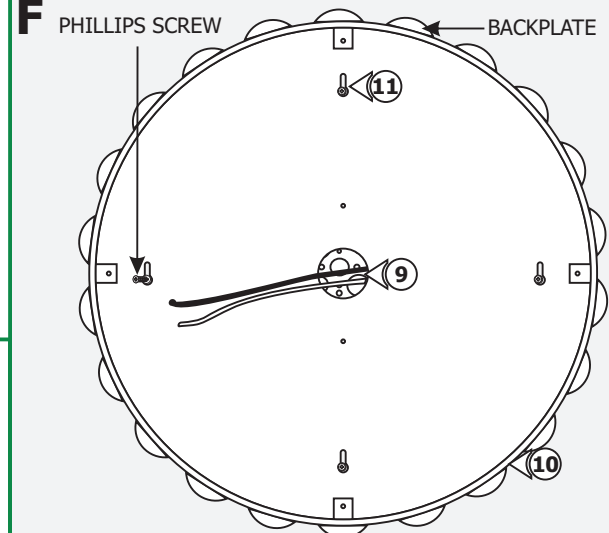


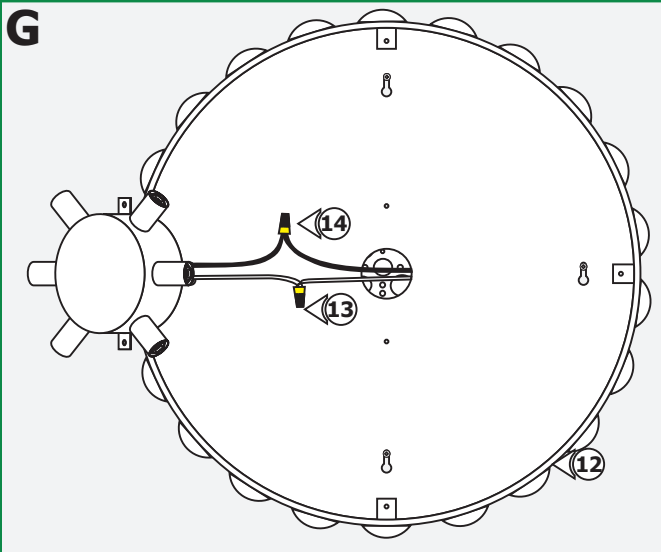
**8:** Tighten (not completely) the four #8 screws into the anchors leaving the head unscrewed for 1/8".

**9:** Feed the power wires coming from the electrical box through the backplate center hole.

**10:** Hang the backplate keyholes onto the exposed screws.

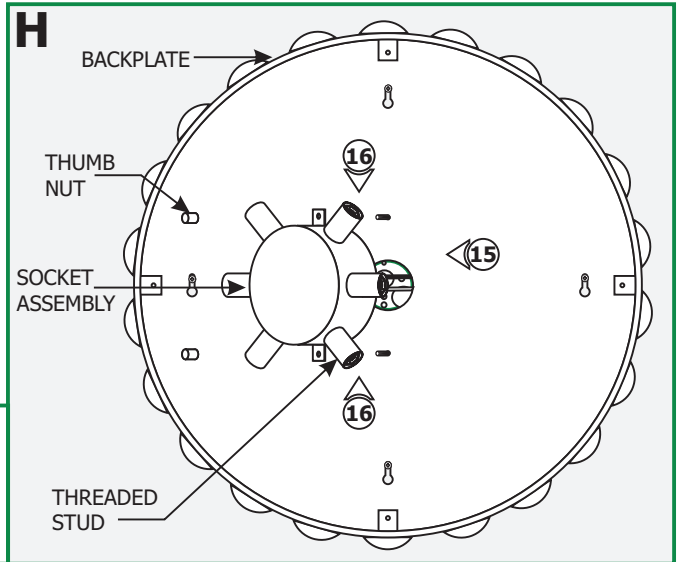
**11:** Tighten the four #8 screws completely to secure the backplate in place.

**F**

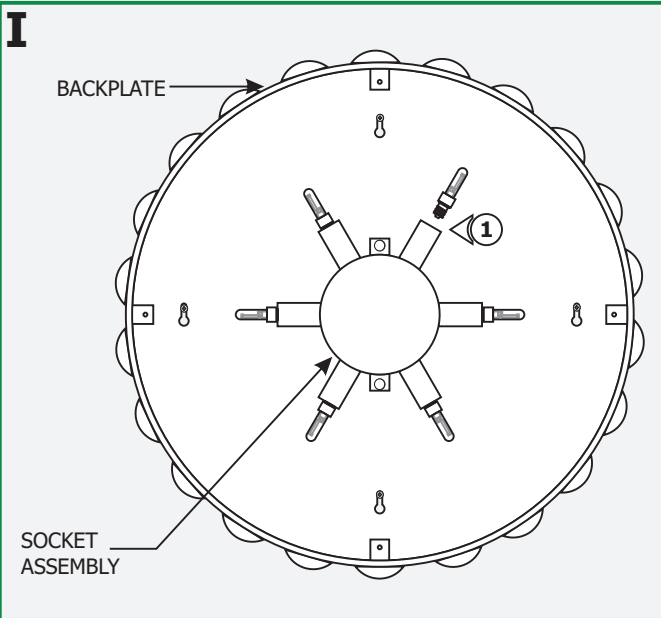


- 12:** Make sure that the backplate is grounded in accordance with local electrical codes.
- 13:** Connect the white socket assembly wire to neutral power wire with a wire nut.
- 14:** Connect the black socket assembly wire to the hot power wire with a wire nut.

- 15:** Place all wires inside the electrical box and socket assembly.
- 16:** Mount the socket assembly to the backplate threaded studs with the thumb nuts.



## Install the Lamp & Mirror



**CAUTION:** To reduce risk of a burn or electrical shock during lamping, disconnect the power to the fixture.

Use **MAX 20** Watt Type E12 Candelabra base Krypton/Xenon For Each Socket.



Use **MAX 18** Watt Type E12 Candelabra base Self Ballast Compact Fluorescent Spiral Lamp For Each Socket.



- 1:** Screw the lamps completely into the sockets.

- 2:** Align the mirror brackets to the backplate brackets. Place the mirror into the backplate and tighten the Phillips screws to secure the mirror in place.

