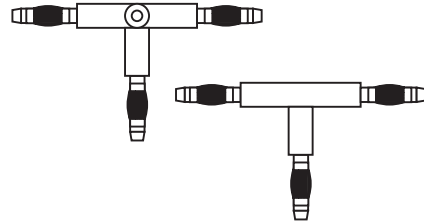


Installation Instructions for Monorail "T" Conductive Connector

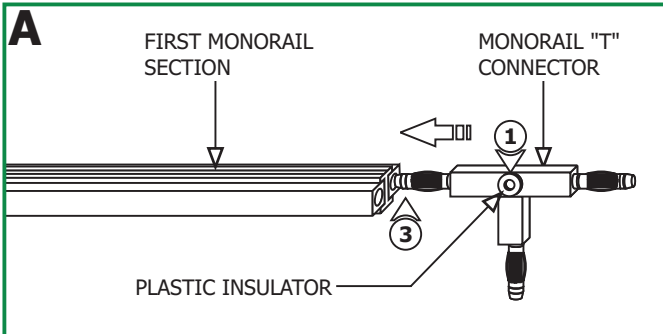
IMPORTANT INFORMATION

- This product is ETL listed for indoor dry locations.
- This product joins and electrically conducts three Monorail sections end to end at 90° angles.
- The product is intended to be used with Edge Lighting Monorail systems only.

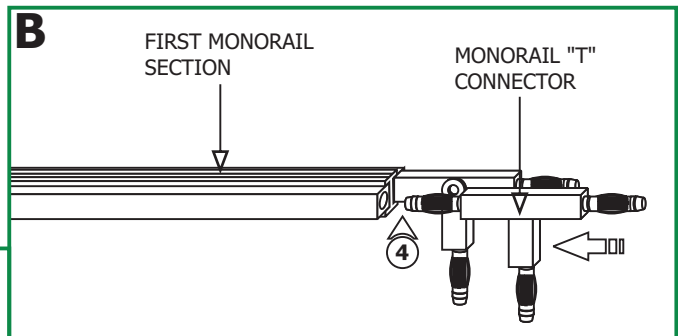
SAVE THESE INSTRUCTIONS!



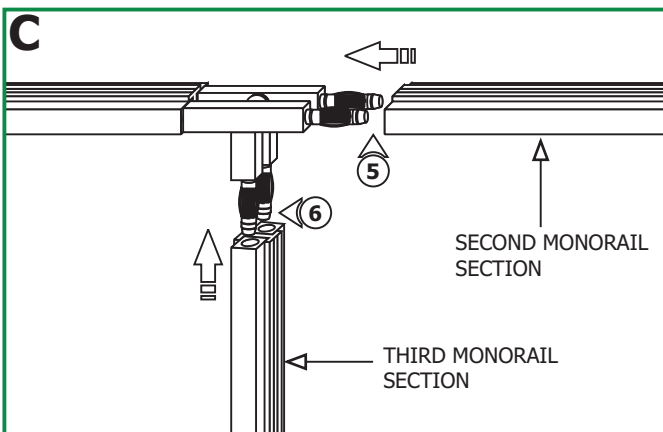
Install the Monorail "T" Connector



- 1: Locate the Monorail "T" connector with the plastic insulator.
- 2: Orient the Monorail "T" connector so that the plastic insulator is facing inside the Monorail.
- 3: Push the Monorail "T" connector pin completely into one Monorail hole. **Make sure this Monorail section is secured with the standoffs (Refer to the instructions provided with the standoffs).**



- 4: Push the other Monorail "T" connector pin completely into the other Monorail hole.



- 5: Push the second Monorail section completely onto the Monorail "T" connector pins and simultaneously connect this Monorail to the standoffs.
- 6: Repeat step 5 for the third Monorail section.