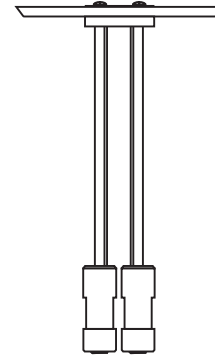


Installation Instructions for Monorail 4" Round Dual Power Feed Canopy With 12' Adjustable Power Feed Wires

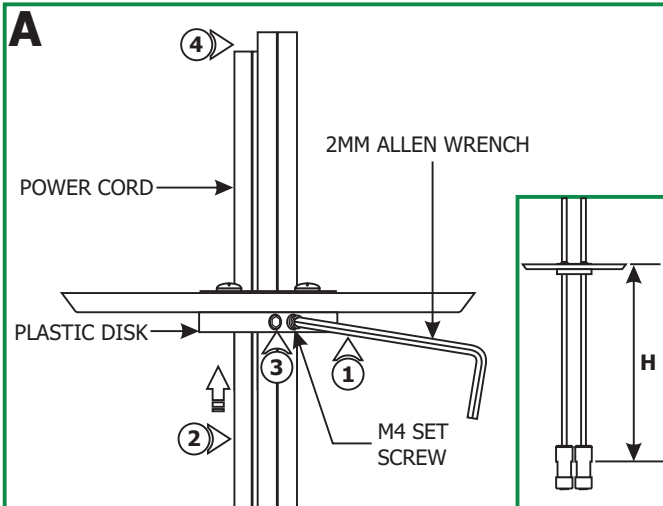
IMPORTANT INFORMATION

- This product is ETL listed for indoor dry locations.
- This product can be installed to a 4" electrical box with round plaster ring, or to an octagon electrical box.
- Minimum electrical box volume must be 6 cubic inches (98 cubic centimeters).
- This product should be installed by a qualified electrician.

SAVE THESE INSTRUCTIONS!

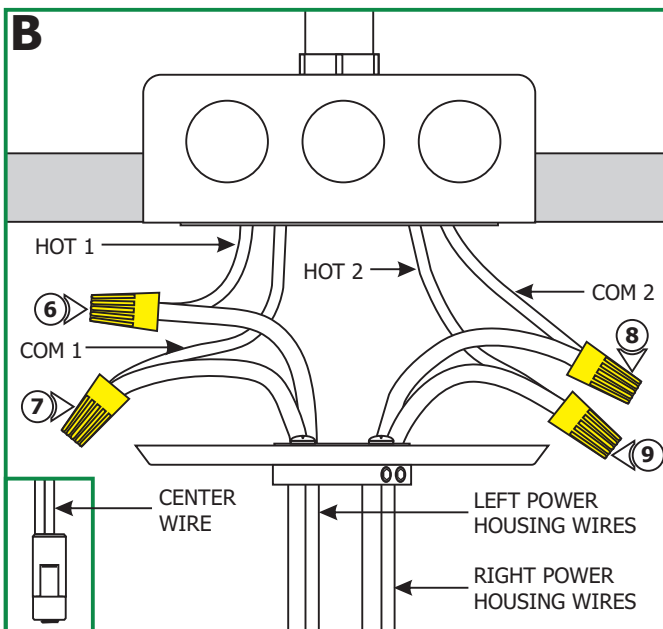


Install the Canopy



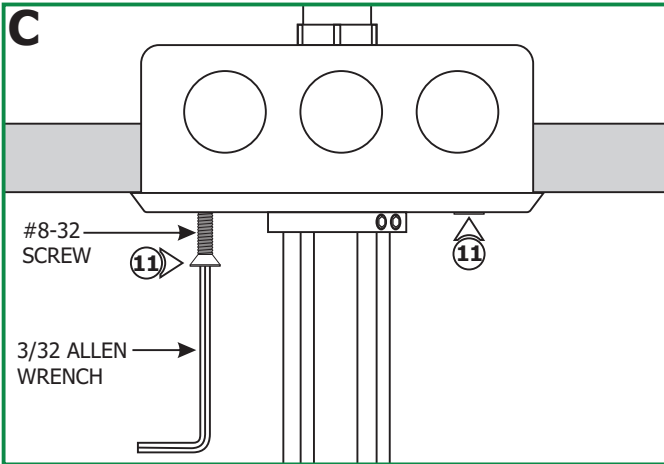
- 1: Loosen the four M4 set screws on the plastic disk with the 2 mm Allen wrench provided.
- 2: Adjust the power feed wires to the desired height (from top of the canopy to top of the Monorail - Illustrated as "H" in diagram A) by pushing the power feed wires into the canopy.
- 3: Tighten the four M4 set screws firmly with the 2mm Allen wrench.
- 4: Leave at least 6" of the power feed wires behind the canopy. Trim off the excess power feed wires with a sharp cutter. Strip 1/4" of insulation off of the power feed wires.

NOTE: Use the universal round crossbar (provided) if the electrical box holes are not spaced 2-3/4" apart.



NOTE: The low voltage wires should be present in the electrical box. Refer to the instructions provided with the remote transformer to install the transformer and the low voltage wires before proceeding with the steps below.

- 5: Turn the power to electrical box off.
- 6: Starting with left power housing, connect the wire that is attached to the center contact to the transformer wire marked "HOT 1" with a wire nut.
- 7: Connect the remaining wire of the left power housing to the transformer wire marked "COM 1" with a wire nut.
- 8: Connect the wire of the right power housing that is attached to the center contact to the transformer wire marked "HOT 2" with a wire nut.
- 9: Connect the remaining wire of the right power housing to the last transformer wire marked "COM 2" with a wire nut.

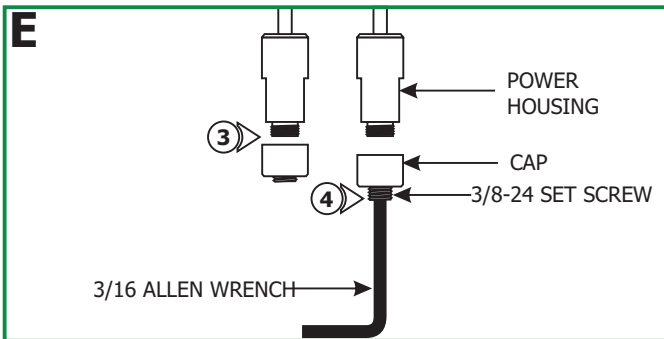
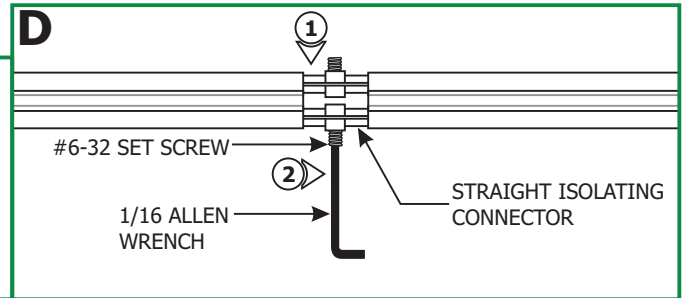


10: Place all wires inside the electrical box.

11: Secure the power feed canopy to the electrical box by tightening the two provided #8-32 screws with the 3/32 Allen wrench.

Install the Power Feed Canopy Wires to Monorail

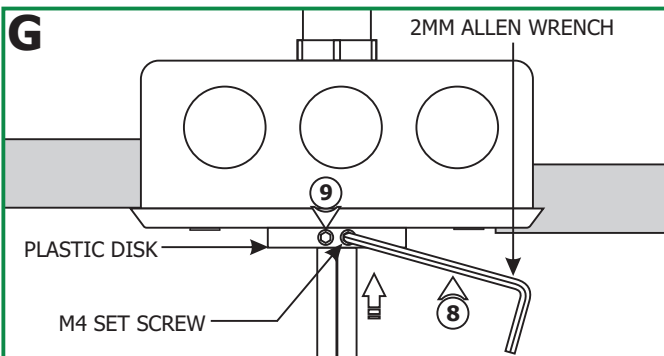
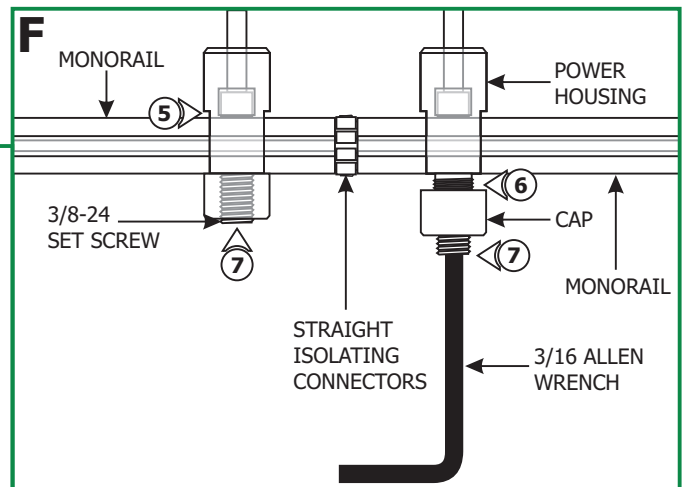
- 1:** Push the straight isolating connectors completely into one Monorail section end and push the other Monorail section entirely onto the straight isolating connectors.
- 2:** Tighten the #6-32 set screw on the isolating connectors firmly with the 1/16 Allen wrench. **Do not over tighten the set screws as this may strip the threads.**



3: Remove the caps from the power housings.

4: Slightly loosen the 3/8-24 set screw on the caps with the 3/16 Allen wrench provided, **DO NOT REMOVE THEM.**

- 5:** Place each power housing onto one Monorail section. **Make sure that the straight isolating connectors are in the middle between the power housings.** Make sure that the Monorail sections are supported by the standoffs. Refer to the instructions provided with the standoffs.
- 6:** Tighten the caps to the power housings. **Make sure the caps are not cross threaded.**
- 7:** Tighten the 3/8-24 set screw on the caps with the 3/16 Allen wrench firmly for proper power connection.



8: If the power feed wires are sagging, loosen the four M4 set screws on the plastic disk with the 2mm Allen wrench.

9: Push the power feed wires into the canopy and tighten the four M4 set screws with the 2mm Allen wrench.