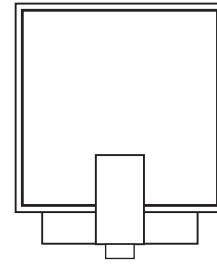


Installation Instructions for Mr. Square

IMPORTANT SAFETY INSTRUCTIONS

To reduce the risk of fire, electrical shock, exposure to excessive UV radiation, or injury to persons:

- Do not look directly at the lamp while the fixture is on.
- **RISK OF FIRE:** Use only the type of lamp and maximum wattage indicated in this instruction manual.
- Never cover the halogen lamp with anything other than a lamp shield provided by Edge Lighting and never place flammable material close to the fixture.
- Never turn the fixture on and off by connecting and disconnecting the halogen lamp.
- Do not touch the fixture head, shade or lamp shield while the fixture is on. These surfaces may be **VERY HOT**.
- Do not touch lamp at anytime. Use a soft cloth instead as oil from skin may damage lamp.
- It is normal for a new halogen lamp to produce minor smoke when first turned on.
- Turn power off and allow to cool before replacing lamp.

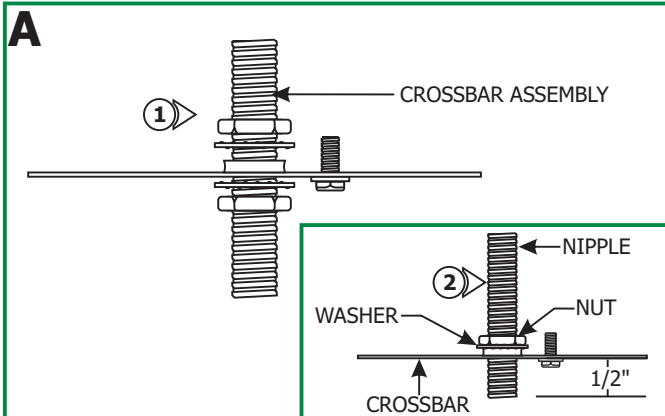


IMPORTANT INFORMATION

- This product is ETL listed for indoor and outdoor locations.
- **RISK OF FIRE:** This product must be installed 4 ft above the ground for wet locations.
- This product is wall mounted **only**.
- This product can mount to either a 4" square electrical box with round plaster ring or an octagon electrical box.
- This product can be dimmed with a standard incandescent dimmer.
- This instruction shows a typical installation for indoor and outdoor.

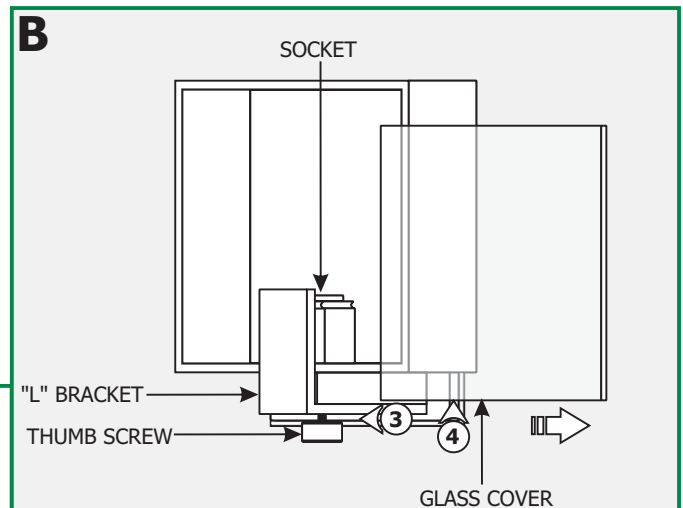
SAVE THESE INSTRUCTIONS!

Install the Fixture



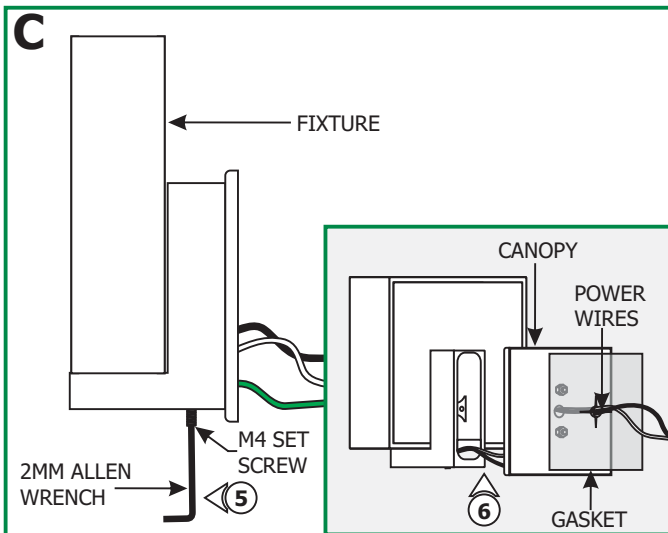
1: Remove one nut and washer from the crossbar assembly.

2: Adjust the crossbar on the nipple so that 1/2" of the nipple is exposed on one end. Secure the crossbar in place by tightening the washer and nut.



3: While holding the glass cover, carefully loosen and remove the thumb screw and "L" bracket.

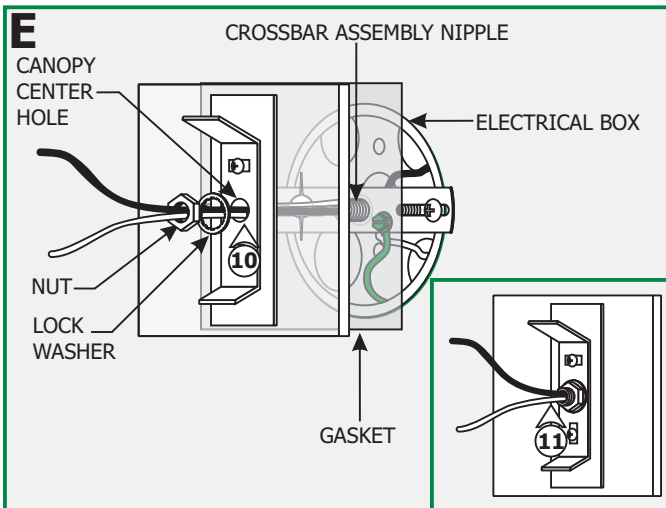
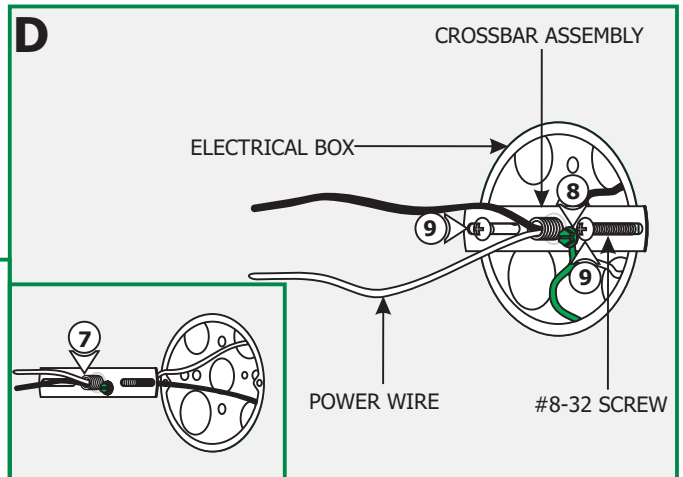
4: Carefully slide the glass cover out.



5: From the bottom of the fixture loosen (**Do Not Remove**) the M4 set screw with the 2mm Allen wrench .

6: Carefully, remove the canopy and gasket from the fixture.

- 7:** Feed the power wires through the crossbar assembly nipple.
- 8:** Make sure the crossbar assembly is grounded in accordance with local electrical codes.
- 9:** Mount the crossbar assembly to the electrical box holes with the two #8-32 screws provided.

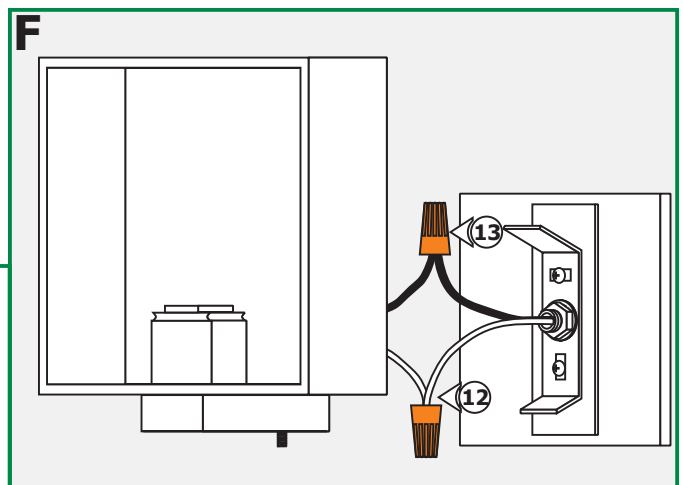


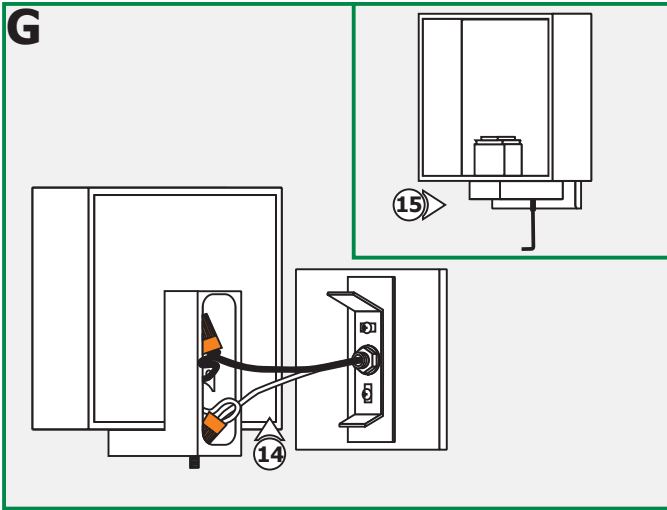
10: Feed the power wires through the gasket and canopy center hole respectively.

11: Secure the canopy to the crossbar nipple with the lock washer and nut.

NOTE: If necessary, trim the fixture wires.

- 12:** While holding the fixture, connect the white fixture wire to the neutral power wire with a wire nut.
- 13:** Connect the black fixture wire to the hot power wire with a wire nut.





14: Place all wires and wire nut connections inside the fixture body.

15: Slide the fixture body completely onto the canopy bracket and tighten the M4 set screw on the bottom of the fixture with the 2mm Allen wrench to secure.

16: Place the metal socket cover over the socket.

CAUTION: To reduce risk of a burn or electrical shock during lamping, disconnect the power to the fixture.

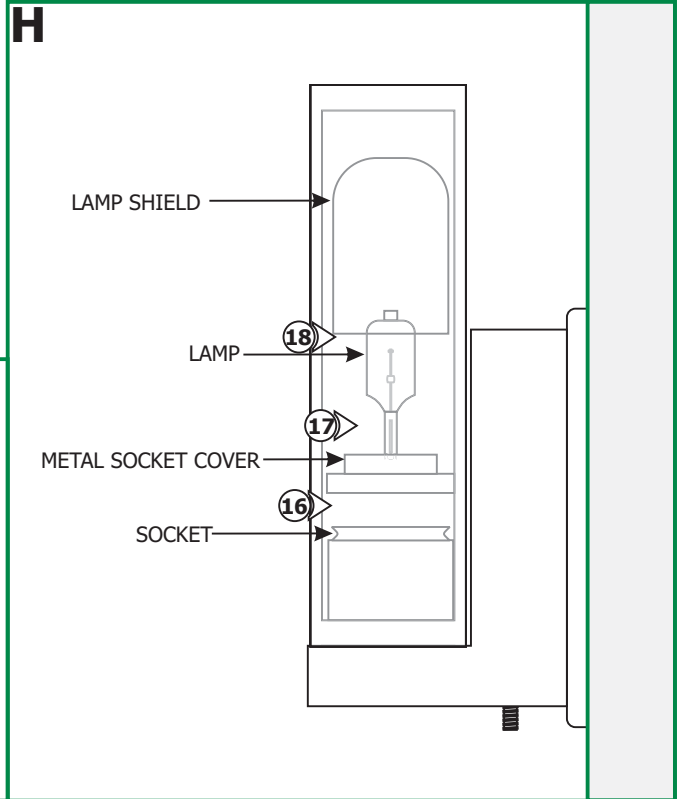
NOTE: Use only fingers and a soft cloth to install the lamps.

Use **MAX 40 Watt** Type T4, G9 Base, Bi-Pin Halogen Lamp.

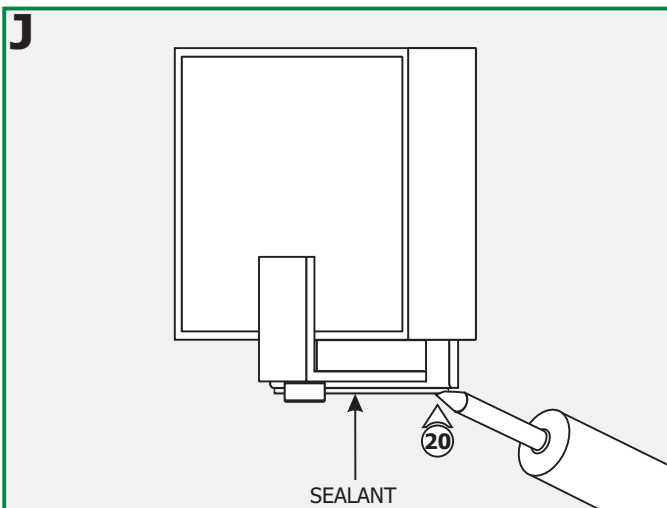
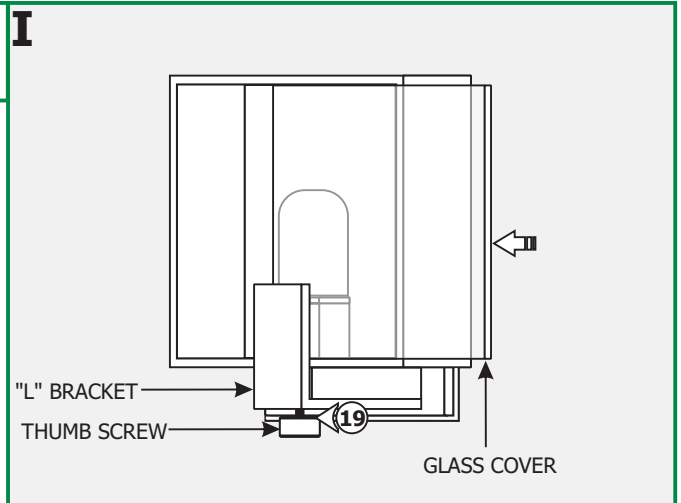


17: Push the lamp pins completely into the socket holes.

18: Place the lamp shield over the lamp.



19: Replace the glass cover onto front of the fixture. Replace the "L" bracket and thumb screw to secure the glass cover in place.



20: For installation in **wet location**, caulk around the fixture canopy with waterproof construction sealant.