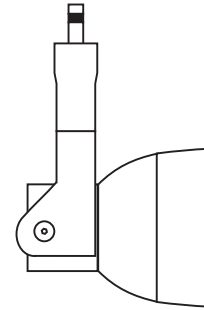


## Installation Instructions for Neo Pro-Aim

### IMPORTANT SAFETY INSTRUCTIONS

To reduce the risk of fire, electrical shock, exposure to excessive UV radiation, or injury to persons:

- Use this fixture indoors only.
- Do not look directly at the lamp while the fixture is on.
- **RISK OF FIRE:** Use only the type of lamp and maximum wattage indicated in this instruction manual.
- Never cover the halogen lamp with anything other than a lamp shield provided by Edge Lighting and never place flammable material close to the fixture.
- Never turn the fixture on and off by connecting and disconnecting the halogen lamp.
- Do not touch the fixture head, shade or lamp shield while the fixture is on. These surfaces may be **VERY HOT**.
- Do not touch lamp at anytime. Use a soft cloth. Oil from skin may damage lamp.
- It is normal for a new halogen lamp to produce minor smoke when first turned on.
- Do not operate the luminaire with a missing or damaged shield.
- Turn power off and allow to cool before replacing lamp.

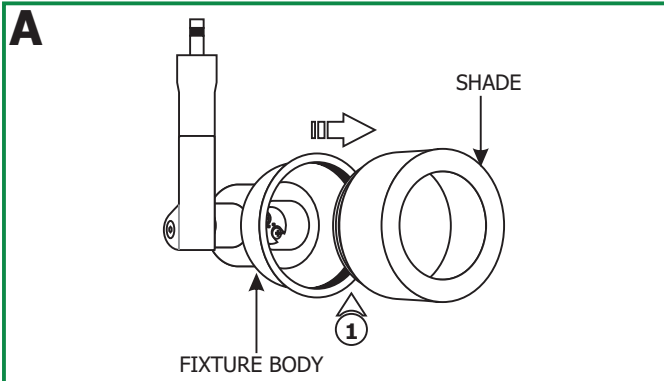


### IMPORTANT INFORMATION

- This product is ETL listed for indoor dry locations.
- This product is not restricted to certain height installation. It is approved to be used at any height above the floor.
- Applicable accessories are Hexcell Louver, Glass Lenses & MR16 Snout.

**SAVE THESE INSTRUCTIONS!**

## Install the Lamp & Lens Accessory



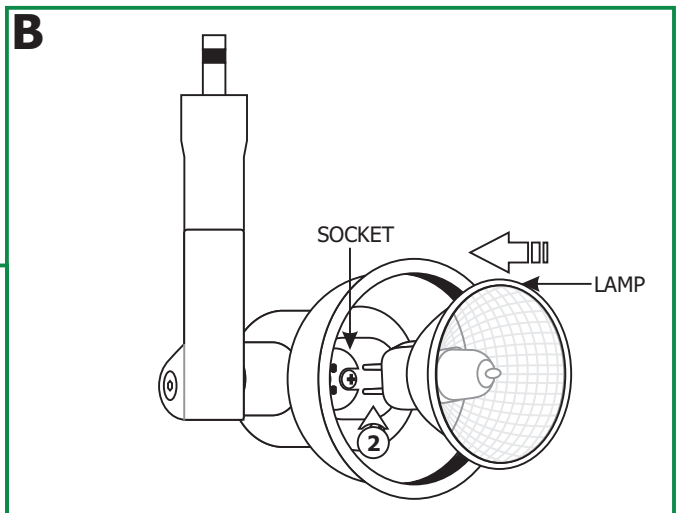
**1:** Loosen and remove the shade completely out of the fixture body.

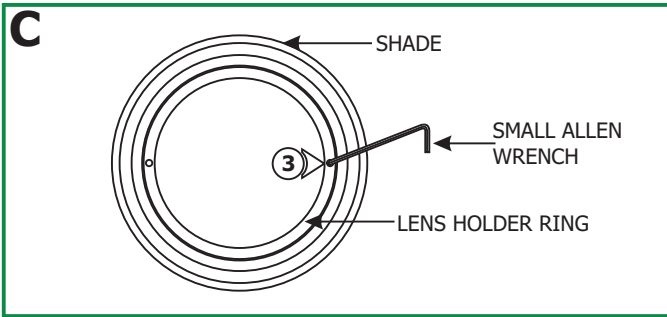
**CAUTION:** To reduce risk of a burn or electrical shock during lamping, disconnect the power to the fixture.

Use **MAX 50 Watt IR**, Type MR16 Front Glass Cover Halogen Lamp.



**2:** Push the lamp pins completely into the socket holes.

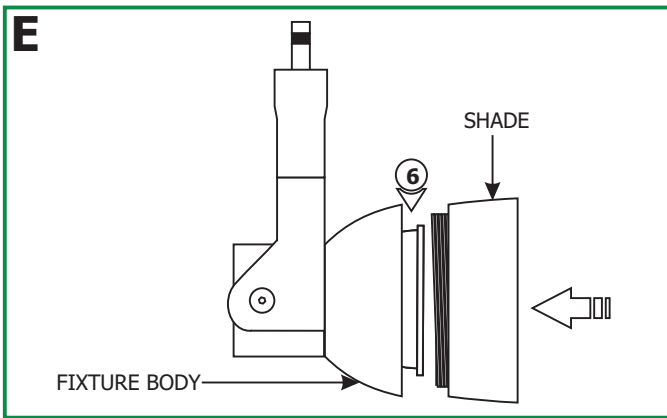
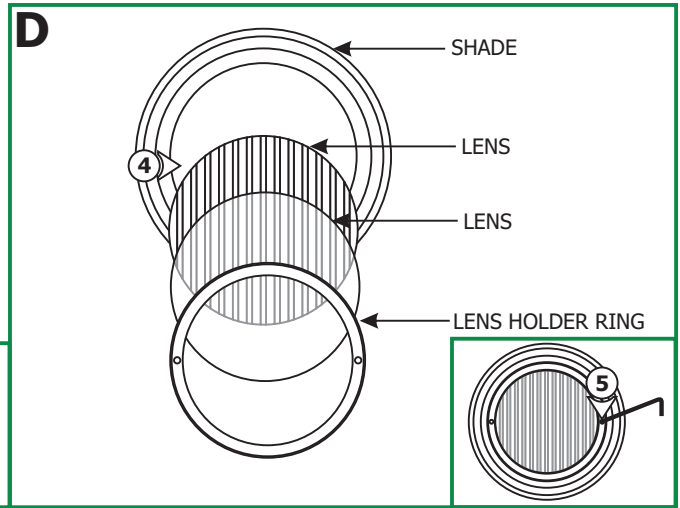




**3:** From the inside of the shade, use a small Allen wrench or a pen point to loosen and remove the lens holder ring.

**4:** Place the lens(es), or a combination of a lens and hexcell louver into the shade.

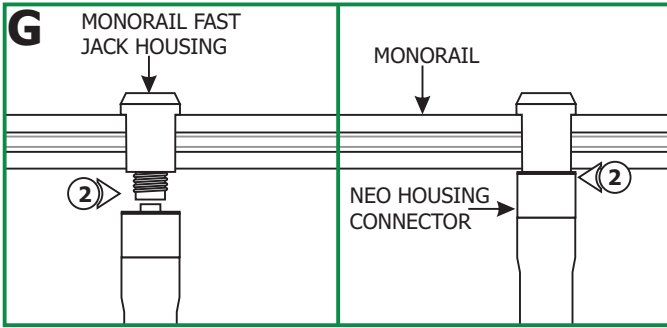
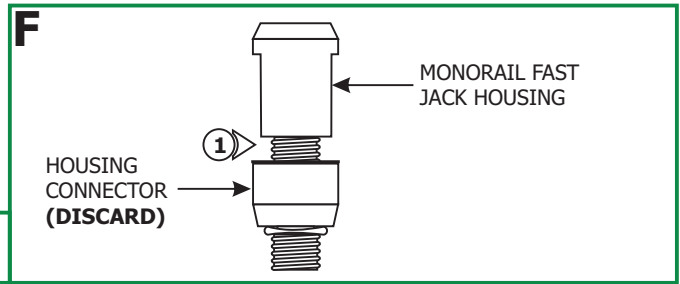
**5:** Replace and tighten the lens holder ring to secure the lenses in place.



**6:** Tighten the shade completely to fixture body.

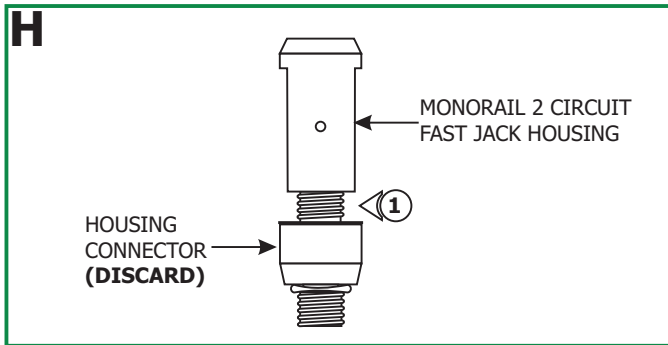
## Install the Neo to the Monorail (MC-FJ-\_\_)

**1:** Remove the Monorail housing connector from the Monorail Fast Jack housing and discard it.



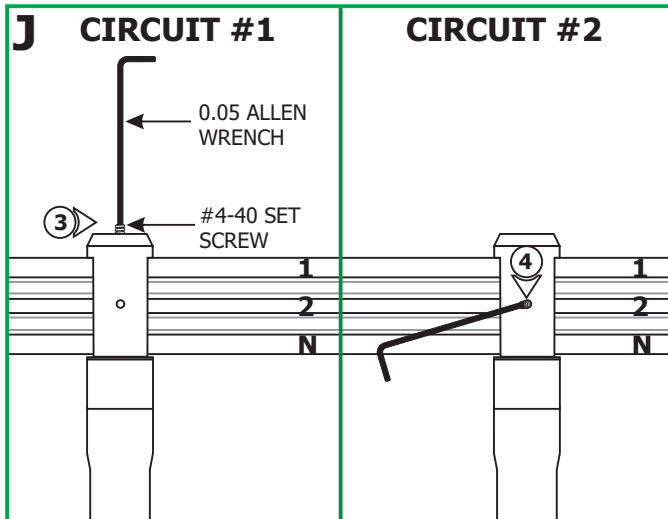
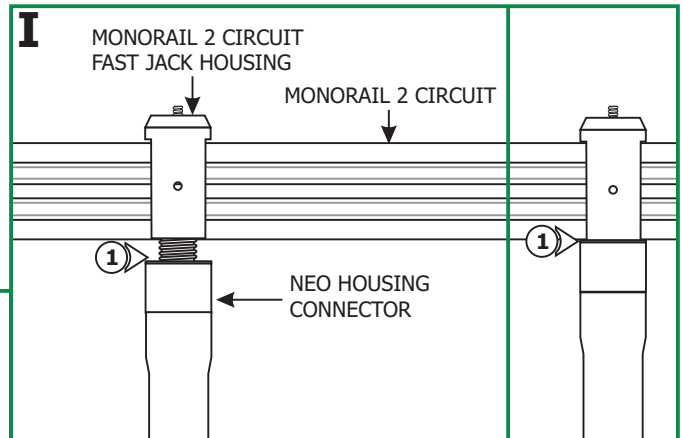
**2:** Place the Monorail Fast Jack housing onto the Monorail and use fingers to tighten the Neo housing connector to the Fast Jack housing. **Make sure that the Neo housing connector is not cross threaded.**

# Install the Neo to Monorail 2 Circuit Connector (M2C-FJ-\_)



**1:** Remove the Monorail 2 Circuit housing connector from the Monorail 2 Circuit Fast Jack housing and discard it.

**2:** Place the Monorail 2 Circuit Fast Jack housing onto the Monorail 2 Circuit and use fingers to tighten the Neo housing connector to the Fast Jack housing. **Make sure that the Neo housing connector is not cross threaded.**



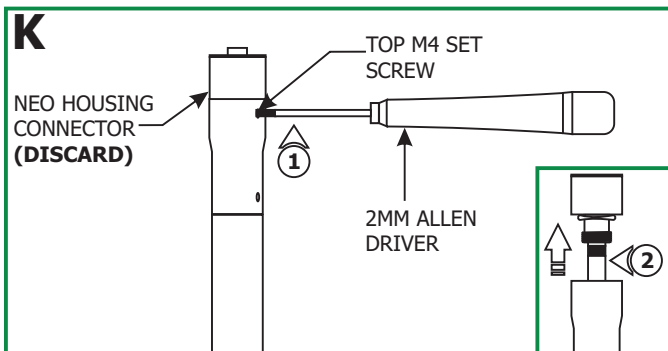
**3:** To power the Neo from circuit #1, top and bottom (neutral) rails, tighten the #4-40 set screw on top of the housing with the 0.05 Allen wrench. **Make sure this set screw connection is very tight.**

**4:** To power the fixture from circuit #2, middle and bottom (neutral) rails, remove the #4-40 set screw from top of the housing and tighten it into the side threaded hole with the 0.05 Allen wrench. **Make sure this set screw connection is very tight.**

**NOTE:** To avoid shorting the system, do not use more than one set screw to select a circuit on the Monorail 2 Circuit connector.

**NOTE:** Do not load either circuit over the maximum system rating.

# Install the Fixture to Fast Jack Canopy (FJP-2SQ-\_, FJP-4SQ-\_, FJP-4RD-\_)

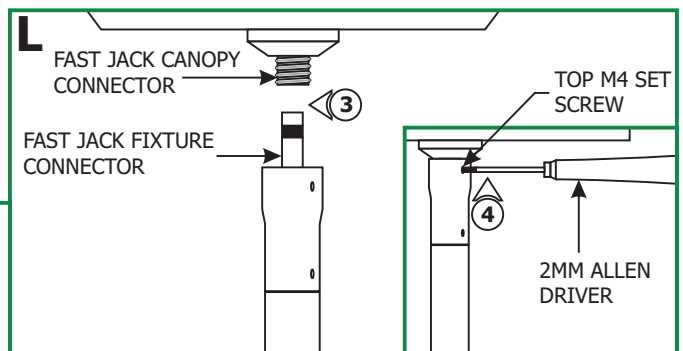


**1:** Loosen the top M4 set screw on the Neo arm with the 2MM Allen driver.

**2:** Remove and discard the Neo housing connector.

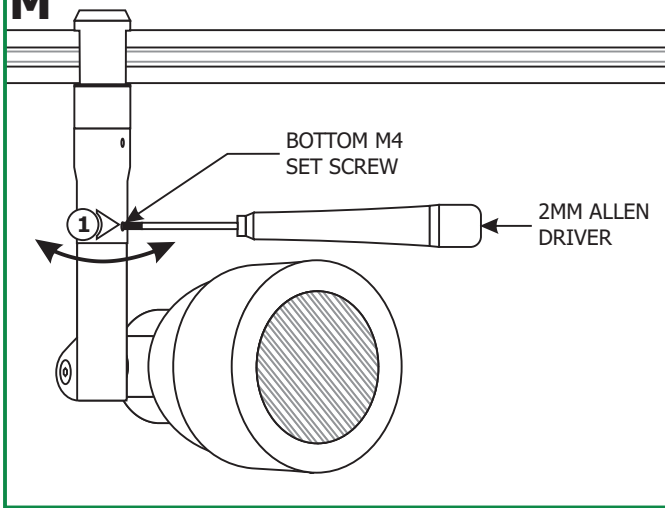
**3:** Use fingers to tighten the Fast Jack fixture connector into the Fast Jack canopy connector.

**4:** Tighten the top M4 set screw with the 2mm Allen driver to secure the fixture in place.



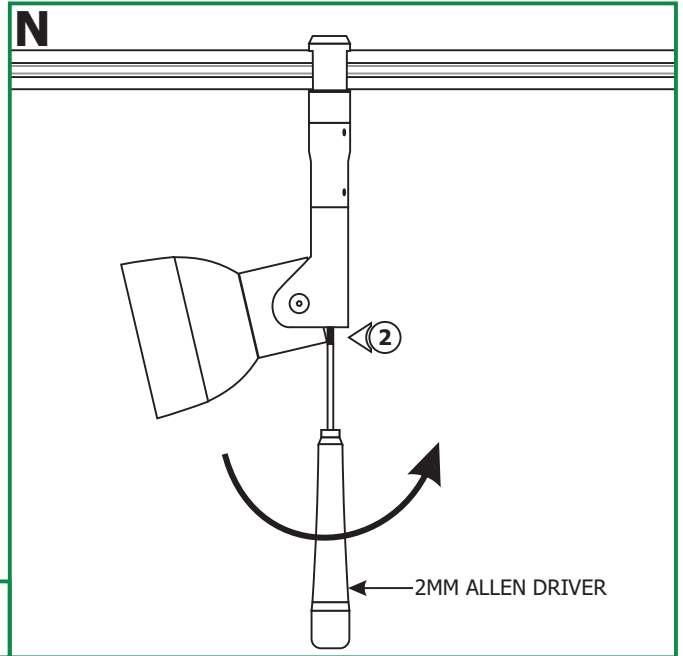
# Pro-Aim Positioning and Locking the Neo

**M**



**1:** Rotate the Neo to the desired location and lock the position by tightening the bottom M4 set screw with the 2mm Allen driver.

**N**



**2:** Use the 2mm Allen driver on the bottom of the Neo arm to tilt the head up or down.