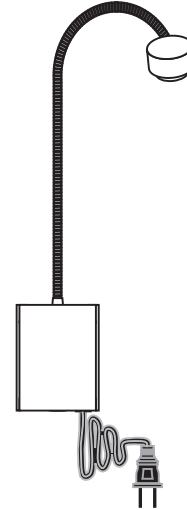


Installation Instructions for **Night Owl (Plug-In Version)**

IMPORTANT INFORMATION

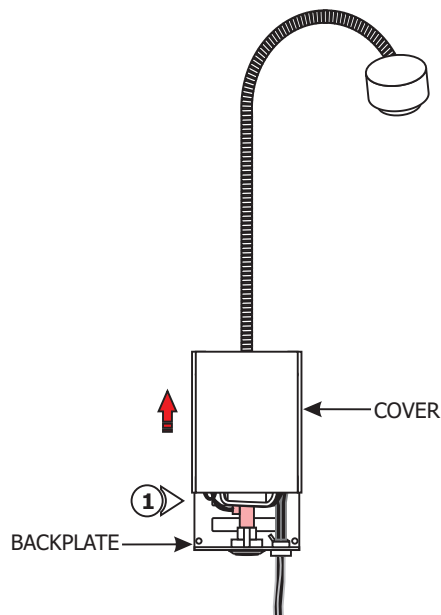
- This product is ETL listed for indoor locations.
- This product is for wall mount application.
- This instruction shows a typical installation.

SAVE THESE INSTRUCTIONS!



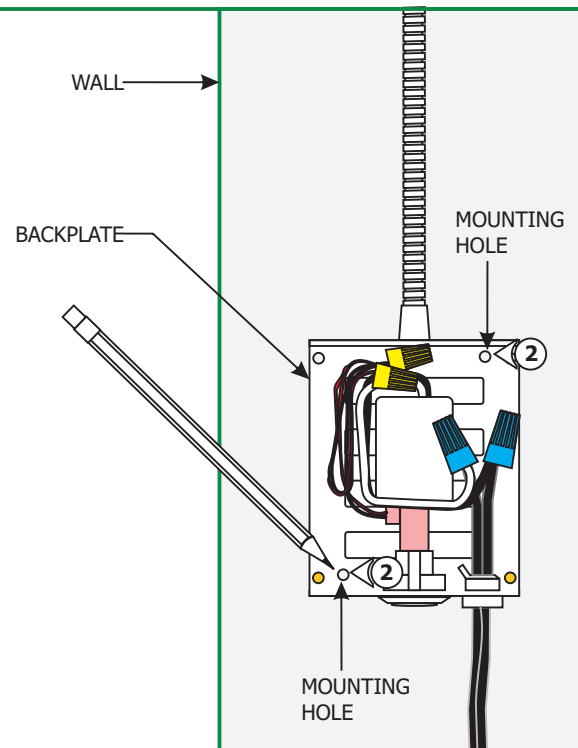
Install the Fixture

A

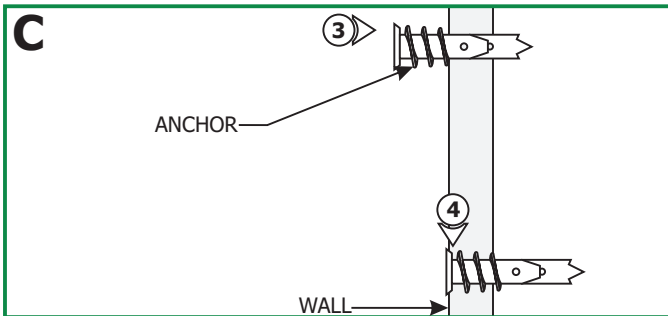


1: Remove the cover by sliding it up and then off the backplate.

B



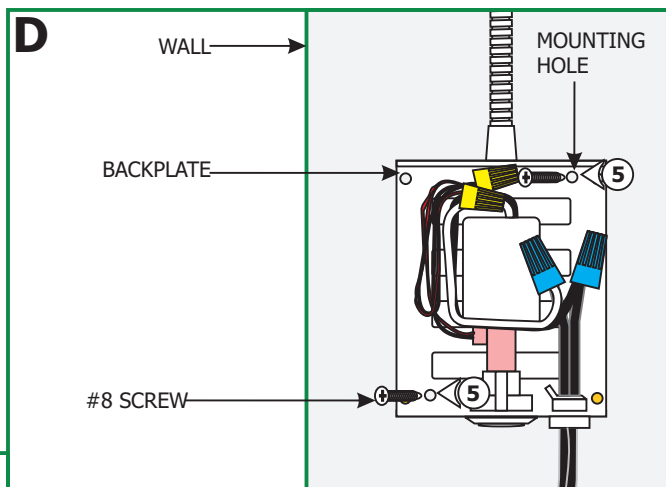
2: Hold the backplate against the surface where the fixture is going to be mounted. Level the backplate vertically and mark the two mounting holes on the surface.



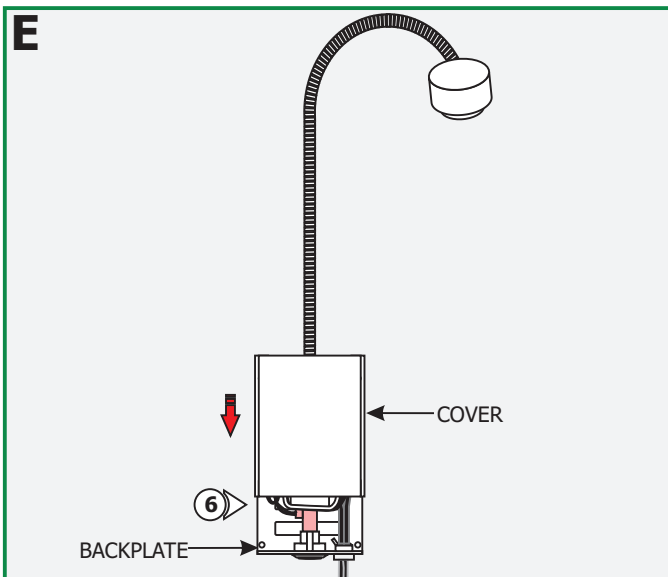
NOTE: Omit steps 3 to 5 if installing the fixture onto a surface other than drywall like bedroom wood board. Use the provided screws to mount the backplate directly to the wood board.

3: Tap the anchors onto the marked points into the wall up to the threaded portion with a hammer.

4: Screw the threaded portion of the anchors in with the a Phillips screwdriver.



5: Mount the backplate to the anchors with the two #8 screws.



6: Replace and slide the cover down completely onto the backplate.

7: Plug the power supply into the 120 volt power outlet.

NOTE: The fixture contains a **1 Watt** integrated LED lamp. This lamp is rated for 50,000 hours.

8: Use the rocker switch on the bottom of the backplate to control intensity of the light.

