

## Installation Instructions for Regal (Halogen Version)

### IMPORTANT SAFETY INSTRUCTIONS

To reduce the risk of fire, electrical shock, exposure to excessive UV radiation, or injury to persons:

- Use this fixture indoors only.
- Do not look directly at the lamp while the fixture is on.
- **RISK OF FIRE:** Use only the type of lamp and maximum wattage indicated in this instruction manual.
- Never cover the halogen lamp with anything other than a lamp shield provided by Edge Lighting and never place flammable material close to the fixture.
- Never turn the fixture on and off by connecting and disconnecting the halogen lamp.
- Do not touch the fixture head, shade or lamp shield while the fixture is on. These surfaces may be **VERY HOT**.
- Do not touch lamp at anytime. Use a soft cloth instead as oil from skin may damage lamp.
- It is normal for a new halogen lamp to produce minor smoke when first turned on.
- Turn power off and allow to cool before replacing lamp.



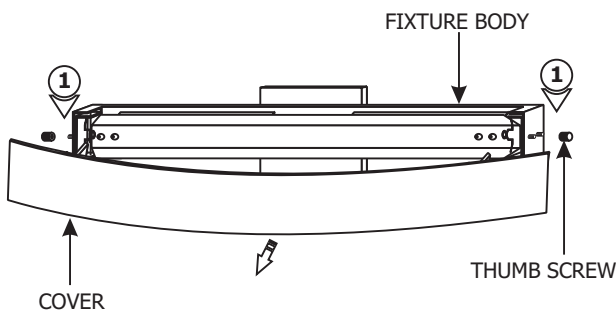
### IMPORTANT INFORMATION

- This product is ETL listed for indoor dry locations.
- This product is wall mounted only.
- This product can mount to either a 4" square electrical box with round plaster ring or an octagon electrical box.
- This product can be dimmed with a standard incandescent dimmer.

**SAVE THESE INSTRUCTIONS!**

## Install the Fixture

**A**

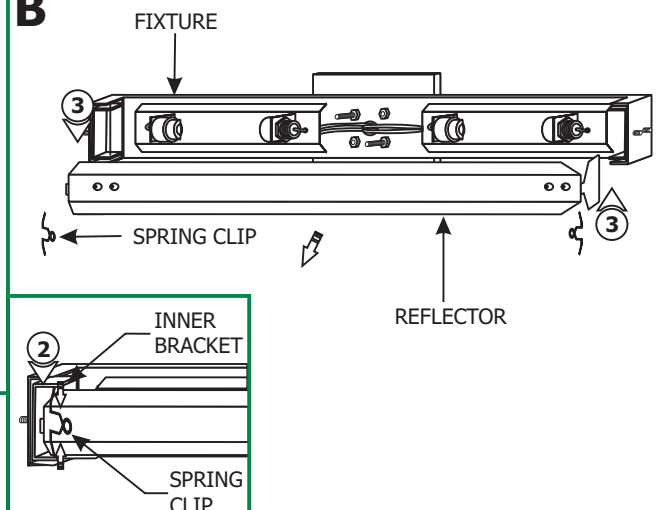


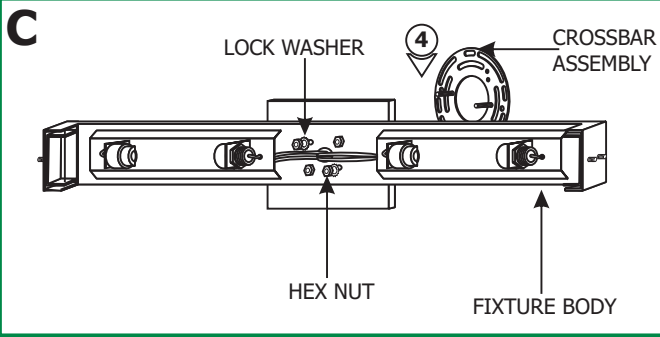
**1:** Remove the two thumb screws on the sides of the fixture body to detach the cover.

**2:** Squeeze the spring ends and remove them from the inner bracket.

**3:** Pull the reflector out.

**B**

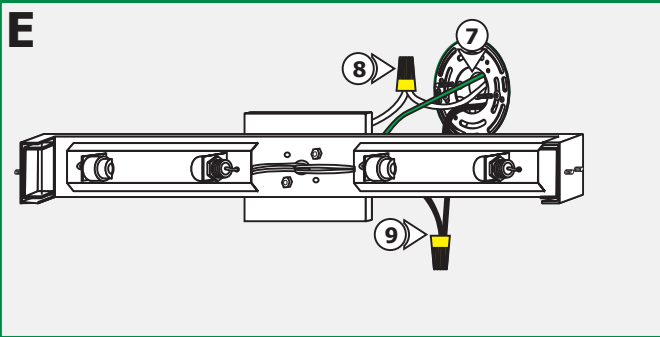
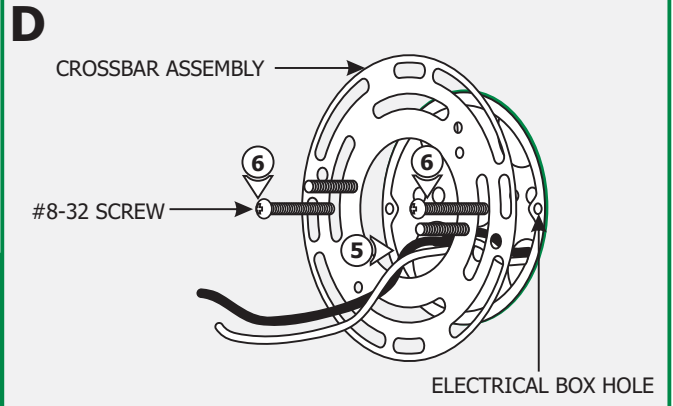




**4:** Loosen and remove the two hex nuts and lock washers from the center of fixture body to remove the crossbar assembly.

**5:** Feed the power wires through the crossbar assembly center hole.

**6:** Mount the crossbar assembly to the electrical box holes with the provided two #8-32 screws.

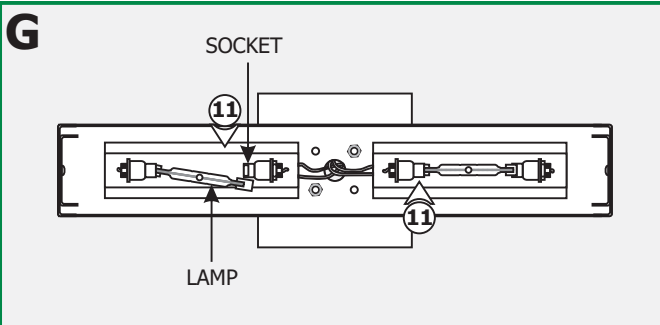
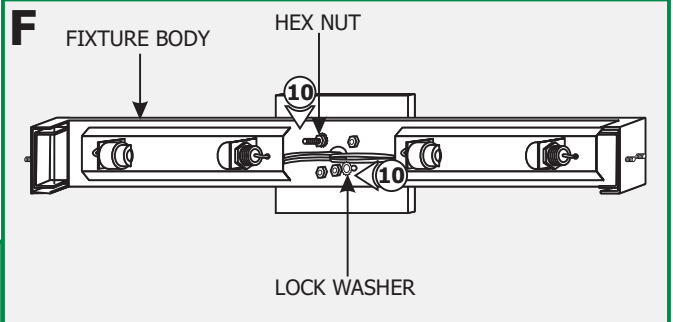


**7:** Make sure that the fixture is grounded in accordance with local electrical codes.

**8:** Connect the white fixture wire to the neutral power wire with a wire nut.

**9:** Connect the black fixture wire to the hot power wire with a wire nut.

**10:** Secure the fixture body to the crossbar assembly by tightening the hex nuts and lock washers.



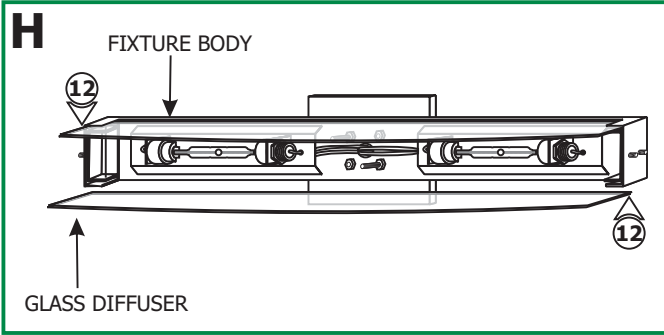
**CAUTION:** To reduce risk of a burn or electrical shock during lamping, disconnect the power to the fixture.

**NOTE:** Use only fingers and a soft cloth to install the lamp.

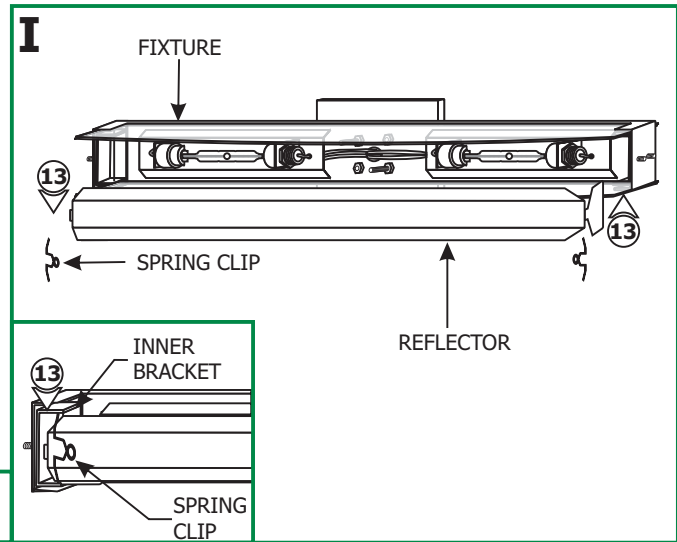
Use **MAX 75** Watt Type T3-78mm, Double End Halogen Lamp For Each Socket.



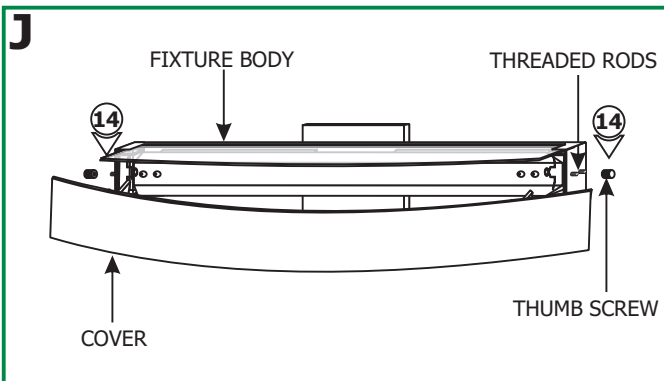
**11:** Place one end of the lamp onto one socket pin, while pushing the lamp against that socket pin slide the other end onto the other socket pin. Repeat this step for the other socket.



**12:** Insert the glass diffusers between the fixture body and inner bracket.



**13:** Align and insert the reflector ends into the inner bracket and secure it in place by replacing the spring clips.



**14:** Replace the cover and tighten the two thumb screws to the threaded rods to secure the cover in place.