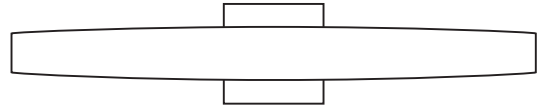


## Installation Instructions for Regal LED

### IMPORTANT SAFETY INSTRUCTIONS

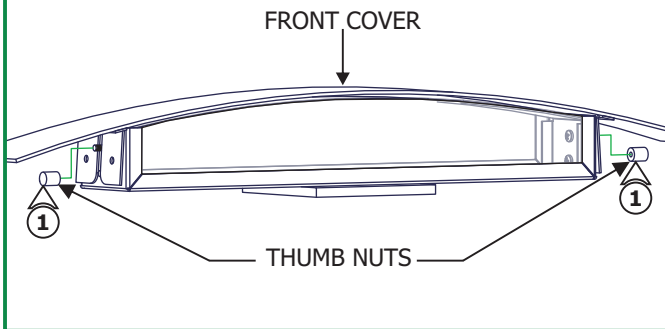
- Use this fixture indoors only.
- This product is ETL listed for indoor dry locations.
- This product is wall mounted only.
- This product can mount to either a 4" square junction box with round plaster ring or an octagon junction box.
- This product can be dimmed with a standard low-voltage electronic dimmer.
- This product must be installed by a qualified electrician.

**SAVE THESE INSTRUCTIONS!**



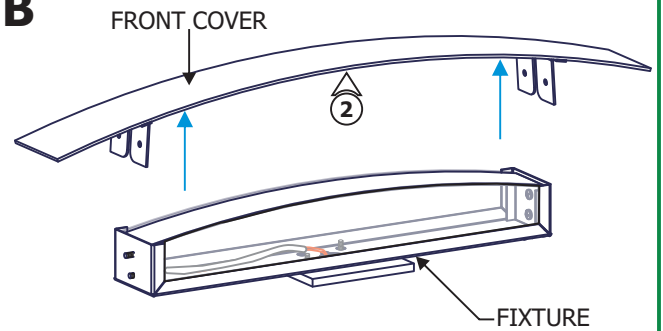
### Install the Fixture

**A**



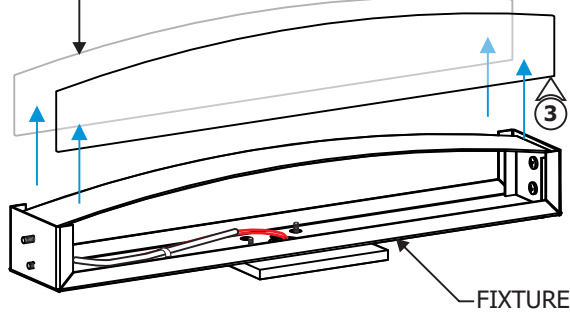
**1:** Remove the two thumb nuts on the sides of the fixture body to detach front cover.

**B**



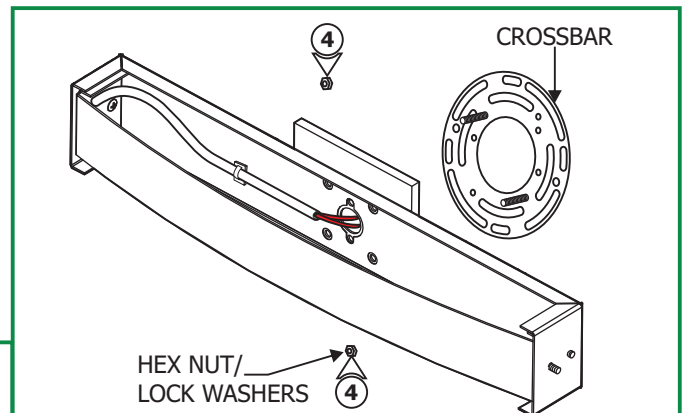
**2:** Remove the front cover from the fixture.

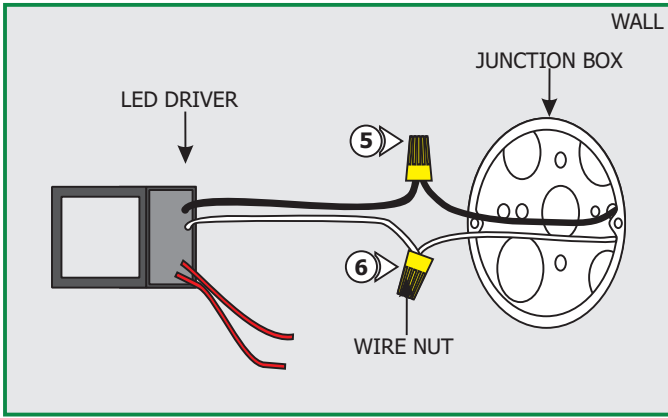
GLASS PANEL



**3:** Slide the glass panels out of the slots in the fixture.

**4:** Loosen and remove the two hex nuts and lock washers from the center of fixture body to remove the crossbar assembly.





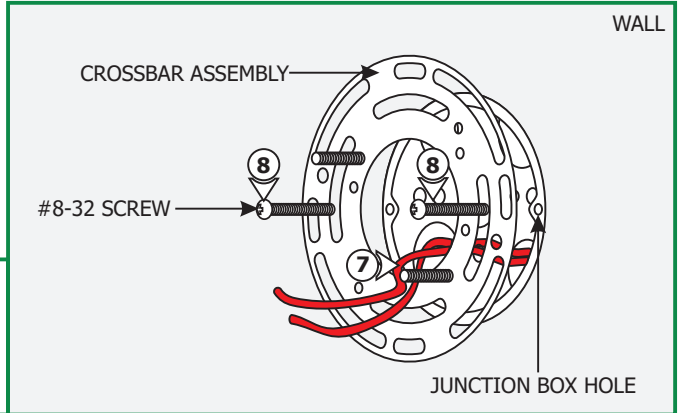
**NOTE:** Make sure the power to the electrical box is off before continuing.

**5:** Connect the black LED driver wire to the HOT wire in the junction box.

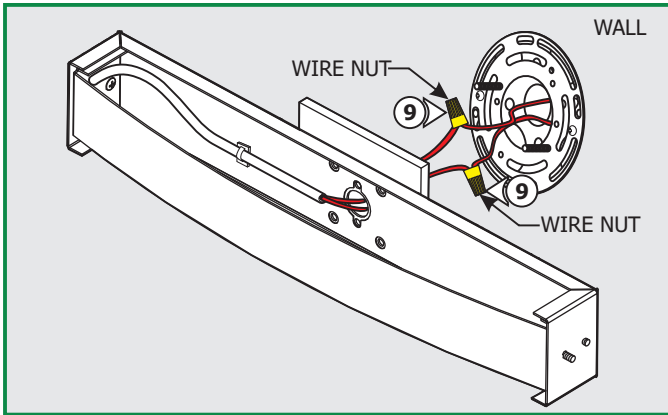
**6:** Connect the white LED driver wire to the NEUTRAL wire in the junction box. Place wire connections and LED driver into the junction box.

**7:** Feed the power wires through the crossbar assembly center hole.

**8:** Mount the crossbar assembly to the junction box holes with the provided two #8-32 screws.

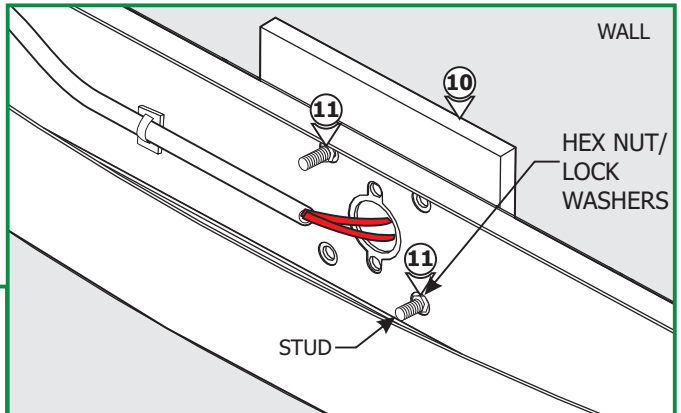


**9:** Connect each red fixture wire to one red LED driver wire using wire nuts.

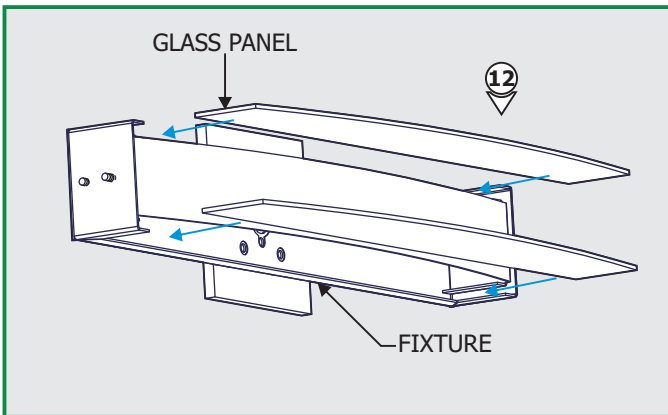


**10:** Slide the canopy holes onto the threaded crossbar studs

**11:** Secure the fixture to the crossbar studs using the two hex nuts and lock washers.



**12:** Slide the glass panels into top and bottom of slots of the fixture.



**13:** Replace the front cover.

**14:** Replace the thumb nuts onto the mounting screws and tighten to secure front cover in place.

