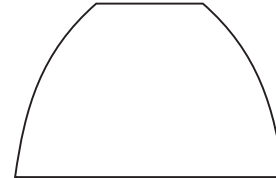


Installation Instructions for **Large Solid Back Shade MR16**

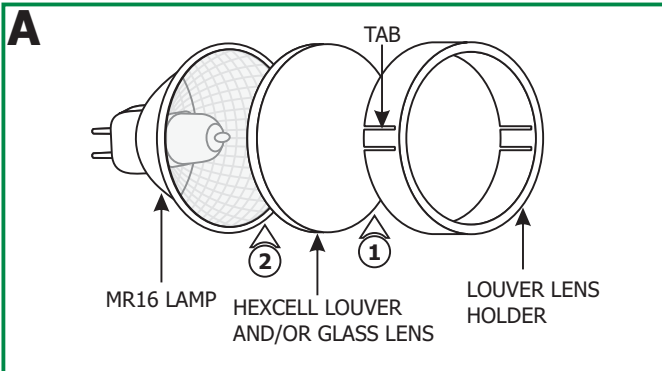
IMPORTANT INFORMATION

- This product is ETL listed for indoor dry locations.

SAVE THESE INSTRUCTIONS!

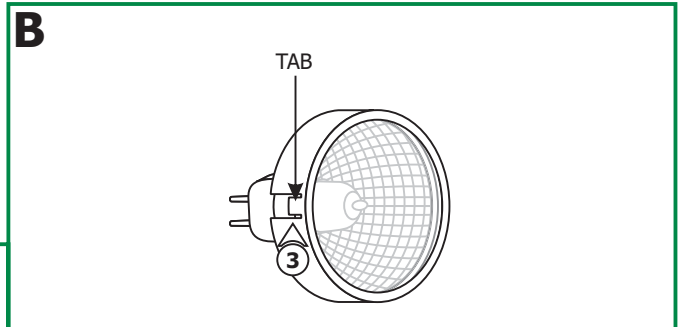


Install the Louver Lens Holder (Optional)



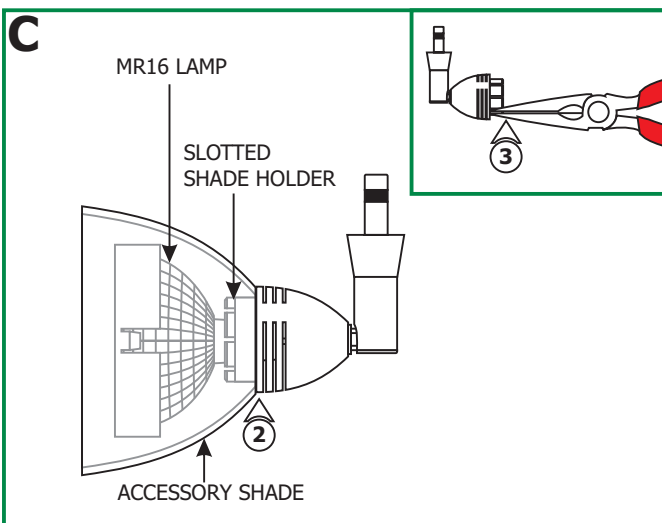
1: Place the Hexcell louver (Optional) or glass lens (Optional) or a combination of a hexcell and glass lens into the louver lens holder.

2: Place the MR16 lamp into the louver lens holder.



3: Press the tabs on the sides of the louver lens holder against the MR16 lamp to keep it in the position.

Install the Accessory Shade in Low Rider Type Fixtures



1: Place the MR16 lamp into the accessory shade and line up the MR16 lamp pins with the socket holes.

2: Push the lamp pins completely into the socket holes and simultaneously push the accessory shade onto the slotted shade holder.

3: The accessory shade must fit snugly onto the slotted shade holder. If adjustment is necessary, carefully bend the slotted shade holder tabs slightly in or out with needle-nose pliers.

NOTE: The provided spring clip is not used in this installation.