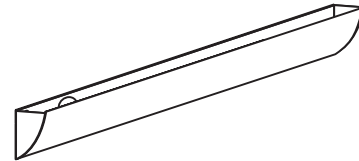


Installation Instructions for **Soft Strip Cove**

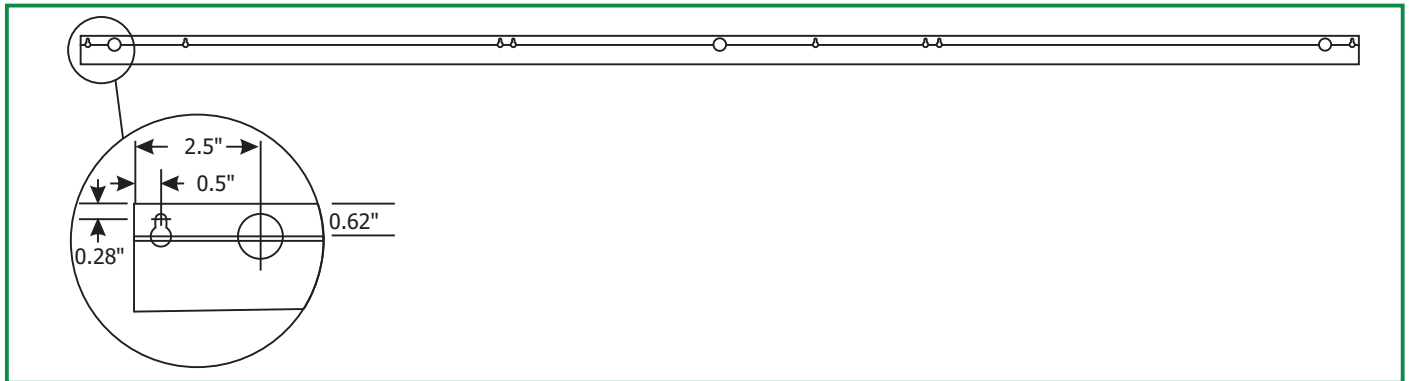
IMPORTANT INFORMATION

- This instruction shows a typical installation.

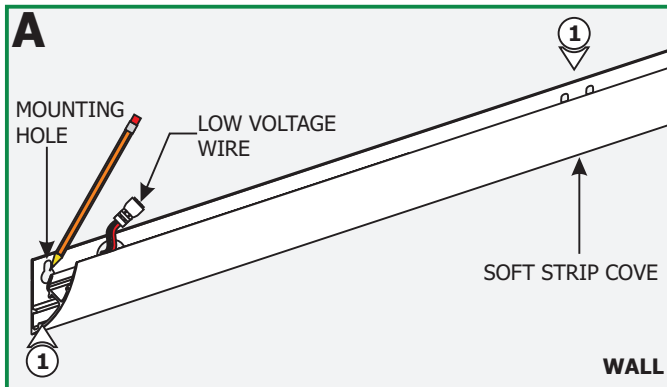
SAVE THESE INSTRUCTIONS!



Soft Strip Cove Dimensions



Install the Soft Strip Cove



NOTE: Prior to Soft Strip Cove installation the low voltage wires should be present. Refer to the instructions provided with the power supply to install the low voltage wires before proceeding with the steps below.

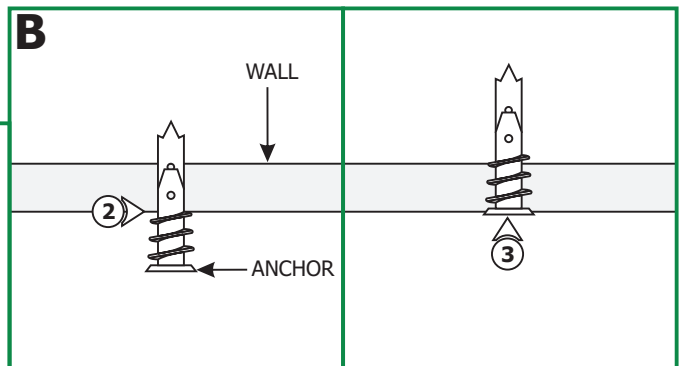
NOTE: Two people are required if the Soft Strip Cove is used as a template to mark the installation holes.

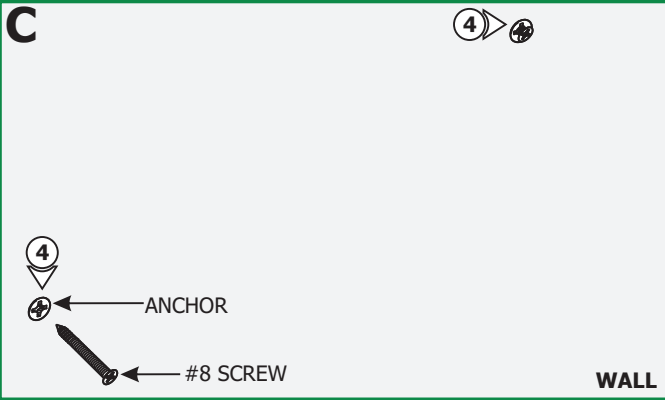
1: Mark the key hole locations of the Soft Strip Cove on a straight line where the Soft Strip Cove is going to be installed.

NOTE: Steps 2 to 3 are for drywall mounting. Omit these steps if mounting the Soft Strip Cove to a wood surface directly.

2: Tap the anchors onto the marked points up to the threaded portion with a hammer.

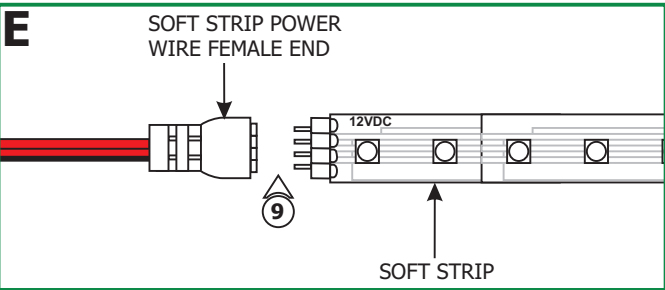
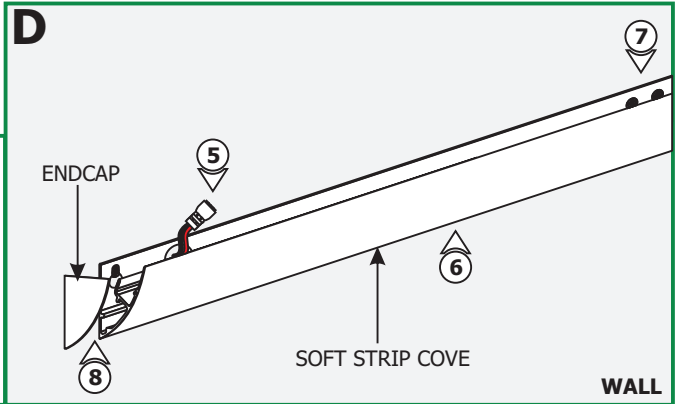
3: Screw in the threaded portion of the anchors with a Phillips screwdriver.





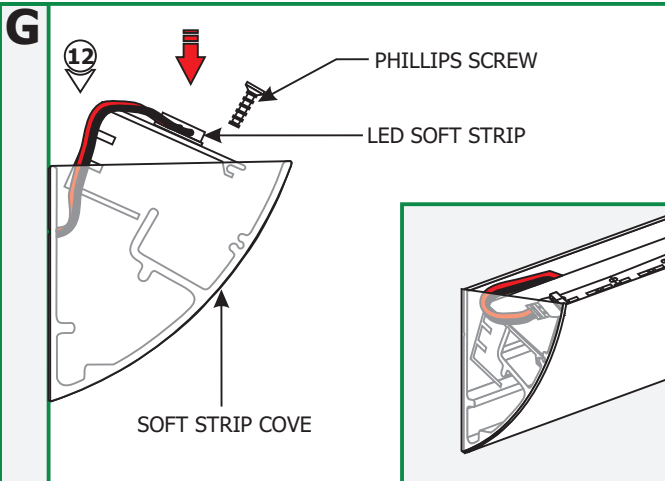
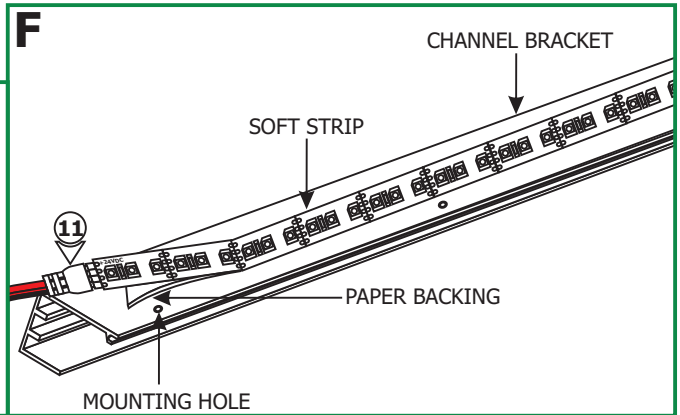
4: Tighten (not completely) the #8 screws into the anchors leaving the head unscrewed for 1/8".

- 5:** Feed the power wire into the Soft Strip Cove conduit hole.
- 6:** Hang the Soft Strip Cove keyholes onto the exposed screws.
- 7:** Tighten the #8 screws completely to secure the Soft Strip Cove in place.
- 8:** Align and place the end caps to the ends of the Soft Strip Cove and tighten the screws.



9: Align the LED soft strip power wires so that the solid red wire of the power feed pin connects to 12VDC or 24VDC soft strip pin. The red/black wire will automatically be connected to the other pins.

- NOTE:** Avoid bending the soft strip in sharp horizontal angles which may damage the LEDs. Use the proper power connectors.
- 10:** Clean the area thoroughly on the channel bracket where the soft strip LED will be installed.
 - 11:** Remove the backing from the soft strip LED and firmly press down making sure there are no air bubbles that can cause surface irregularities. **NO NOT INSTALL SOFT STRIP OVER THE CHANNEL BRACKET MOUNTING HOLES.**



- 12:** Lower the channel bracket into the Soft Strip Cove and secure by tightening the Phillips screws.
- 13:** Refer to the power supply instructions to connect the soft strip wires to power supply.