

Installation Instructions for Soft Strip LED Sensor Switch

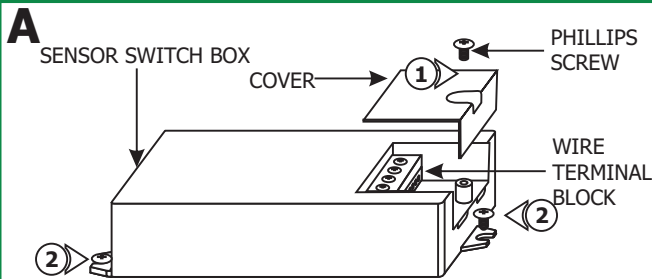
IMPORTANT INFORMATION

- This instruction shows a typical installation.

SAVE THESE INSTRUCTIONS!



Install the Sensor Switch



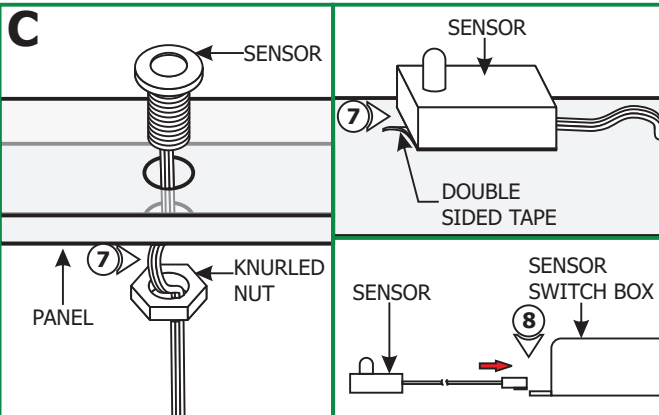
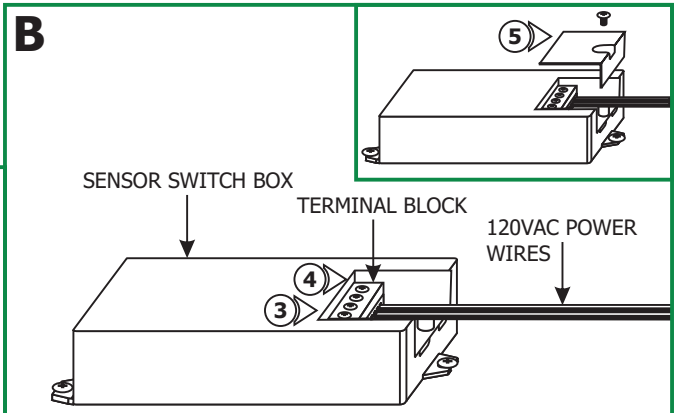
1: Loosen the Phillips screws on top of the sensor switch box to remove the cover exposing the terminal blocks.

2: Secure the sensor switch box to the desired location with the two screws.

3: Refer to the wiring diagram below, connect the hot & neutral power line to the L & N input 120 terminals.

4: Connect the hot & neutral power supply wires to the L & N output terminal.

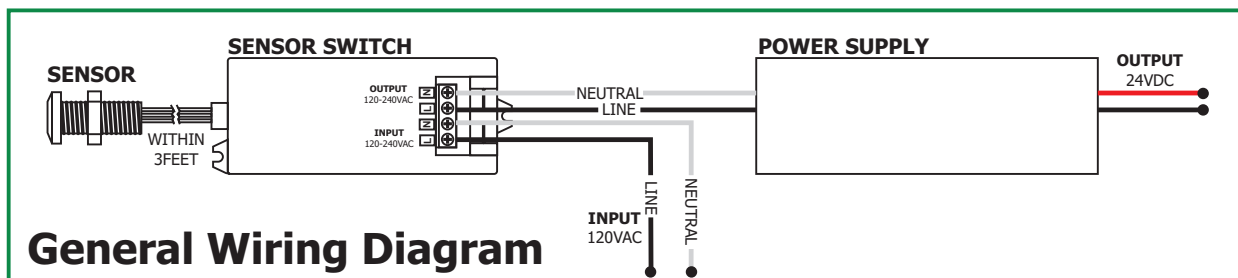
5: Replace the sensor switch box cover and secure it by tightening the Phillips screw.



6: Install sensor within 3 feet of the sensor switch.
Test Prior installation.

7: Depending on model use either double sided tape or make a 7/16" hole to secure the sensor in place.

8: Connect the sensor wires to the sensor box.



General Wiring Diagram