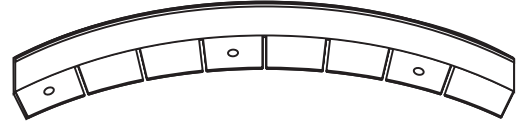


## Installation Instructions for Flexible L Shaped Heat Sink Reflector

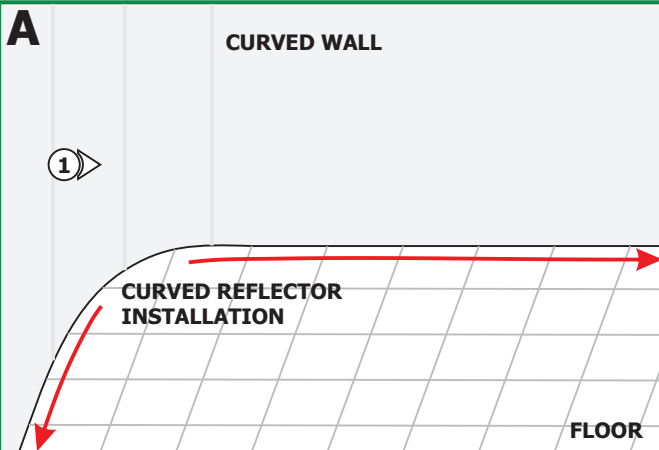
### IMPORTANT INFORMATION

- This product can be mounted as floor reflector or ceiling reflector.
- This installation shows a typical floor installation.

**SAVE THESE INSTRUCTIONS!**



### Install the Reflector



**1:** Determine the location where the reflector will be installed.

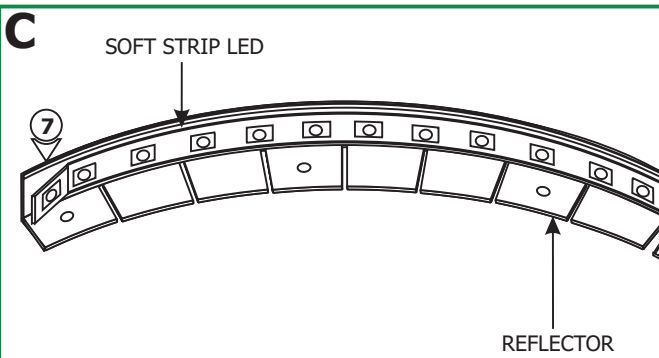
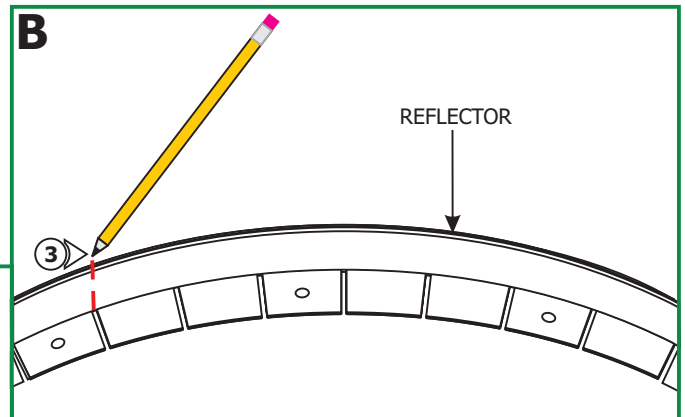
**2:** Using a tape measure determine the reflector size (A).

**NOTE:** For sections longer than 3ft use multiple flexible heat sinks.

**3:** If necessary, mark the size of the reflector.

**4:** Cut the excess reflector.

**5:** Clean the burrs around the the cut sections.



**NOTE:** Avoid bending the soft strip in sharp horizontal angles which may damage the LEDs. Use the proper power connectors.

**6:** Clean the area thoroughly on the reflector where the soft strip LED will be installed.

**7:** Remove the backing from the soft strip LED and firmly press down making sure there are no air bubbles that can cause surface irregularities.

**8:** Secure the reflector to the surface using the provided #6 screws.

**9:** Refer to the power supply instructions to power the LED soft strip.

