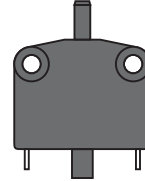


Installation Instructions for Micro Switch

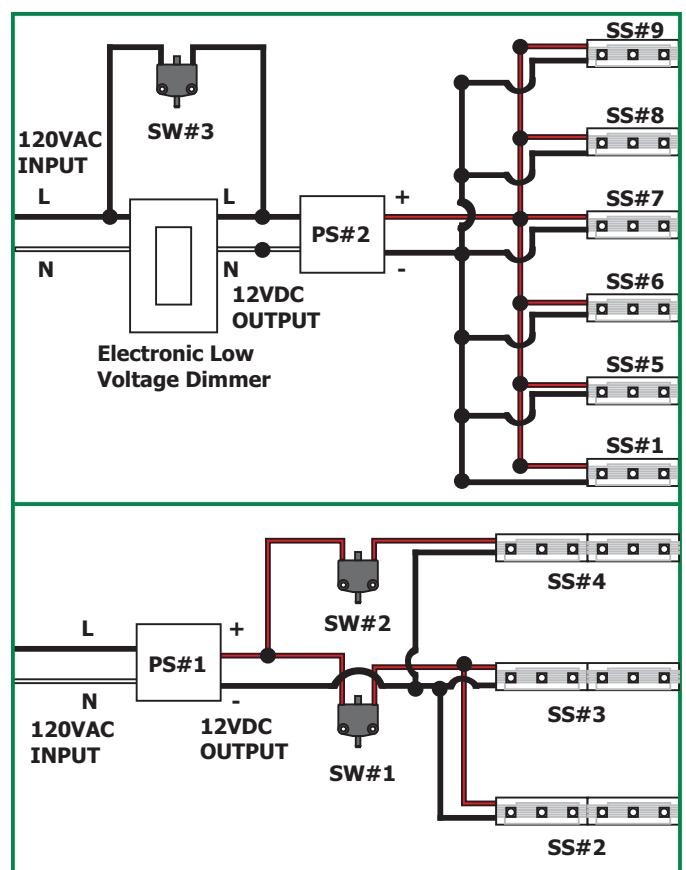
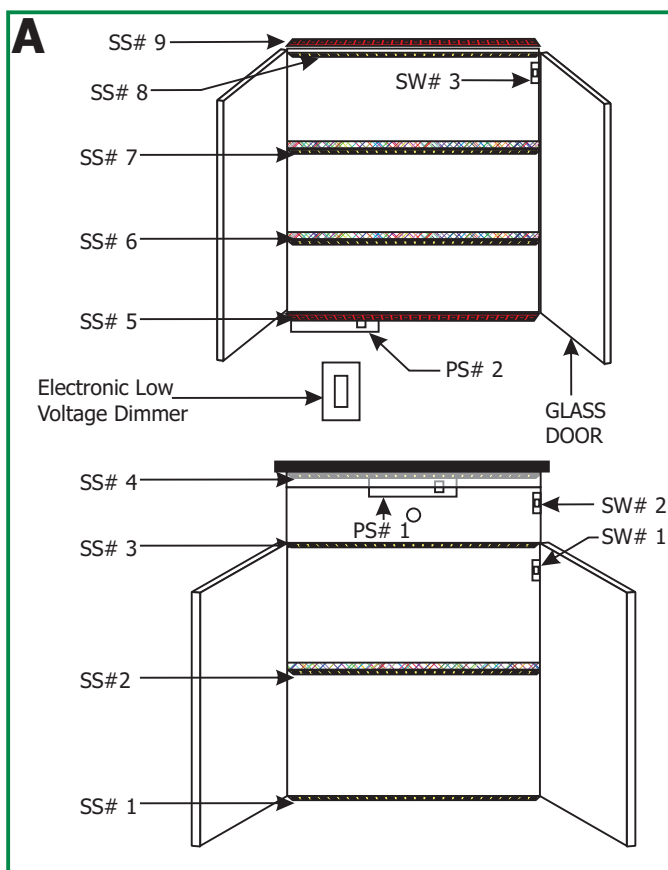
IMPORTANT INFORMATION

- This instruction shows a typical installation.
- Micro switch is normally closed momentary switch that is rated for 12A, 125V AC.

SAVE THESE INSTRUCTIONS!



A Typical Cabinet Installation Diagram



SS#1: Tow kick soft strip.

SS#2 & SS#3: Bottom cabinet soft strips.

SS#4: Drawer soft strip.

SS#5: Under Cabinet soft strip.

SS#6, 7, & 8: Upper Cabinet glass door soft strips.

SS#9: Top of the Cabinet soft strip.

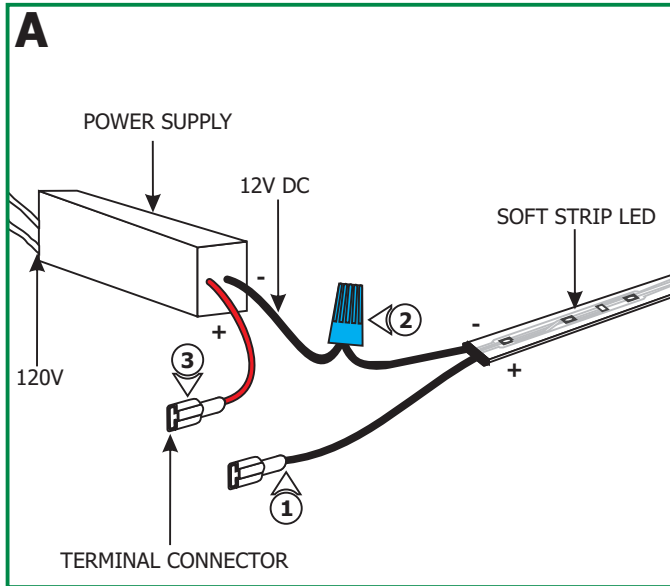
PS#1: PS-60-12VDC, PSB-60-12VDC, or TEB-60-12DC installed behind one of the drawer.

SW#1 & SW#2: Micro switches used in low voltage side to turn the SS#2, SS#3 & SS#4 on when the drawer or cabinet doors are opened.

PS#2: TEB-60-12DC used with electronic low voltage dimmer to dim the SS#1, SS#5, SS#6, SS#7, SS#8, and SS#9.

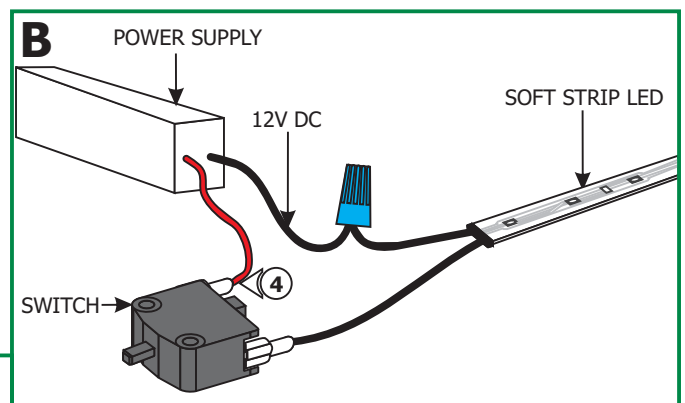
SW#3: Micro switch is used in line voltage side to bypass the dimmer and turn to top cabinet soft strips to full power when the cabinet doors are opened.

Install the Micro Switch

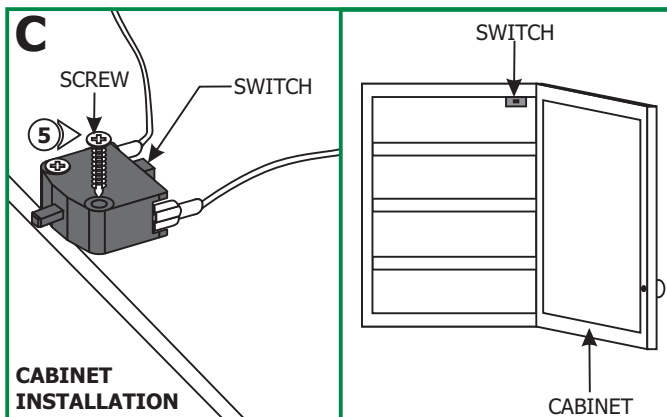


NOTE: The soft strip LED and power supply should be installed prior to these steps.

- 1:** Insert the soft strip wire connected to the "+ DC" side of the strip into the terminal connector and use the crimper on the cylindrical portion of the terminal connector to secure the wire.
- 2:** Connect the other soft strip wire connected to the "- DC" side of the strip to the black power supply wire marked "- DC" with a wire nut.
- 3:** Connect the red power supply wire marked "+ DC" into the other terminal connector and use the crimper on the cylindrical portion of the terminal connector to secure the wire.



- 4:** Insert each terminal connector onto one switch prong.



NOTE: For best results install the switch as close as possible to the cabinet door hinge or drawer, (shown in drawing C).

- 5:** Properly align the switch position with the cabinet door or drawer and secure it in place with the provided phillips screws.

