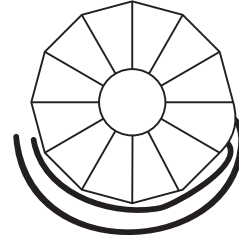


## Installation Instructions for **Dimming Debuzzing Coil**

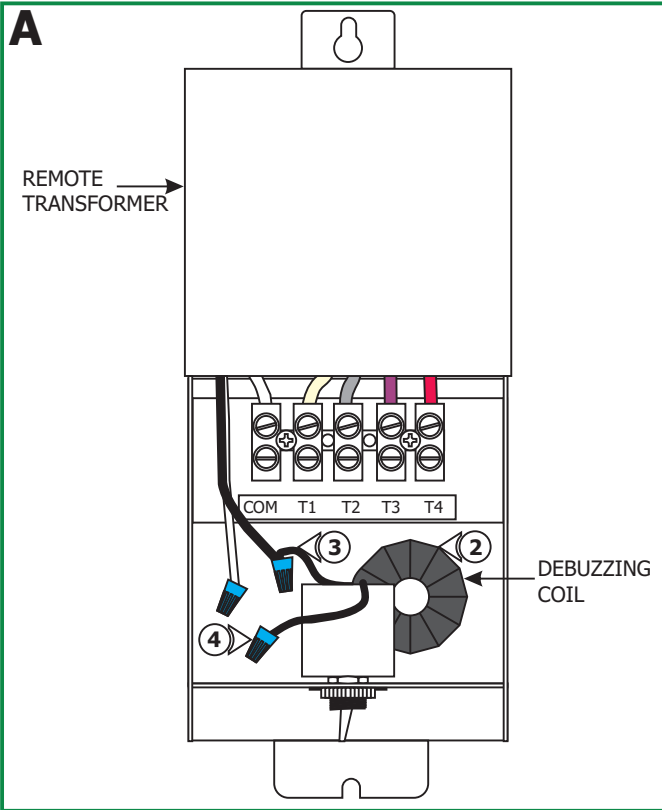
### IMPORTANT INFORMATION

- This product is ETL listed for indoor dry locations.

**SAVE THESE INSTRUCTIONS!**

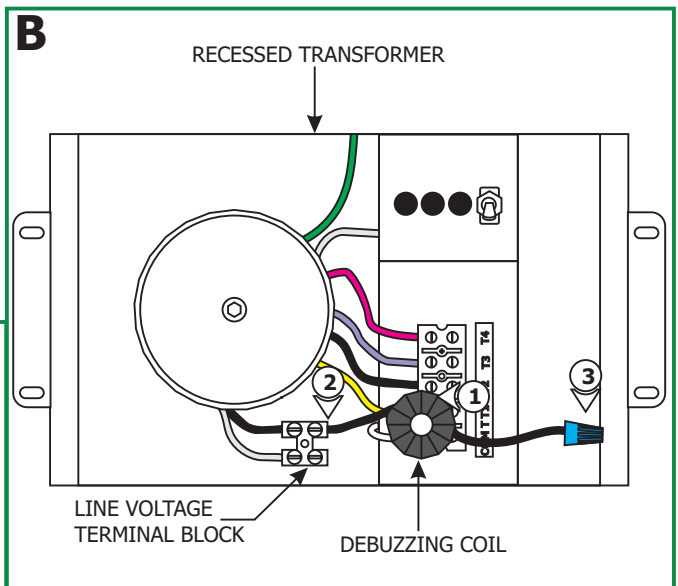


## Install Debuzzing Coil to the Remote Transformer



- 1:** Loosen the two Phillips screws on the sides of the transformer to remove the transformer cover.
- 2:** Place the dimming coil inside the transformer.
- 3:** Connect the black transformer wire to one of the dimming coil wires (either one) with a wire nut.
- 4:** The other dimming coil wire should be connected to the hot power wire. (Refer to the instructions provided with the remote transformer to complete the installation).

## Install Debuzzing Coil to the Recessed Transformer



- 1:** Place the dimming coil inside the transformer.
- 2:** Insert one of the dimming coil wires (either one) into the line voltage terminal block that is in line with the black wire and tighten the screw.
- 3:** The other dimming coil wire should be connected to the hot power wire. (Refer to the instructions provided with the recessed transformer to complete the installation).