

## Installation Instructions for 75 Watt 24 Volt DC Power Supply

### GENERAL INFORMATION

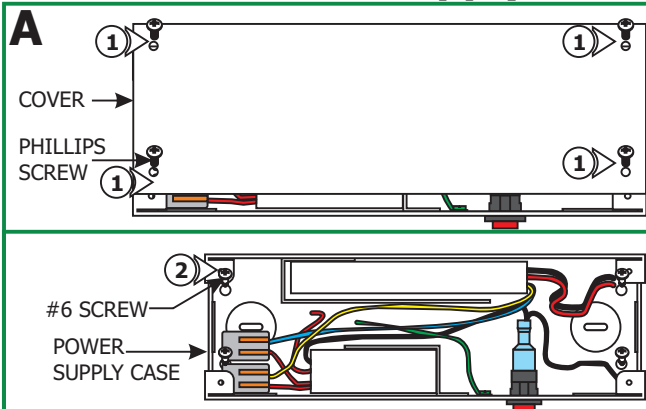
- **RISK OF FIRE:** This product must be installed by a qualified electrician. Turn the power to the electrical box off during installation. Read the "Important Safety Instructions" before installation.
- This product is not suitable for wet locations. It is approved for the use at any height above the finished floor.
- A typical installation is shown. Specific installation must be in accordance with the local electrical codes.
- **TO REDUCE RISK OF FIRE,** it is important to wire the power supply for the system as described in this installation instruction.
- Load the power supply to **MAXIMUM 75** Watts.

**SAVE THESE INSTRUCTIONS!**

### IMPORTANT SAFETY INSTRUCTIONS

- Do not install this power supply in a wet location.
- To reduce the risk of the system overheating and possibly causing a fire, make sure all the connections are tight.
- Do not install \*LED fixture closer than three inches or as specified in the \*LED fixture installation instructions to curtains or similarly combustible materials. Keep insulation at least 3" away from the enclosure.
- Turn the electrical power off before modifying the lighting system in any way.
- The system is "ETL" listed for USA and Canada only when all the products used are supplied by Edge Lighting.
- For dimming options refer to EDGELIGHTING.COM.
- \* See LED fixture installation instructions for proper placement.

## Install the Power supply

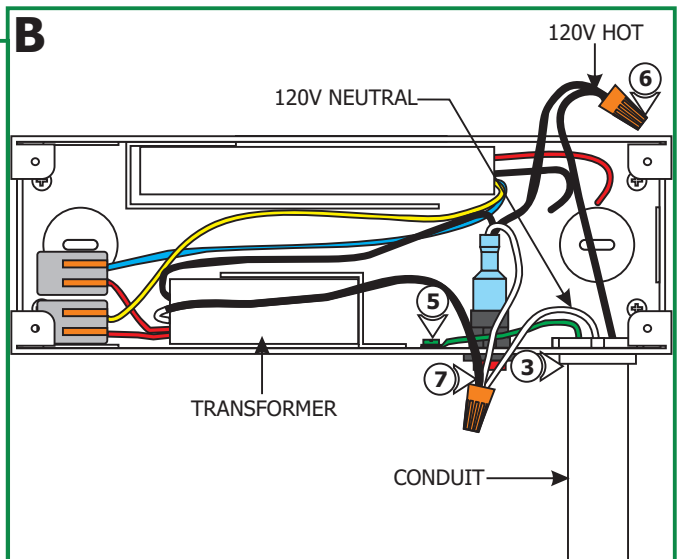


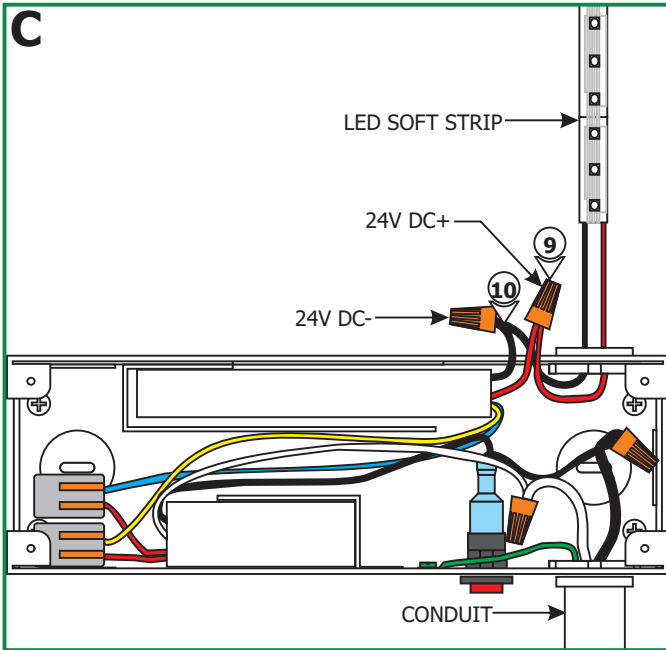
- 1:** Loosen and remove the four Phillips screws on the top of the power supply to remove the cover.
- 2:** Secure the power supply case to the desired location with the four #6 screws provided.

- 3:** Install a conduit and power wires from the panel to the power supply.
- 4: DO NOT** connect the power wires to the panel at this time.
- 5:** Ground the power supply housing in accordance with local electrical codes.
- 6:** Connect the 120 volt hot black wire coming from the power supply switch to the hot power wire with a wire nut.

**NOTE:** The bottom white wire coming from the switch is for the switch light. If not using the switch light, cap the wire with a wire nut.

- 7:** Connect the 120 volt neutral wire to the white (wrapped in black heat shrink) wire coming from the transformer and to the white wire coming from the power supply switch (optional) with a wire nut.





**NOTE:** In order to use small gauge wires from the power supply to the LED fixture, it is recommended to install the power supply as near as possible to the LED fixture. See "Low Voltage Wire Size Chart" below.

**8:** Use the "Low Voltage Wire Size Chart" below to determine the proper wire size connecting the power supply wires to the LED soft strip wires.

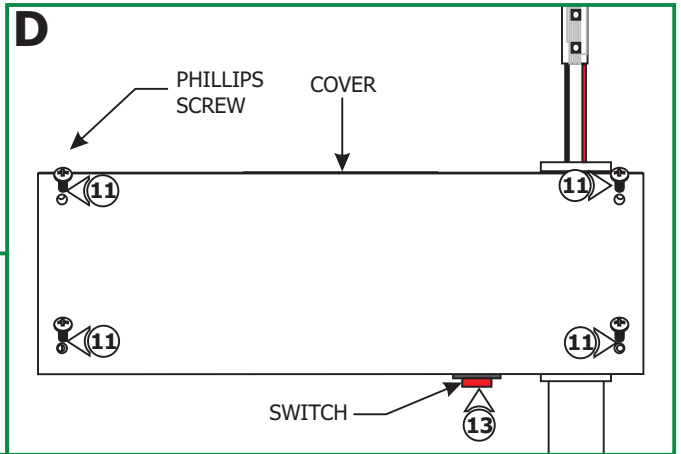
**NOTE:** Maximum length of a single soft strip to be connected to the power supply is 25' for SS3 and 40' for SS2P. Maximum total load is **75** watts.

**NOTE:** Use only 24 volt LED soft strip with this power supply.

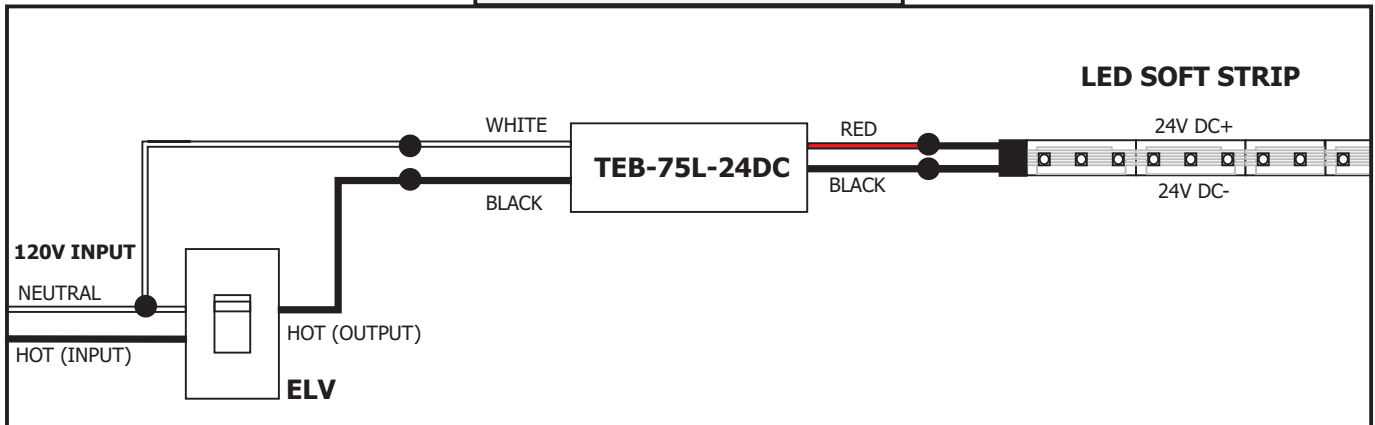
**9:** Connect the red (24V DC+) power supply wire to the red wire of each LED soft strip with a wire nut.

**10:** Connect the black (24V DC-) power supply wire to the black wire of each LED soft strip with a wire nut.

- 11:** Replace the power supply cover and tighten the four Phillips screws on top of the cover.
- 12:** Connect the 120 volt power wires at the panel.
- 13:** Turn on the power.



**Overall Wiring Diagram**



**LOW VOLTAGE WIRE SIZE CHART**

TRANSFORMER WATTAGE	WIRE SIZE UP TO 48 FT	WIRE SIZE FOR 49-65 FT	WIRE SIZE FOR 66-107 FT
75 WATT 24 Volt	#14 GA	#12 GA	#10 GA