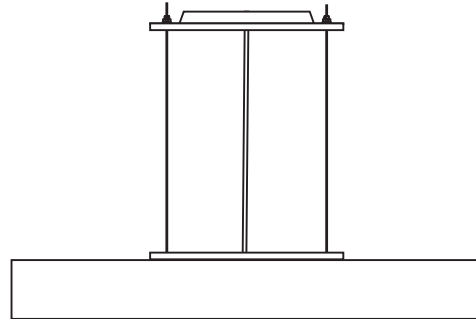


Installation Instructions for Vega Round and Oval (Halogen Version)

IMPORTANT SAFETY INSTRUCTIONS

To reduce the risk of fire, electrical shock, exposure to excessive UV radiation, or injury to persons:

- Do not look directly at the lamp while the fixture is on.
- **RISK OF FIRE:** Use only the type of lamp and maximum wattage indicated in this instruction manual.
- Never cover the halogen lamp with anything other than a lamp shield provided by Edge Lighting and never place flammable material close to the fixture.
- Never turn the fixture on and off by connecting and disconnecting the halogen lamp.
- Do not touch the fixture head, shade or lamp shield while the fixture is on. These surfaces may be **VERY HOT**.
- Do not touch lamp at anytime. Use a soft cloth instead as oil from skin may damage lamp.
- It is normal for a new halogen lamp to produce minor smoke when first turned on.
- Do not operate the luminaire with a missing or damaged shield.
- Turn power off and allow to cool before replacing lamp.

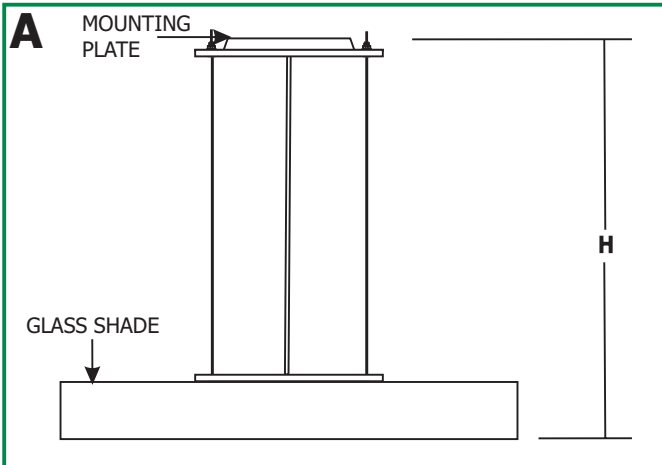


IMPORTANT INFORMATION

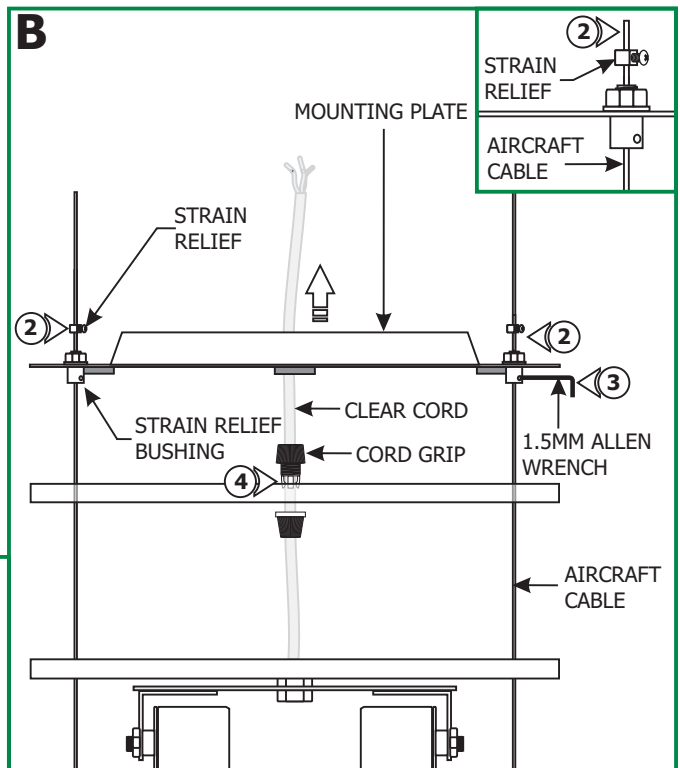
- This product is ETL listed for indoor locations.
- This product can **ONLY** be ceiling mounted.
- This product can mount to either a 4" square electrical box with round plaster ring or an octagon electrical box.
- This product can be dimmed with a low voltage electronic dimmer.

SAVE THESE INSTRUCTIONS!

Adjust the Fixture Height



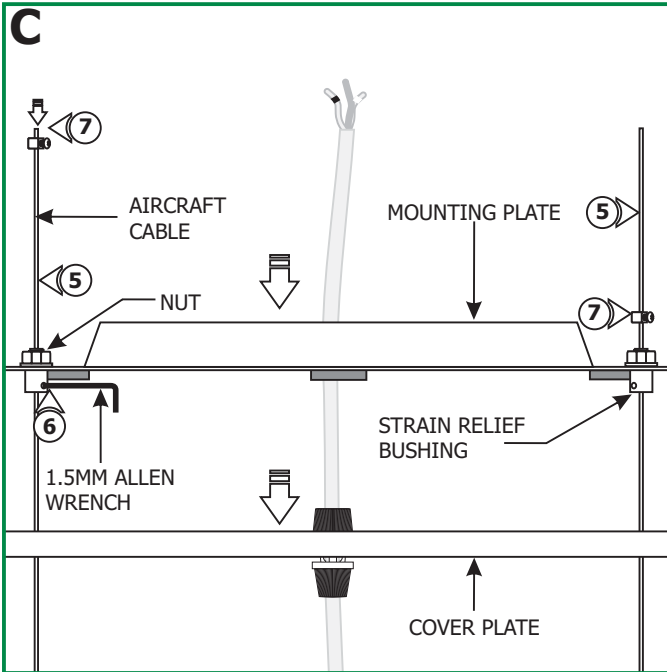
1: Determine the desired fixture height (**H**), from the bottom of the glass shade to the top the mounting plate.



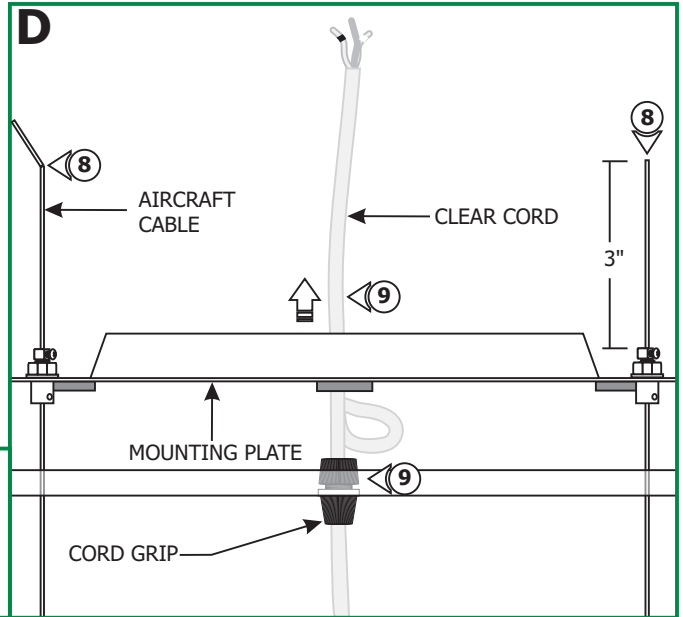
2: Loosen the Phillips screw on each of the strain reliefs (**Do Not Remove**).

3: Loosen the set screws on the strain relief bushings with the provided 1.5mm Allen wrench.

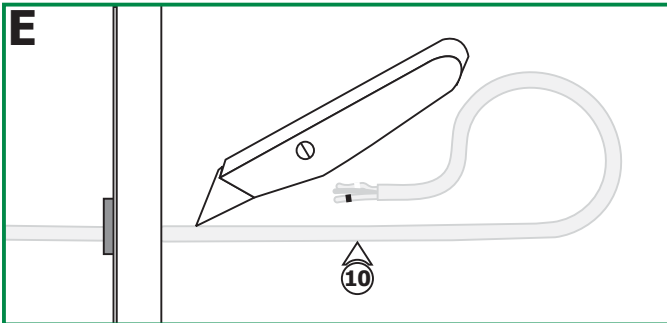
4: Loosen the cord grip to adjust the clear cord.



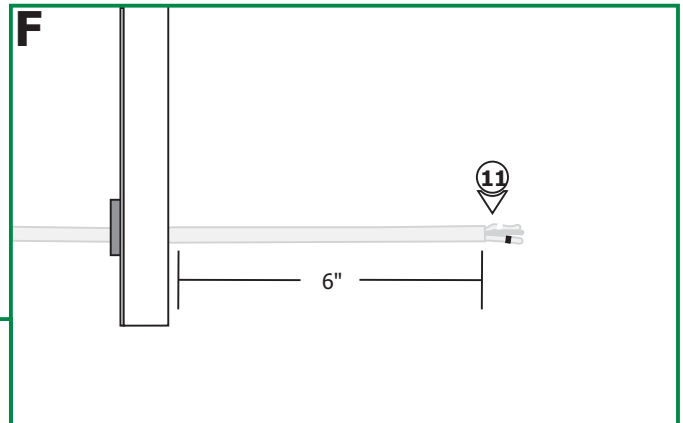
- 5:** While holding the aircraft cables slide the mounting plate, cover and the socket assembly down until the desired height is achieved.
- 6:** Tighten the set screw on each strain relief bushing with the 1.5mm Allen wrench.
- 7:** Slide the strain relief down the aircraft cable against the mounting plate and tighten the Phillips screw. Repeat this step for the remaining strain reliefs.



- 8:** Cut the excess aircraft cables off with a sharp cutter (Leave at least 3" of the cable behind the strain reliefs).
- 9:** Pull the excess clear cord out of the mounting plate and tighten the cord grip.

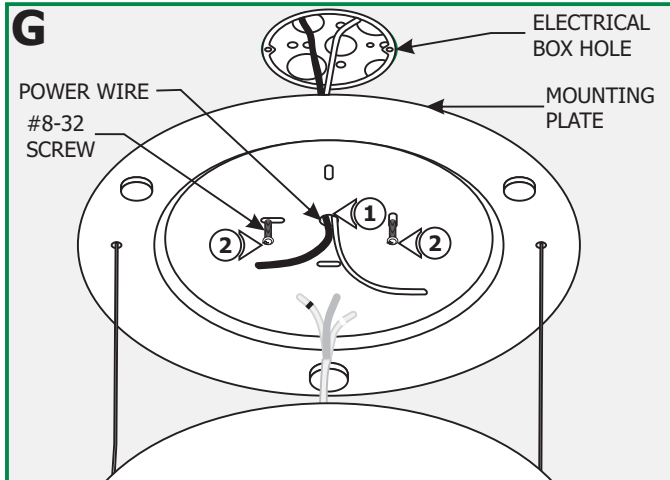


- 10:** From the end of the clear cord, strip the outer insulation using a sharp knife. **Make sure not to nick the inner wires and trim off the cutout insulation.**



- 11:** Replace the wires with the black and white tags near the insulation. Leave 6" of the wire behind the mounting plate for power connection. Trim off the excess wires.

Install the Fixture

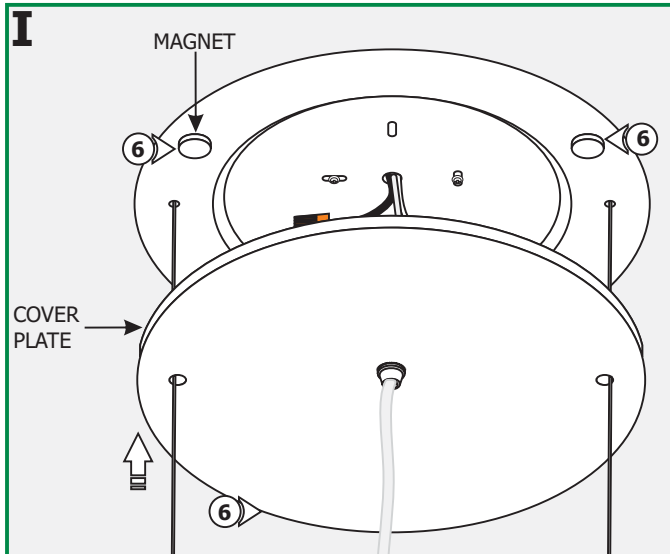
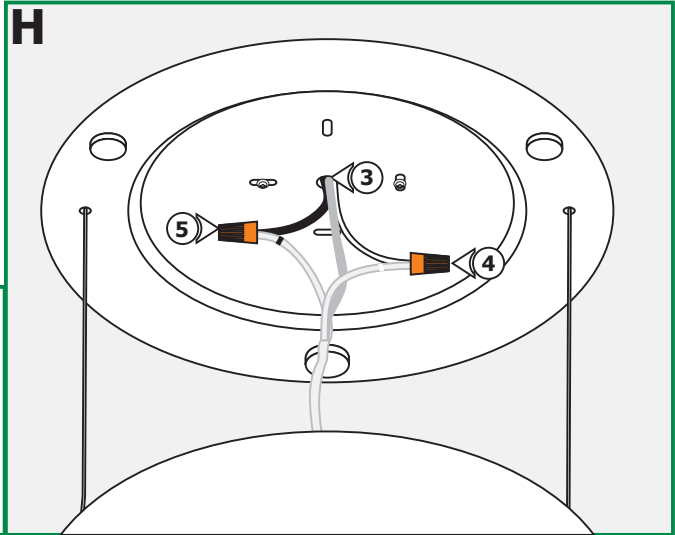


NOTE: Make sure the glass shade is detached.

NOTE: Use the provided universal crossbar if the mounting plate holes do not line up with the electrical box holes.

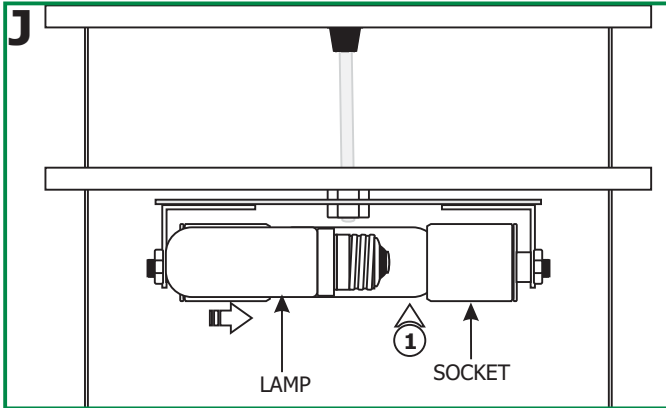
- 1:** Feed the power wires through the mounting plate center hole.
- 2:** Secure the mounting plate to the electrical box holes with the two #8-32 screws provided.

- 3:** Make sure the mounting plate and the bare wire is grounded in accordance with local electrical codes.
- 4:** Connect the clear wire with a white tag to the neutral power wire with a wire nut.
- 5:** Connect the clear wire with a black tag to the hot power wire with a wire nut.



- 6:** Slide the cover plate up against the mounting plate, the magnets will hold the cover plate in place.

Install the Lamps and Shade

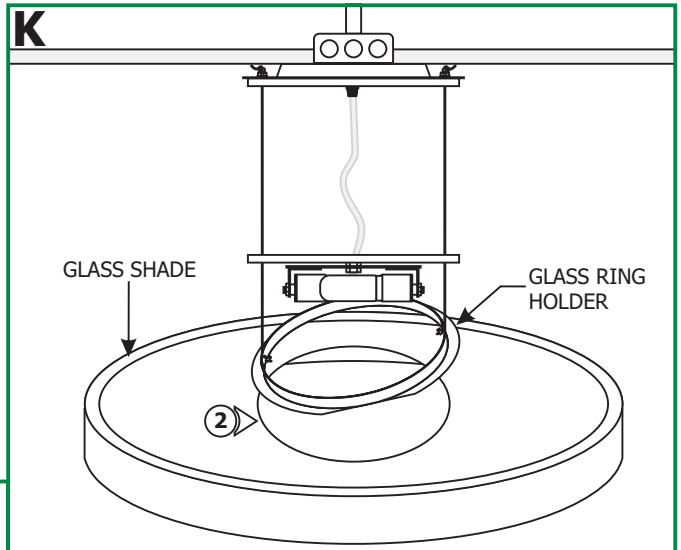


CAUTION: To reduce risk of a burn or electrical shock during lamping, disconnect the power to the fixture.

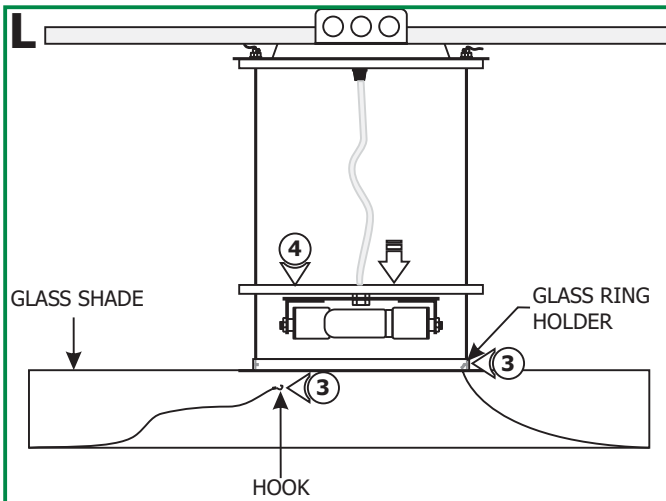
Use **MAX 150** Watt Type T10 Medium Base Halogen Lamp For Each Socket.



1: Screw each lamp completely into the socket holes.

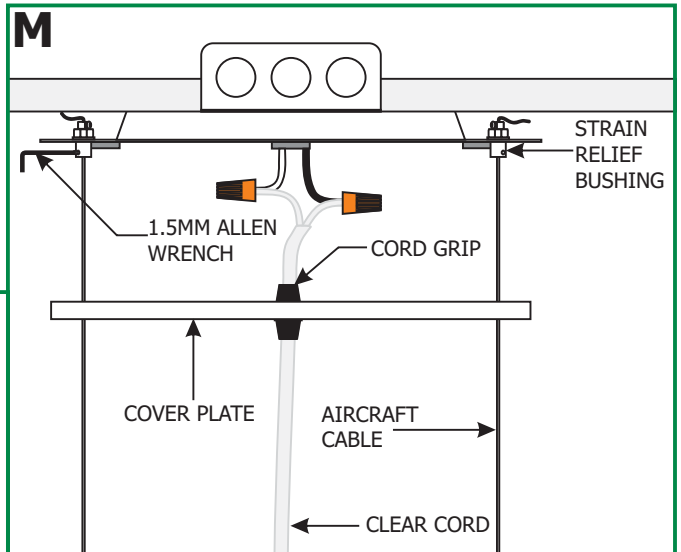


2: Insert the glass ring holder on an angle into the glass shade center hole and lay the glass shade on the glass ring holder.



3: To secure the glass shade in place, use the hooks inside the glass shade and hook them inside of the glass ring holder.

4: Lower the socket assembly into the glass shade.



5: If the glass shade is not leveled horizontally, slide the cover plate down to expose the mounting plate.

6: Readjust the uneven aircraft cable by loosening the set screw on the strain relief bushing with the 1.5mm Allen wrench. Push the aircraft cable in and re-tighten the set screw.

7: Slide the cover plate up against the mounting plate.