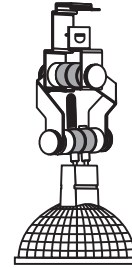


## Installation Instructions for **Monorail Vespa**

### IMPORTANT SAFETY INSTRUCTIONS

To reduce the risk of fire, electrical shock, exposure to excessive UV radiation, or injury to persons:

- Use this fixture indoors only.
- Do not look directly at the lamp while the fixture is on.
- **RISK OF FIRE:** Use only the type of lamp and maximum wattage indicated in this instruction manual.
- Never cover the halogen lamp with anything other than a lamp shield provided by Edge Lighting and never place flammable material close to the fixture.
- Never turn the fixture on and off by connecting and disconnecting the halogen lamp.
- Do not touch the fixture head, shade or lamp shield while the fixture is on. These surfaces may be **VERY HOT**.
- Do not touch lamp at anytime. Use a soft cloth instead as oil from skin may damage lamp.
- It is normal for a new halogen lamp to produce minor smoke when first turned on.
- Do not operate the luminaire with a missing or damaged shield.
- Turn power off and allow to cool before replacing lamp.



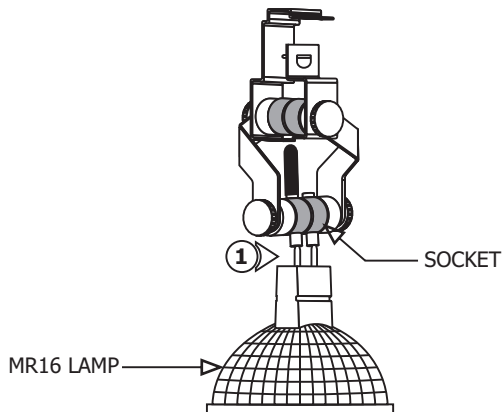
### IMPORTANT INFORMATION

- This product is ETL listed for indoor dry locations.
- This product is not restricted to certain height installation. It is approved to be used at any height above the floor.
- Applicable accessories are Hexcell Louver, Glass Lenses, Little Shady Mesh Back Shade, Little Shady Solid Back Shade & Round Glass Back Shade.

**SAVE THESE INSTRUCTIONS!**

## Install the Fixture

**A**



**CAUTION:** To reduce risk of a burn or electrical shock during lamping, disconnect the power to the fixture.

Use **MAX 75 Watt**, Type MR16 Front Glass Cover Halogen Lamp.



**1:** Push the MR16 lamp pins completely into the socket holes.

- 2:** Place the open part of the fixture spring arms onto bottom of the Monorail.
- 3:** Rotate the fixture until the tab of the long spring arm snaps completely onto the top of the Monorail.
- 4:** After aiming the fixture lamp, tighten the two knurled screws to ensure proper power connection.

**B**

