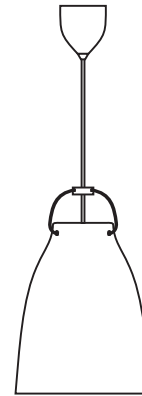


## Installation Instructions for **Vessel 16 Suspension**

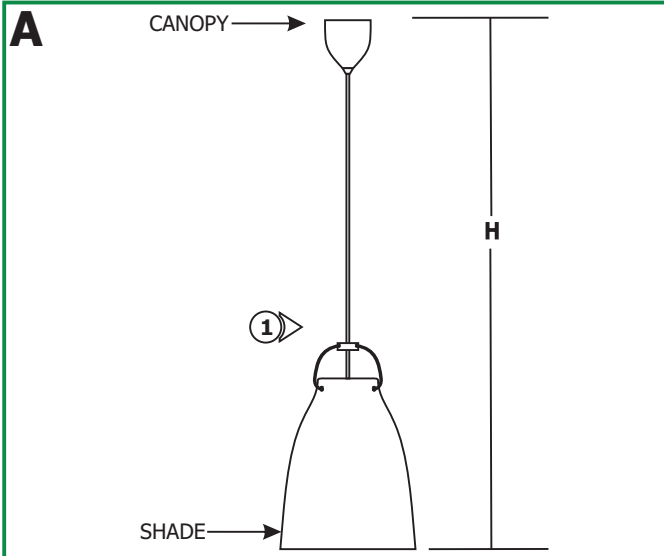
### IMPORTANT INFORMATION

- This product can **ONLY** be ceiling mounted.
- This product can mount to either a 4" square electrical box with round plaster ring or an octagon electrical box.

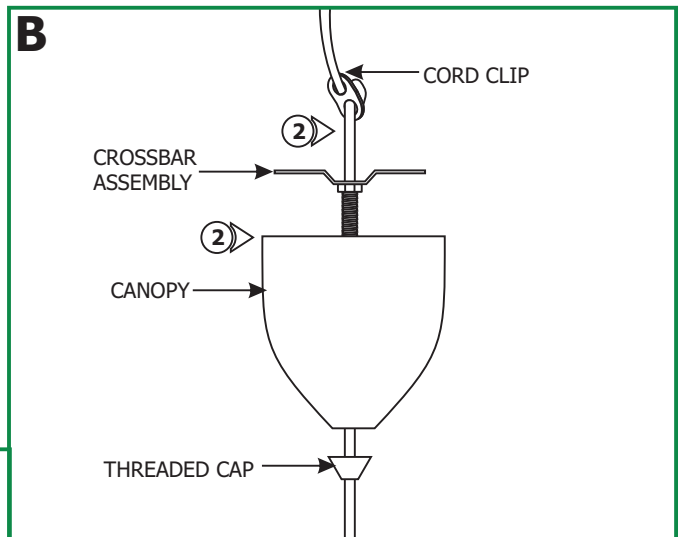
**SAVE THESE INSTRUCTIONS!**



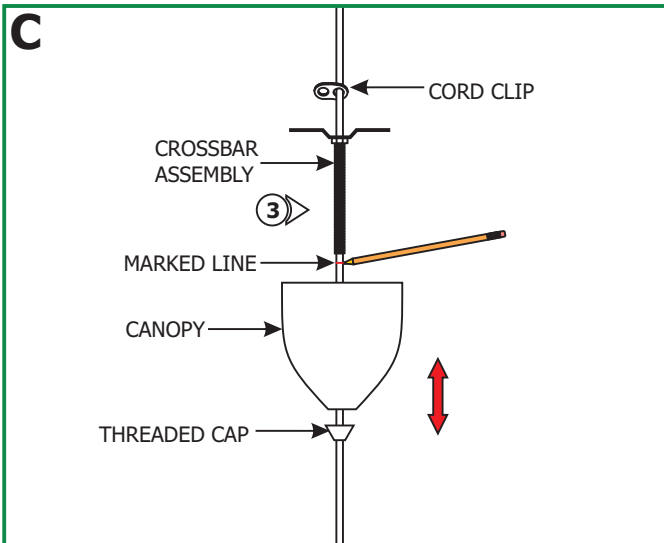
## Install the Fixture



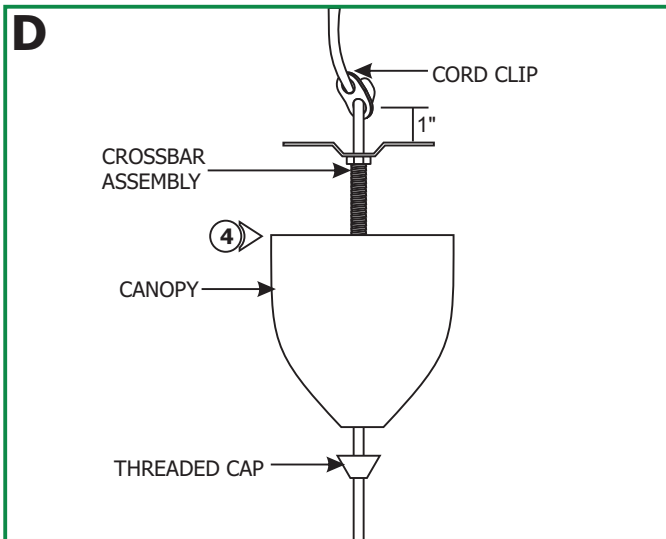
**1:** Determine the desired fixture height (**H**), from the bottom of the shade to the top of the canopy.



**2:** Loosen the threaded cap, to expose the crossbar assembly and also entangle the cord from the cord clip.  
**Do Not Disassemble, Keep Parts in Order.**

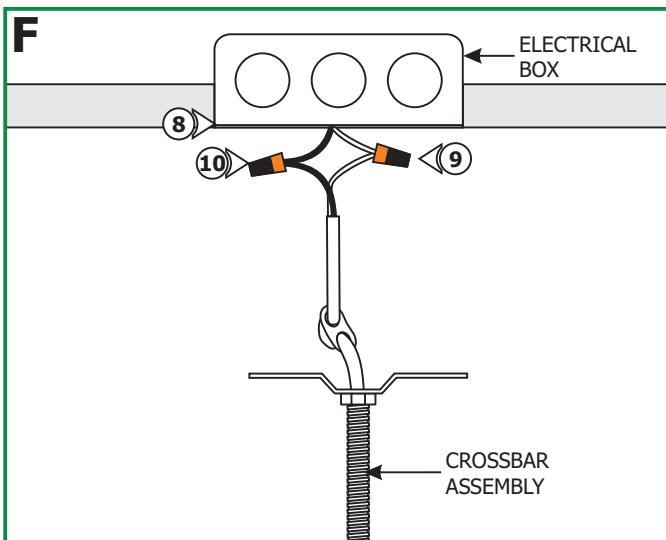
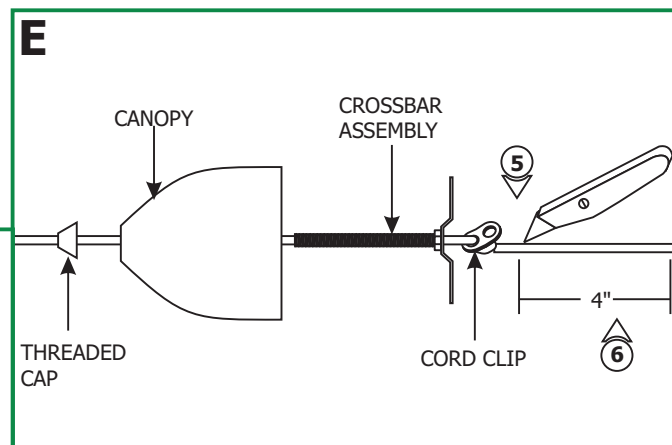


**3:** Adjust the fixture height by sliding the cord up or down through the crossbar. Make a line behind the crossbar assembly when desired height is determined.



**4:** Place the cord clip 1" above the marked line by feeding the cord through the second hole on the cord clip and pulling it out to lock in place.

- 5:** Leave 6" of the cord behind the crossbar assembly for power connections. Cut the excess cord.
- 6:** From the end of the cord remove 4" of the cord insulation.
- 7:** Strip 1/4" of the insulation from the end of the wires.

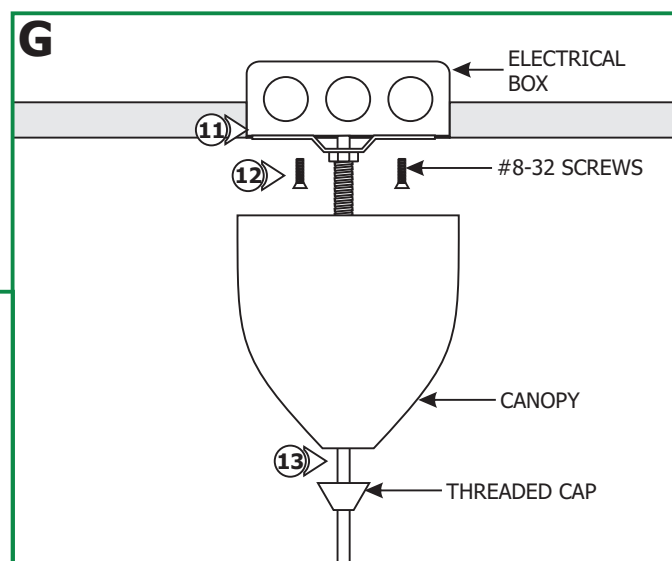


**8:** Make sure that the canopy is grounded in accordance with local electrical codes.

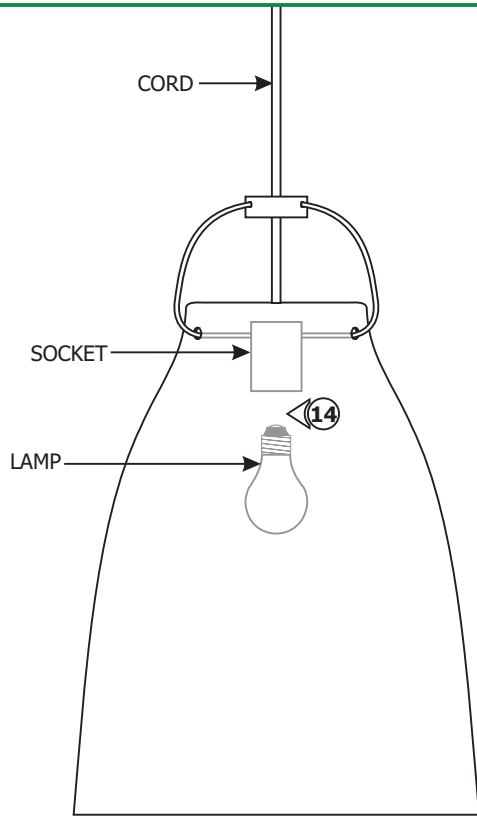
**9:** Connect the fixture white wire to the neutral power wire with a wire nut.

**10:** Connect the fixture black wire to the hot power wire with a wire nut.

- 11:** Place all wires and wire nut connections inside the electrical box.
- 12:** Mount the crossbar assembly to the electrical box holes with the provided two #8-32 screws.
- 13:** Slide the canopy up onto the crossbar assembly and secure it in place by tightening the threaded cap to the crossbar assembly nipple.



**H**



**CAUTION:** To reduce risk of a burn or electrical shock during lamping, disconnect the power to the fixture.

Use **MAX 100** Watt, bulb type A19, E26 base lamp.



**14:** Screw the lamp completely into the socket.