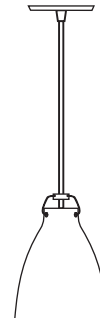


Installation Instructions for Vessel 6 Suspension

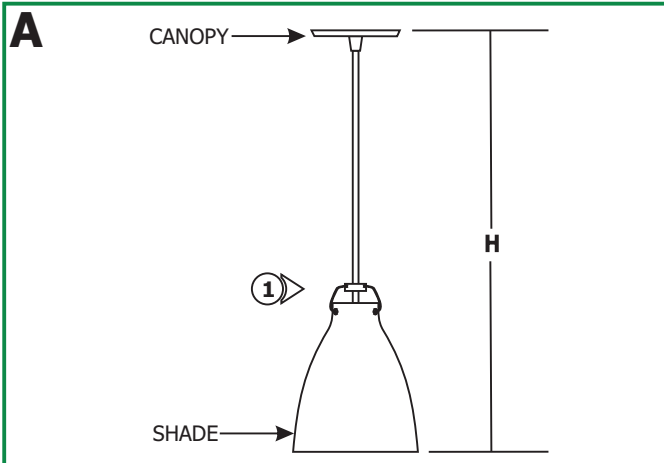
IMPORTANT INFORMATION

- This product can **ONLY** be ceiling mounted.
- This product can mount to either a 4" square electrical box with round plaster ring or an octagon electrical box.

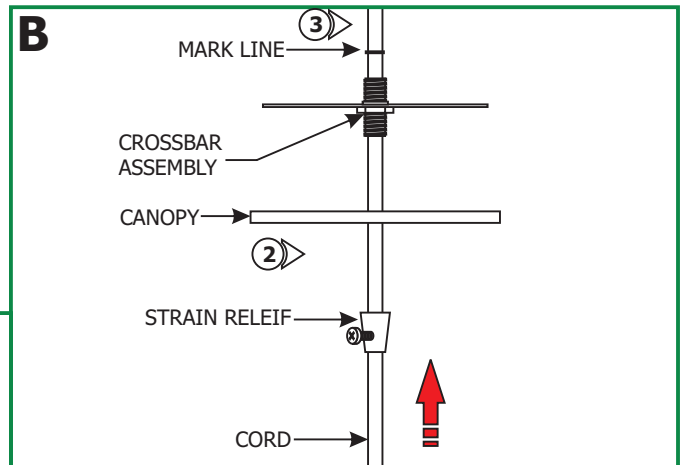
SAVE THESE INSTRUCTIONS!



Install the Fixture

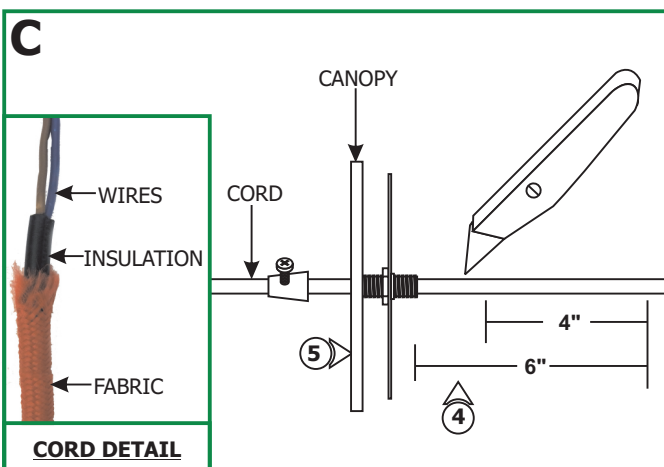


- 1:** Determine the desired fixture height (**H**), from the bottom of the shade to the top of the canopy.



- 2:** Insert the cord into the strain relief, canopy, and crossbar assembly.

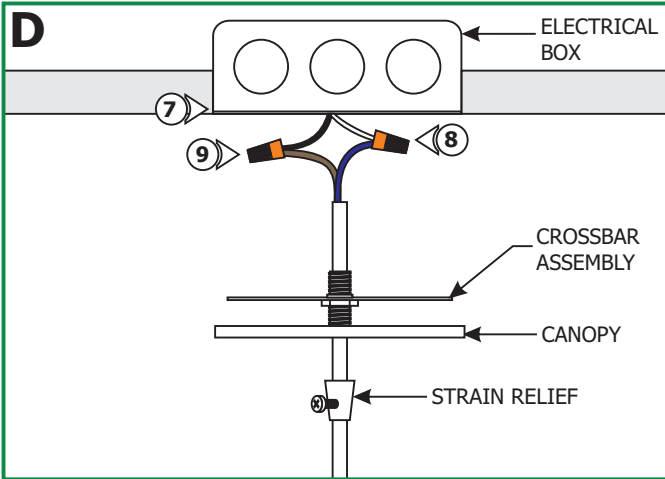
- 3:** Adjust the fixture height, and mark a line when the desired height is achieved.



- 4:** Leave 6" of the crossbar assembly behind the canopy for power connections. Cut the excess cord.

- 5:** From the end of the cord remove 4" of the cord fabric/insulation. **Make sure not to nick the inner wires and trim off the cutout insulation.**

- 6:** Strip 1/4" of the insulation from the end of the wires.



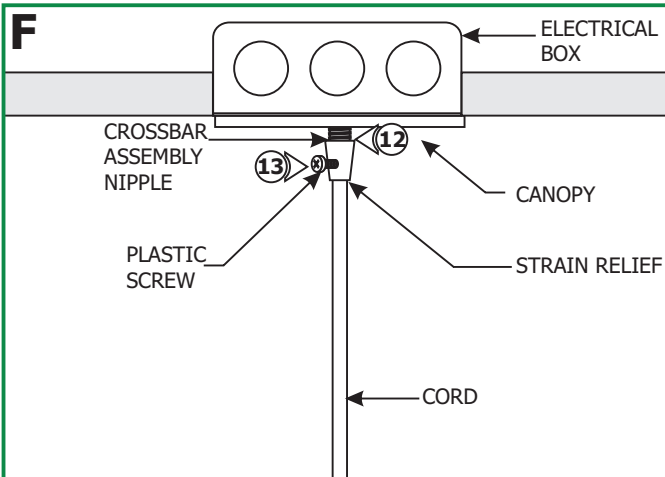
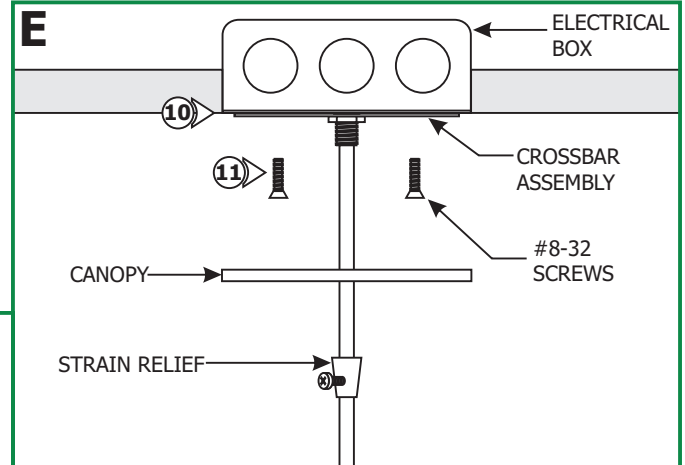
7: Make sure that the canopy is grounded in accordance with local electrical codes.

8: Connect the fixture blue wire to the neutral power wire with a wire nut.

9: Connect the fixture brown wire to the hot power wire with a wire nut.

10: Place all wire and wire nut connections inside the electrical box.

11: Mount the crossbar assembly to the electrical box holes with the provided #8-32 screws.



12: Slide the canopy into the crossbar assembly nipple and secure using the strain relief.

13: Slightly tighten the plastic screw on the strain relief to avoid the cord from sliding down.

CAUTION: To reduce risk of a burn or electrical shock during lamping, disconnect the power to the fixture.

Use **MAX 40** Watt Type E14 base, torpedo style candelabra lamp.



14: Screw the lamp completely into the socket.

