

Aurora Dual MR16 Round Edge 3.3 aperture

AH2D-ADRE3

Protected by Patent Number 7,476,008.



3.3 aperture
Truly Trimless

All Housings
IC and Air
Tight Rated

Description: Specification grade, recessed, adjustable accent fixture for plaster or drywall construction. The flush mounted rigid plaster plate, which is finished into the ceiling, maintains a flat finish and defines the Truly Trimless Pure edge (knife edge) 3.3" (84mm) aperture. Combined with the Aurora dome and the tilt gear hidden behind the lamp creates a clean internal look.

Lamp: MR16 12V 37W IR maximum (per socket) or MR16 LED 12V 7W.

Adjustability: Hot-aiming with #2 Philips screwdriver offers 20 to 45 degree vertical adjustment and 362 degree horizontal rotation without beam clipping.

Housing: Includes standard 120V magnetic transformer, IC and air-tight, suitable for remodel or new construction (120V, 230V and 277V versions available, standard with electronic transformer).

Dome: Anodized soft haze finish. Hides electrical hardware and tilts for easy access to junction box and transformer.

Plaster Plate: Aluminum Plaster Plate is primed and ready for painting. Mounts flush with the ceiling.

Mounting: Self-leveling U-shape telescoping hanger bars extend to allow mounting between studs 13 1/4" - 24" (336-609mm). Designed to accommodate ceiling thickness from 1/2" (13mm) to 1 1/4" (32mm).

Trims: Truly Trimless.

Snoot: Each snoot carries the lamp, a soft focus lens (included) and two optional accessories (see accessories spec sheet).

Electrical: 120V input (standard) 11.8V output, U.L. and C-U.L. listed for damp location.

AURORA ORDERING CODE FOR COMPLETE FIXTURE:

120V Standard Magnetic Transformer

Collection
IC Housing Function Plaster Plate

AH2D - ADRE3

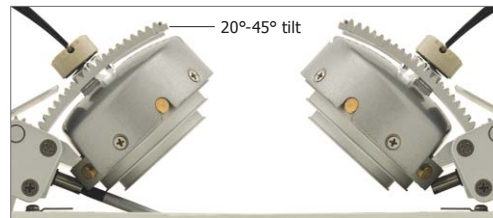
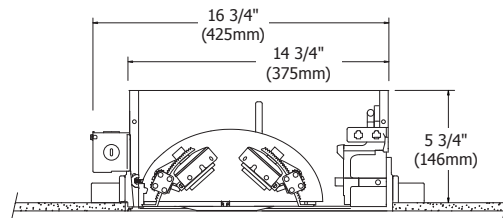
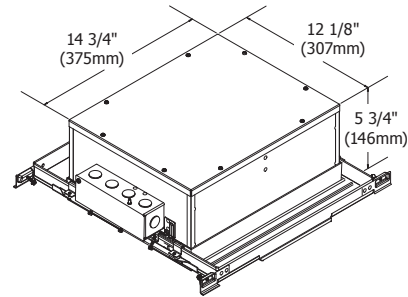
Aurora	Accent
Halogen	Dual-Lamp
#2D Dual MR16 Housing	Round Edge
	3.3" Aperture

Electronic Transformers

Collection
IC Housing - Voltage Function Plaster Plate

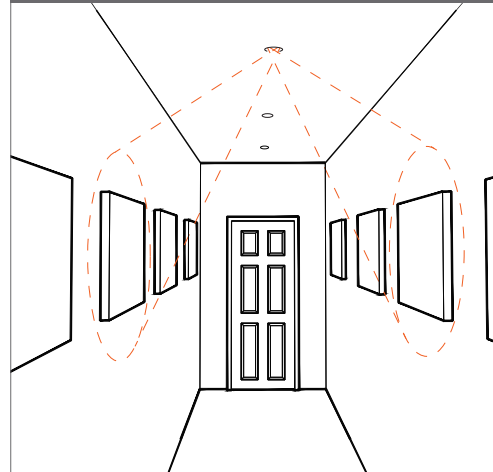
AH2D - 1 - ADRE3

Aurora	1 - 120V 50/60Hz	Accent
Halogen	2 - 230V 50/60Hz	Dual-Lamp
#2D Dual MR16 Housing	3 - 277V 50/60Hz	Round Edge
		3.3" Aperture



DUAL ADJUSTABLE ACCENT

Ideal for the finest hallways, the Aurora Dual Adjustable Accent features two opposing lamps. Fixed 180 degrees apart, these lamps simultaneously illuminate facing walls. Lamps rotate, in unison, a total of 362 degrees and offer independent vertical adjustment from 20 - 45 degrees.

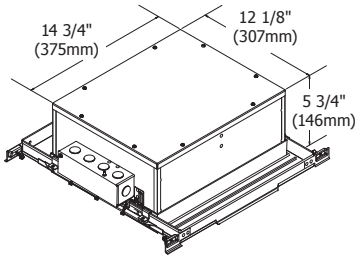


COMPANY		FIXTURE TYPE		DATE	
PROJECT		APPROVED BY			

Product specification subject to change without notification. REV. 8.28.12

www.purelighting.com
Ph: 773.770.1196 • Fax: 773.883.6128 • Fullerton Chicago, IL 60614





AH2D-ADRE3
(Complete Fixture)

INDIVIDUAL COMPONENTS

120V Standard Magnetic IC Housing Part # **AH2D - 120V 60Hz**

Electronic USA & International IC Housing Part # **AH2D-1 - 120V 50/60Hz**
AH2D-2 - 230V 50/60Hz
AH2D-3 - 277V 50/60Hz

AH2D Housings Accept Trimless Plaster Plates.

Plaster Plate Part # **ADRE3**

Dual-Lamp Accent Round Edge 3.3"

Trim Part #

No Trim Truly Trimless

2" Lens Accessories

PART #	COLORS
--------	--------



Dichroic Lenses

- L16-RD RED
- L16-AM AMBER
- L16-YL YELLOW
- L16-GR GREEN
- L16-BL BLUE
- L16-PH PEACH
- L16-MG MAGENTA
- L16-CY CYAN
- L16-DB DARK BLUE
- L16-DP DARK PINK



Optical Lenses

- L16-F FROST
- L16-SF SOFT FOCUS
- L16-MD MEDIUM DIFFUSER
- L16-WD WIDE DIFFUSER
- L16-WDF WIDE DIFFUSER FROSTED
- L16-LS LINEAR SPREAD
- L16-LSF LINEAR SPREAD FROSTED



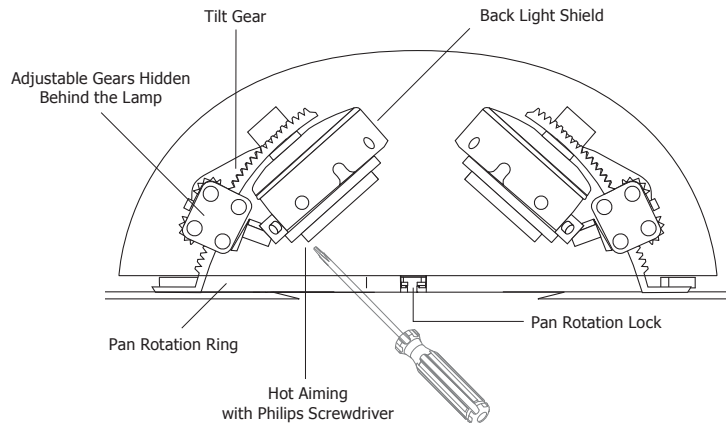
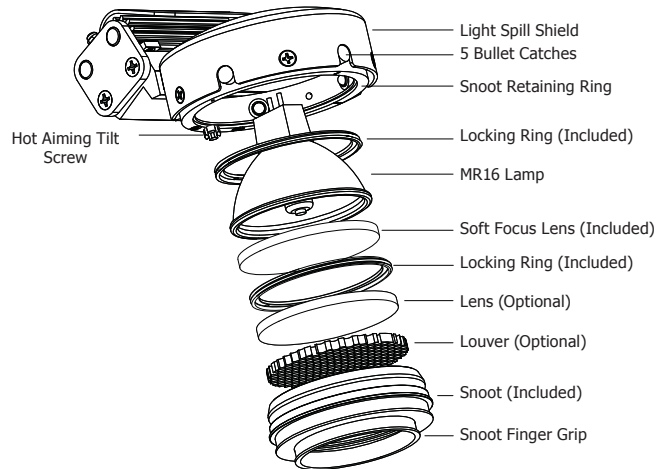
Hexcell Louver

- LO16-H HEXCELL LOUVER



U.V. Filter

- L16-UV U.V. FILTER



COMPANY		FIXTURE TYPE		DATE	
PROJECT		APPROVED BY			