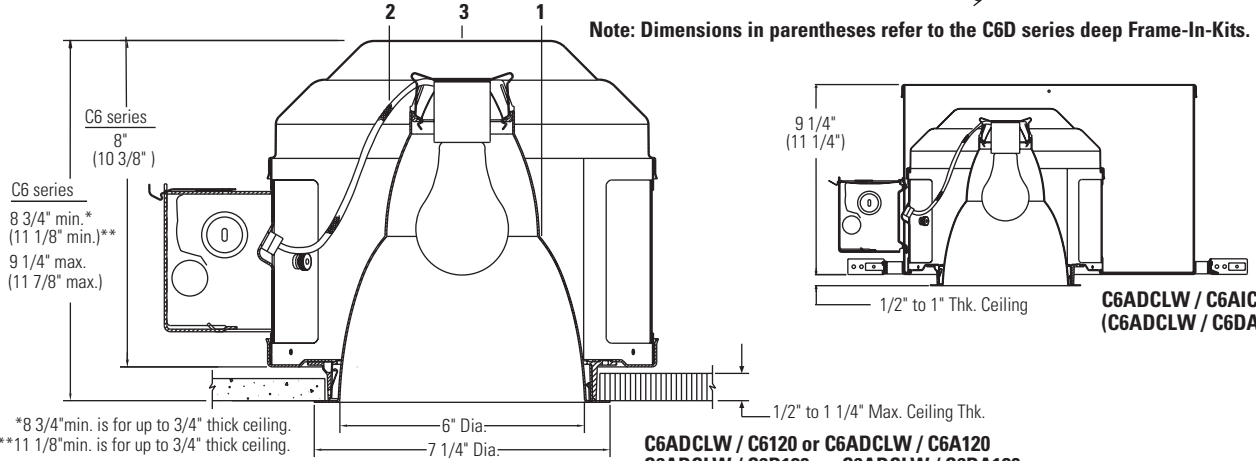
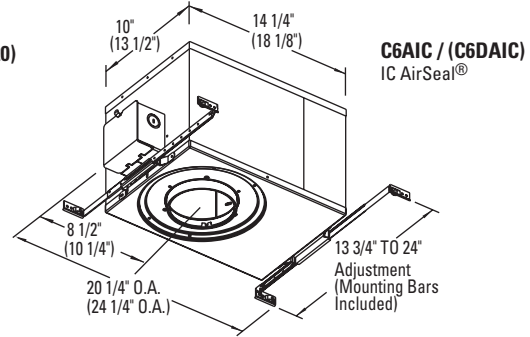
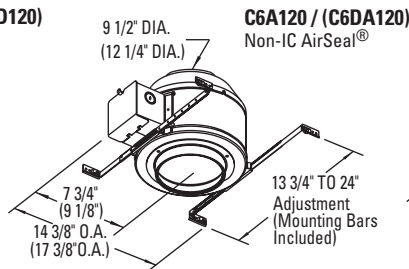
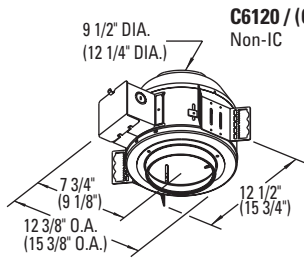




Calculite® Evolution Incandescent Open Downlight **C6AD**



Ceiling Cutout: 6 11/16" Dia.

| Reflector Trim | | Frame-In Kit | | | | | |
|--------------------------------------|---|----------------|-----------------------------|---------------------|----------------------------------|----------------------|---|
| C6AD CLW | Specular Clear, White Flange | Shallow Non-IC | Shallow Non-IC AirSeal® | Shallow IC-AirSeal® | Deep Non-IC | Deep Non-IC AirSeal® | Deep IC-AirSeal® |
| C6AD CLP | Specular Clear, Polished Flange | C6120 | C6A120 | C6AIC | C6D120 | C6DA120 | C6DAIC |
| C6AD <input type="checkbox"/> | Add suffix. See options for other finishes. | | 100W A19, MB19 100W BT15 | | 100W A19, BT15, MB19 150W A21 | | 100W A19, MB19 100W BT15 150W A21 |

Features

- Reflector:** 16 ga. aluminum, 50° visual cut-off to lamp and lamp image, medium spread distribution. Available with painted white or polished flange. Interchangeable with other Evolution 6" line voltage trims.
- Socket Harness:** Spring tension clips snap into die-cast aluminum top at pre-focused positions insuring correct optical alignment. Medium base porcelain socket with nickel plated screw shell, No. 18 SF-1 leads to keyed plug-in quick connector for power connection to junction box.
- Frame-in-Kit:** Compatible frame-in kits are listed above. See separate frame-in kit specification sheets for details.
 - Non-IC and Non-IC AirSeal® - Insulation must be kept 3" away from fixture sides and wiring compartments and must not be placed above fixture in a manner which will entrap heat.
 - IC-AirSeal® - Fixture may be in direct contact with insulation.

Options & Accessories

Reflector Finishes¹

- Clear: CL
- Comfort Clear Diffuse: CCD
- Champagne Bronze: CCZ
- Gold: GD
- White: WH

¹Specify desired flange: **W** White, **P** Polished

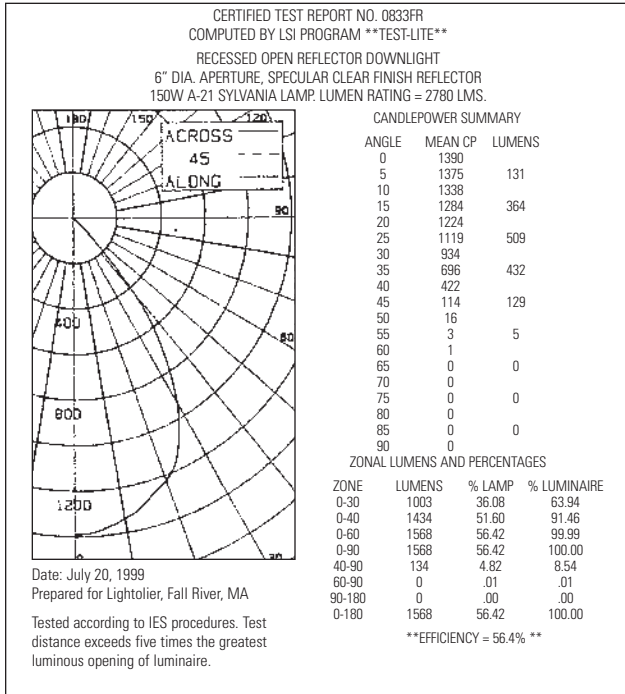
Labels

UL Listed (suitable for damp locations), I.B.E.W.

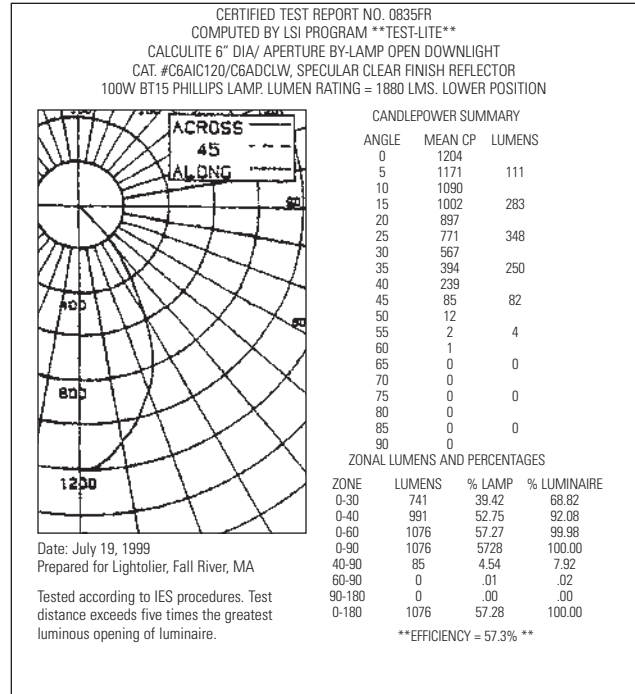
| Job Information | Type: |
|------------------|-------|
| Job Name: | |
| Cat. No.: | |
| Lamp(s): | |
| Notes: | |



SPACING RATIO = 1.1



SPACING RATIO = 0.9



COEFFICIENTS OF UTILIZATION
% EFFECTIVE CEILING CAVITY REFLECTANCE

| ROOM CAVITY RATIO | % EFFECTIVE CEILING CAVITY REFLECTANCE | | | | | | | | | | | | | | | | | | | | | | | | | | | | | | | | | | | | | | | | | | | | | | | |
|-------------------|--|-----|-----|--------------------|-----|-----|--------------------|-----|-----|--------------------|-----|-----|--------------------|-----|-----|--------------------|-----|-----|--------------------|-----|-----|--------------------|-----|-----|--------------------|-----|-----|--------------------|-----|-----|-----|-----|-----|-----|-----|-----|-----|-----|-----|-----|-----|-----|-----|-----|-----|-----|-----|-----|
| | 80 | | | | | | 70 | | | | | | 50 | | | | | | 30 | | | | | | 10 | | | | | | 0 | | | | | | | | | | | | | | | | | |
| | % WALL REFLECTANCE | | | % WALL REFLECTANCE | | | % WALL REFLECTANCE | | | % WALL REFLECTANCE | | | % WALL REFLECTANCE | | | % WALL REFLECTANCE | | | % WALL REFLECTANCE | | | % WALL REFLECTANCE | | | % WALL REFLECTANCE | | | % WALL REFLECTANCE | | | | | | | | | | | | | | | | | | | | |
| 1 | .63 | .62 | .61 | .61 | .61 | .60 | .59 | .58 | .57 | .57 | .56 | .56 | .55 | .55 | .54 | .53 | .53 | .52 | .51 | .51 | .49 | .51 | .50 | .49 | .48 | .45 | .45 | .44 | .43 | .43 | .41 | .44 | .42 | .41 | .40 | .37 | .37 | .35 | .35 | .32 | .32 | .31 | .31 | .31 | .30 | | | |
| 2 | .59 | .57 | .56 | .58 | .57 | .55 | .57 | .55 | .54 | .55 | .54 | .53 | .53 | .53 | .52 | .51 | .51 | .50 | .49 | .49 | .47 | .49 | .47 | .46 | .45 | .43 | .42 | .42 | .41 | .41 | .40 | .39 | .39 | .37 | .37 | .36 | .35 | .35 | .34 | .34 | .33 | .33 | .32 | .32 | .31 | .31 | .30 | |
| 3 | .56 | .53 | .51 | .55 | .53 | .51 | .54 | .52 | .50 | .52 | .51 | .49 | .51 | .50 | .49 | .48 | .47 | .47 | .46 | .45 | .44 | .46 | .45 | .44 | .43 | .42 | .41 | .41 | .40 | .39 | .39 | .37 | .37 | .36 | .35 | .35 | .34 | .34 | .33 | .33 | .32 | .32 | .31 | .31 | .30 | | | |
| 4 | .53 | .50 | .48 | .52 | .50 | .48 | .51 | .49 | .47 | .50 | .48 | .47 | .49 | .47 | .46 | .45 | .44 | .43 | .43 | .42 | .41 | .44 | .42 | .41 | .40 | .39 | .37 | .37 | .36 | .35 | .35 | .34 | .33 | .33 | .32 | .32 | .31 | .31 | .30 | .30 | .29 | .29 | .28 | .28 | .27 | .27 | .26 | .26 |
| 5 | .50 | .47 | .45 | .49 | .46 | .44 | .48 | .46 | .44 | .47 | .45 | .44 | .46 | .45 | .44 | .43 | .42 | .41 | .41 | .40 | .39 | .42 | .40 | .39 | .38 | .37 | .36 | .35 | .35 | .34 | .33 | .33 | .32 | .32 | .31 | .31 | .30 | .30 | .29 | .29 | .28 | .28 | .27 | .27 | .26 | .26 | | |
| 6 | .47 | .44 | .42 | .46 | .44 | .42 | .46 | .43 | .41 | .45 | .43 | .41 | .44 | .42 | .41 | .40 | .39 | .38 | .38 | .37 | .36 | .39 | .37 | .36 | .35 | .34 | .33 | .33 | .32 | .32 | .31 | .31 | .30 | .30 | .29 | .29 | .28 | .28 | .27 | .27 | .26 | .26 | .25 | .25 | .24 | .24 | .23 | .23 |
| 7 | .44 | .41 | .39 | .44 | .41 | .39 | .43 | .40 | .39 | .42 | .40 | .38 | .42 | .40 | .38 | .37 | .36 | .35 | .35 | .34 | .33 | .36 | .34 | .33 | .32 | .31 | .30 | .30 | .29 | .29 | .28 | .28 | .27 | .27 | .26 | .26 | .25 | .25 | .24 | .24 | .23 | .23 | .22 | .22 | .21 | .21 | .20 | .20 |
| 8 | .41 | .38 | .36 | .41 | .38 | .36 | .40 | .38 | .36 | .40 | .38 | .36 | .39 | .37 | .36 | .35 | .34 | .33 | .33 | .32 | .31 | .34 | .32 | .31 | .30 | .29 | .28 | .28 | .27 | .27 | .26 | .26 | .25 | .25 | .24 | .24 | .23 | .23 | .22 | .22 | .21 | .21 | .20 | .20 | .19 | .19 | .18 | .18 |
| 9 | .39 | .36 | .34 | .39 | .36 | .34 | .38 | .35 | .33 | .38 | .35 | .33 | .37 | .35 | .33 | .32 | .31 | .30 | .30 | .29 | .28 | .31 | .29 | .28 | .27 | .26 | .25 | .25 | .24 | .24 | .23 | .23 | .22 | .22 | .21 | .21 | .20 | .20 | .19 | .19 | .18 | .18 | .17 | .17 | .16 | .16 | .15 | .15 |
| 10 | .36 | .33 | .31 | .36 | .33 | .31 | .36 | .33 | .31 | .35 | .33 | .31 | .35 | .33 | .31 | .30 | .29 | .28 | .28 | .27 | .26 | .29 | .27 | .26 | .25 | .24 | .23 | .23 | .22 | .22 | .21 | .21 | .20 | .20 | .19 | .19 | .18 | .18 | .17 | .17 | .16 | .16 | .15 | .15 | .14 | .14 | .13 | .13 |

20% FLOOR CAVITY REFLECTANCE

Conversion Factors
150W A21: Clear, C.U. x 1.0; Diffuse/Gold, C.U. x 0.90FL
60W - 100W A19: Clear, C.U. x 1.15; Diffuse/Gold, C.U. x 1.0FL

COEFFICIENTS OF UTILIZATION
% EFFECTIVE CEILING CAVITY REFLECTANCE

| ROOM CAVITY RATIO | % EFFECTIVE CEILING CAVITY REFLECTANCE | | | | | | | | | | | | | | | | | | | | | | | | | | | | | | | | | | | | | | | | | | | | | | | | | | | | | | | |
|-------------------|--|-----|-----|--------------------|-----|-----|--------------------|-----|-----|--------------------|-----|-----|--------------------|-----|-----|--------------------|-----|-----|--------------------|-----|-----|--------------------|-----|-----|--------------------|-----|-----|--------------------|-----|-----|-----|-----|-----|-----|-----|-----|-----|-----|-----|-----|-----|-----|-----|-----|-----|-----|-----|-----|-----|-----|-----|-----|-----|-----|-----|-----|
| | 80 | | | | | | 70 | | | | | | 50 | | | | | | 30 | | | | | | 10 | | | | | | 0 | | | | | | | | | | | | | | | | | | | | | | | | | |
| | % WALL REFLECTANCE | | | % WALL REFLECTANCE | | | % WALL REFLECTANCE | | | % WALL REFLECTANCE | | | % WALL REFLECTANCE | | | % WALL REFLECTANCE | | | % WALL REFLECTANCE | | | % WALL REFLECTANCE | | | % WALL REFLECTANCE | | | % WALL REFLECTANCE | | | | | | | | | | | | | | | | | | | | | | | | | | | | |
| 1 | .64 | .63 | .62 | .63 | .62 | .61 | .61 | .60 | .59 | .59 | .58 | .57 | .57 | .56 | .55 | .54 | .54 | .53 | .52 | .51 | .51 | .49 | .51 | .50 | .49 | .48 | .45 | .45 | .44 | .43 | .43 | .41 | .44 | .42 | .41 | .40 | .37 | .37 | .35 | .35 | .32 | .32 | .31 | .31 | .30 | .30 | .29 | .29 | .28 | .28 | .27 | .27 | .26 | .26 | | |
| 2 | .61 | .59 | .57 | .60 | .58 | .56 | .58 | .56 | .55 | .56 | .55 | .54 | .55 | .54 | .53 | .52 | .51 | .51 | .50 | .49 | .49 | .47 | .49 | .47 | .46 | .45 | .43 | .42 | .42 | .41 | .40 | .39 | .39 | .37 | .37 | .36 | .35 | .35 | .34 | .34 | .33 | .33 | .32 | .32 | .31 | .31 | .30 | .30 | .29 | .29 | .28 | .28 | .27 | .27 | .26 | .26 |
| 3 | .57 | .55 | .53 | .56 | .54 | .53 | .55 | .53 | .52 | .54 | .52 | .51 | .53 | .52 | .51 | .50 | .49 | .49 | .48 | .47 | .46 | .49 | .47 | .46 | .45 | .44 | .43 | .42 | .42 | .41 | .40 | .39 | .39 | .37 | .37 | .36 | .35 | .35 | .34 | .34 | .33 | .33 | .32 | .32 | .31 | .31 | .30 | .30 | .29 | .29 | .28 | .28 | .27 | .27 | .26 | .26 |
| 4 | .54 | .52 | .50 | .54 | .51 | .49 | .53 | .50 | .49 | .51 | .50 | .48 | .50 | .49 | .48 | .47 | .46 | .45 | .45 | .44 | .43 | .46 | .44 | .43 | .42 | .41 | .40 | .39 | .39 | .38 | .37 | .37 | .36 | .35 | .35 | .34 | .34 | .33 | .33 | .32 | .32 | .31 | .31 | .30 | .30 | .29 | .29 | .28 | .28 | .27 | .27 | .26 | .26 | | | |
| 5 | .51 | .48 | .46 | .51 | .48 | .46 | .50 | .48 | .46 | .49 | .47 | .45 | .48 | .46 | .45 | .44 | .43 | .42 | .42 | .41 | .40 | .43 | .41 | .40 | .39 | .38 | .37 | .36 | .36 | .35 | .35 | .34 | .33 | .33 | .32 | .32 | .31 | .31 | .30 | .30 | .29 | .29 | .28 | .28 | .27 | .27 | .26 | .26 | .25 | .25 | .24 | .24 | .23 | .23 | | |
| 6 | .49 | .46 | .44 | .48 | .46 | .44 | .48 | .46 | .44 | .48 | .45 | .43 | .47 | .45 | .43 | .42 | .41 | .40 | .40 | .39 | .38 | .41 | .39 | .38 | .37 | .36 | .35 | .34 | .34 | .33 | .33 | .32 | .32 | .31 | .31 | .30 | .30 | .29 | .29 | .28 | .28 | .27 | .27 | .26 | .26 | .25 | .25 | .24 | .24 | .23 | .23 | .22 | .22 | | | |
| 7 | .46 | .43 | .41 | .46 | .43 | .41 | .45 | .42 | .41 | .44 | .42 | .40 | .44 | .42 | .40 | .39 | .38 | .37 | .37 | .36 | .35 | .38 | .36 | .35 | .34 | .33 | .32 | .32 | .31 | .31 | .30 | .30 | .29 | .29 | .28 | .28 | .27 | .27 | .26 | .26 | .25 | .25 | .24 | .24 | .23 | .23 | .22 | .22 | .21 | .21 | .20 | .20 | | | | |
| 8 | .44 | .41 | .39 | .43 | .40 | .38 | .43 | .40 | .38 | .42 | .40 | .38 | .42 | .40 | .38 | .37 | .36 | .35 | .35 | .34 | .33 | .36 | .34 | .33 | .32 | .31 | .30 | .30 | .29 | .29 | .28 | .28 | .27 | .27 | .26 | .26 | .25 | .25 | .24 | .24 | .23 | .23 | .22 | .22 | .21 | .21 | .20 | .20 | .19 | .19 | .18 | .18 | | | | |
| 9 | .41 | .38 | .36 | .41 | .38 | .36 | .40 | .38 | .36 | .40 | .37 | .36 | .40 | .37 | .36 | .35 | .34 | .33 | .33 | .32 | .31 | .34 | .32 | .31 | .30 | .29 | .28 | .28 | .27 | .27 | .26 | .26 | .25 | .25 | .24 | .24 | .23 | .23 | .22 | .22 | .21 | .21 | .20 | .20 | .19 | .19 | .18 | .18 | .17 | .17 | .16 | .16 | | | | |
| 10 | .39 | .36 | .34 | .39 | .36 | .34 | .38 | .35 | .34 | .38 | .35 | .34 | .38 | .35 | .34 | .33 | .32 | .31 | .31 | .30 | .29 | .32 | .30 | .29 | .28 | .27 | .26 | .26 | .25 | .25 | .24 | .24 | .23 | .23 | .22 | .22 | .21 | .21 | .20 | .20 | .19 | .19 | .18 | .18 | .17 | .17 | .16 | .16 | .15 | .15 | .14 | .14 | .13 | .13 | | |

20% FLOOR CAVITY REFLECTANCE

Conversion Factors
60W to 100W BT15: Clear C.U. x 1.00; Diffuse/Gold, C.U. x 0.90
60W to 100W MB19: Clear C.U. x 0.95; Diffuse/Gold, C.U. x 0.85

Job Information **Type:**

Lightolier a Genlyte company www.lightolier.com
631 Airport Road, Fall River, MA 02720 • (508) 679-8131 • Fax (508) 674-4710
We reserve the right to change details of design, materials and finish.
© 2011 Genlyte Group LLC • D0711

LIGHTOLIER®