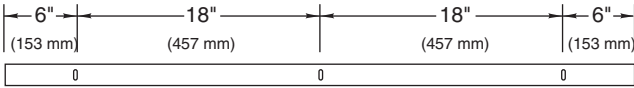


INSTALLATION INSTRUCTIONS LOW VOLTAGE TRACK

Document	CI148X02R0	Date	05/20/10
Drawing/Page	JAD	DCR#	10-162

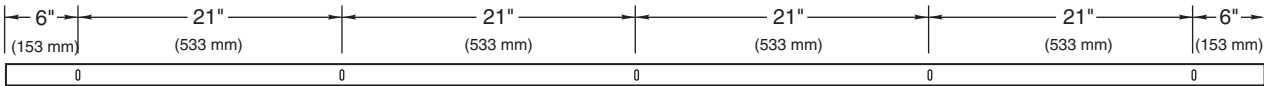
4' (1220 mm) Aluminum Track

Supplied with one (1) end cap and three (3) #6 x 1" (25 mm) mounting screws.



8' (2440 mm) Aluminum Track

Supplied with one (1) end cap and five (5) #6 x 1" (25 mm) mounting screws.



4' (1220 mm) PVC Track

Drill approximately 0.140" (4 mm) diameter mounting holes and use screws every 6" (153 mm) (or as required) to prevent track from sagging when heavy fixtures are installed. One (1) end cap and seven (7) #6 x 1" (25 mm) mounting screws are provided.

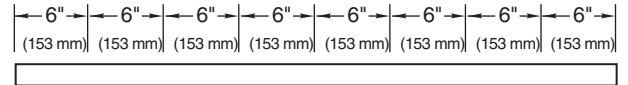


Figure 1

CAUTIONS

1. To avoid the possibility of electrical shock, turn off power supply before installation or servicing.
2. For use with low voltage lighting fixtures.

NOTES

1. T-bar clips are required when aluminum track is mounted to T-bar ceilings with flush tiles. Two sizes of T-bar clips are available: E-GATC09 (for use with 9/16" wide T-bars) and E-GATC15 (for use with 15/16" wide T-bars). T-bar clips must be ordered separately.
2. T-bar clips are not recommended for use with PVC track.
3. E-GATC16 spacers are required when track is mounted to T-bar ceilings with drop tiles. Spacers must be ordered separately.

FLAT SURFACE MOUNTING

1. Attach track to mounting surface using #6 x 1" screws provided.
2. See **Figure 1** for mounting of specific track and length.

T-BAR MOUNT WITH FLUSH CEILING TILES

1. **Aluminum Track**
 - 1.1 Reference **Figure 2** for steps 1.2–1.5 below.
 - 1.2 Attach T-bar clips to track by sliding lower flange of clips into every slot of track.
 - 1.3 Fold flanges over to secure to track.
 - 1.4 Place track against T-bar.
 - 1.5 Fold two top flanges of clip around T-bar to secure.
2. **PVC Track**
 - 2.1 Drill approximately 0.140" (4 mm) diameter mounting holes in track every 6" (153 mm) (or as required) to prevent track from sagging when heavy fixtures are installed. See **Figure 1**.
 - 2.2 Drill approximately 0.140" (4 mm) diameter mounting holes into center of T-bar using drilled track as template.
 - 2.3 Use #6 x 1" (25 mm) mounting screws in every hole of track to secure track to T-bar. Do not use T-bar clips.

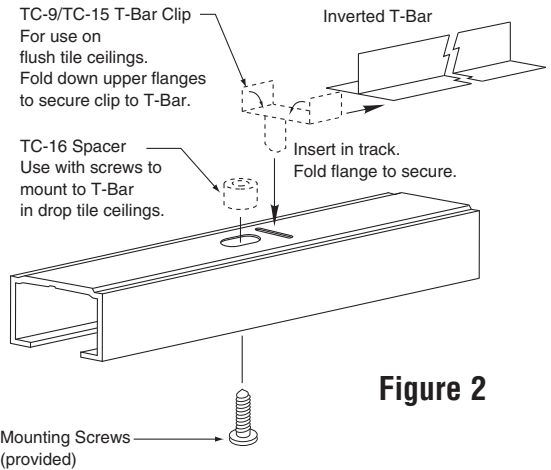


Figure 2

T-BAR MOUNT WITH DROP CEILING TILES

1. **Aluminum Track**
 - 1.1 Drill approximately 0.140" (4 mm) diameter mounting holes into center of T-bar using track as template.
 - 1.2 Use #6 x 1" (25 mm) mounting screws with E-GATC16 spacers in every hole of track to secure track to T-bar. Do not use T-bar clips. See **Figure 2**.
2. **PVC Track**
 - 2.1 Drill approximately 0.140" (4 mm) diameter mounting holes in track every 6" (153 mm) (or as required) to prevent track from sagging when heavy fixtures are installed. See **Figure 1**.
 - 2.2 Drill approximately 0.140" (4 mm) diameter mounting holes into center of T-bar using drilled track as template.
 - 2.3 Use #6 x 1" (25 mm) mounting screws with E-GATC16 spacers in every hole of track to secure track to T-bar. Do not use T-bar clips. See **Figure 2**.

CABLE INSTALLATION

1. Slide cable into mounted track. See **Figure 3**.
2. Push and secure end cap into open end of track.

Figure 3

