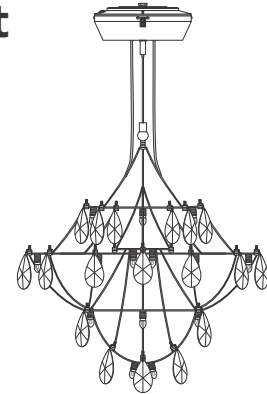




## Installation Instructions for Crystal Galaxy Suspension and Crystal Galaxy Suspension with Downlight



### SAVE THESE INSTRUCTIONS!

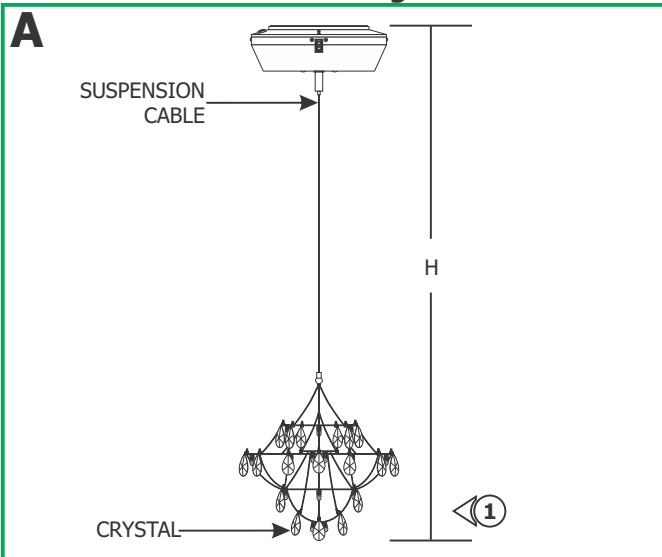
#### GENERAL INFORMATION

- This product is ETL listed for indoor dry locations and approved to be used at any height above the finished floor.
- This product is suitable only for indoor dry locations and approved for the use at any height above the finished floor.
- This product contains a magnetic transformer with a built-in dimming coil.
- This product may be dimmed only with a low voltage magnetic dimmer. Using a dimmer other than specified may work initially, but will eventually cause transformer failure and void the warranty. The dimmer must be derated as indicated by the dimmer manufacturer.
- Load the circuit of the surface mount transformer to **rated capacity only**.

#### IMPORTANT SAFETY INSTRUCTIONS

- Do not install fixture assemblies closer than six inches, or as specified in the fixture installation instructions, to curtains or similarly combustible materials.
- Ensure that power to the junction box is OFF before beginning any electrical work.
- **RISK OF FIRE:** This product must be installed by a qualified electrician. Turn the power to the electrical box off during installation.
- **RISK OF FIRE:** Use only the type of lamp and maximum wattage indicated in this instruction manual.

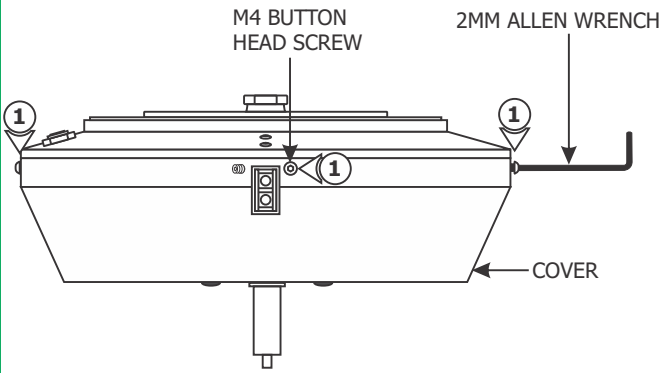
### Determine and Adjust Fixture Height



- 1: Push the suspension cable into the center mounting standoff to determine the desired height from the mounting surface of the power supply to the bottom of the fixture. Refer to Figure H for more details.

# Install the Surface Mount Transformer

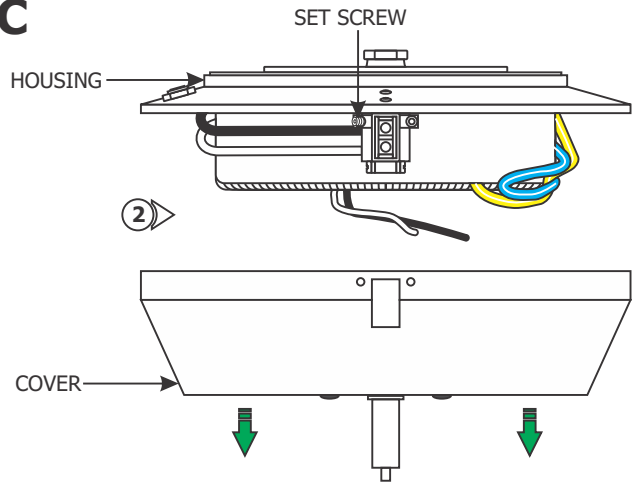
**B**



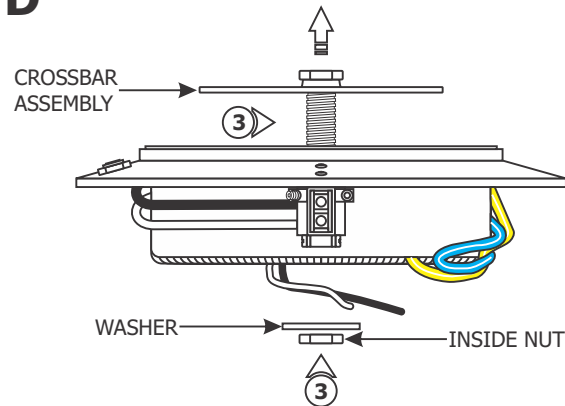
**1:** Loosen and remove the five M4 button head screws around the transformer cover with the provided 2mm Allen wrench.

**2:** Unhook the transformer cover from the set screw and remove it from the transformer housing.

**C**



**D**



**3:** Remove the inside nut and washer to remove the crossbar assembly. **DO NOT DISASSEMBLE THE CROSSBAR ASSEMBLY.**

**4:** Connect the provided white and black extension wires to the neutral and hot power wires respectively with the wire nuts provided.

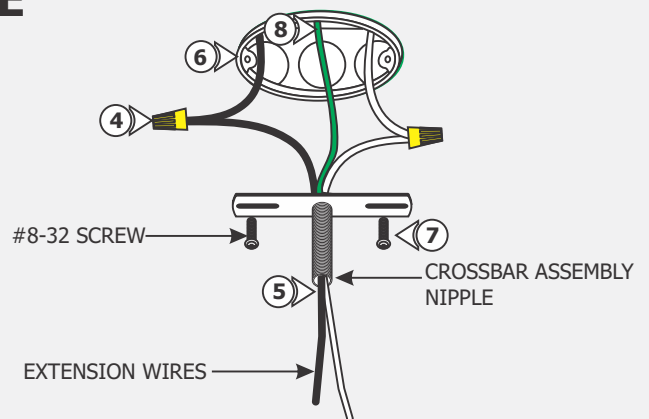
**5:** Feed the wires through the crossbar assembly nipple.

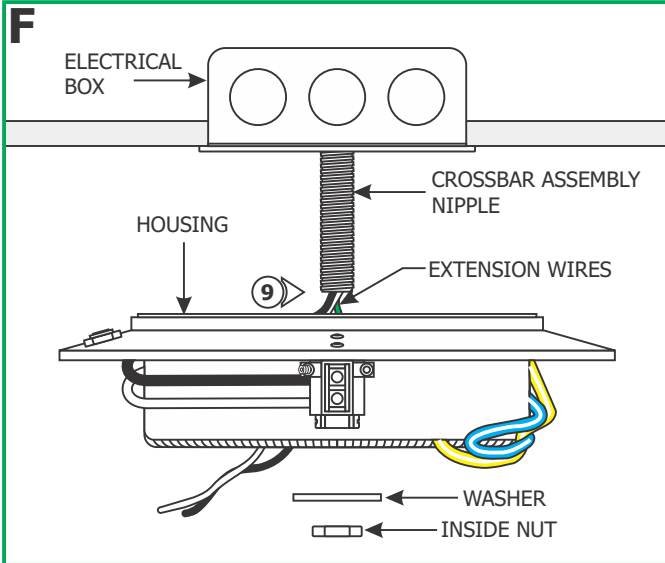
**6:** Place all wires and wire nut connections inside the electrical box.

**7:** Mount the crossbar assembly to the electrical box with the two provided #8-32 screws.

**8:** Make sure the crossbar assembly, canopy, and power supply are grounded in accordance with local electrical codes.

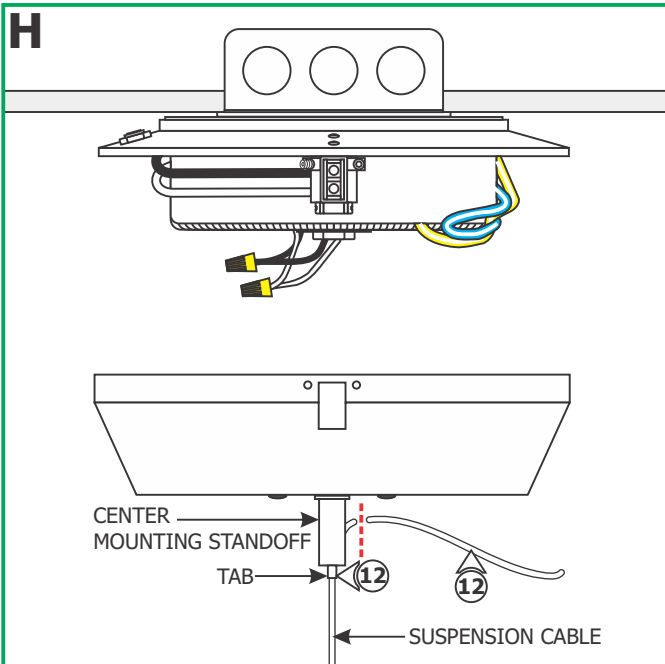
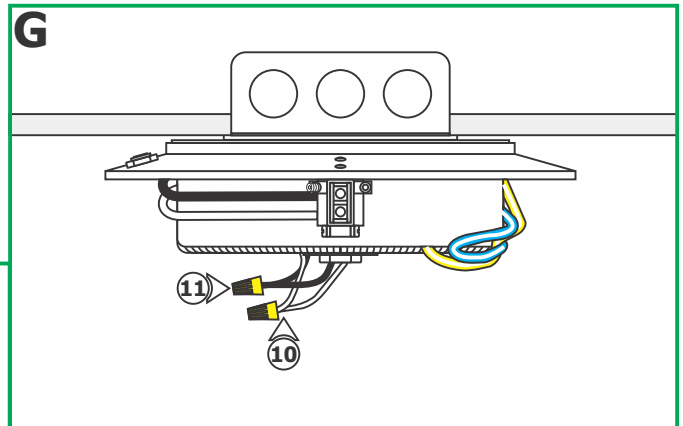
**E**





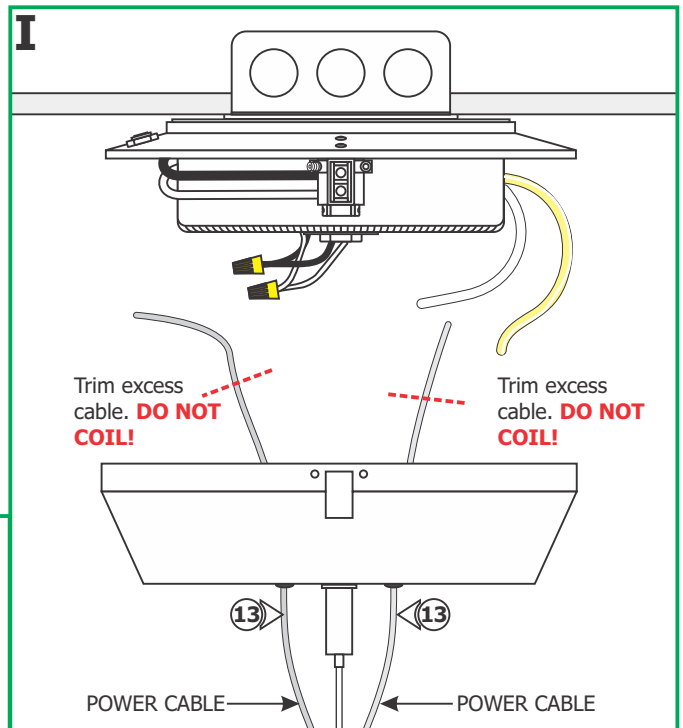
**9:** Feed the extension wires through the transformer housing center hole. Slide the transformer housing onto the crossbar assembly nipple and secure it in place by tightening the washer and inside nut.

- 10:** Connect the white transformer wire to the neutral power wire with a wire nut.
- 11:** Connect the black transformer wire to the hot power wire with a wire nut.

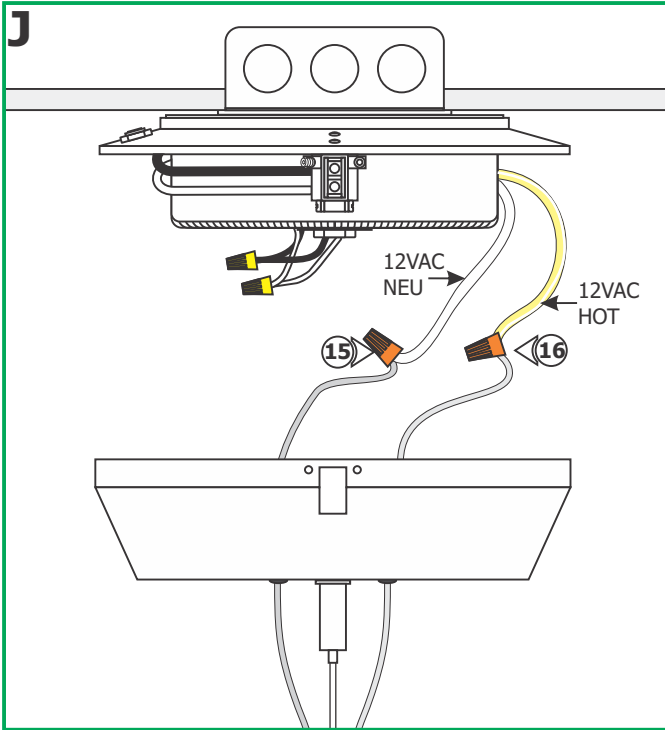


**NOTE:** It is recommended that more than one person assist in installing this fixture to avoid damage or injury.

**12:** Press the tab on the end of the center mounting standoff in to feed the fixture suspension cable through. Adjust the fixture height to desired position. Trim excess suspension cable close to center mounting standoff.



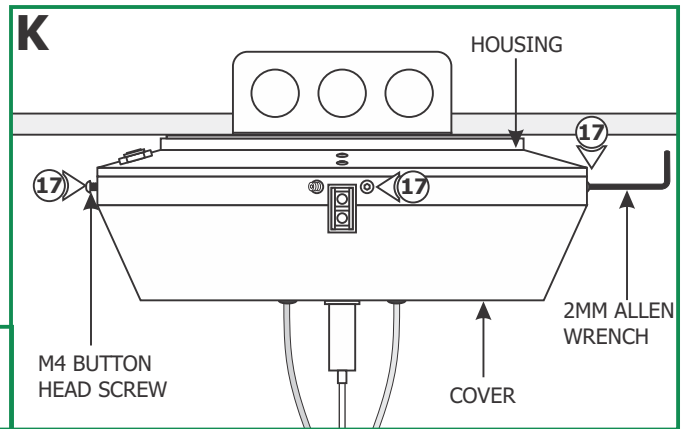
- 13:** Feed one fixture power cable through each grommet opening in the power supply canopy.
- 14: WARNING! RISK OF FIRE:** Trim power cables after adjusting fixture height. Leave only enough power cable inside the canopy to complete electrical connections. **DO NOT** coil excess power cable inside canopy!



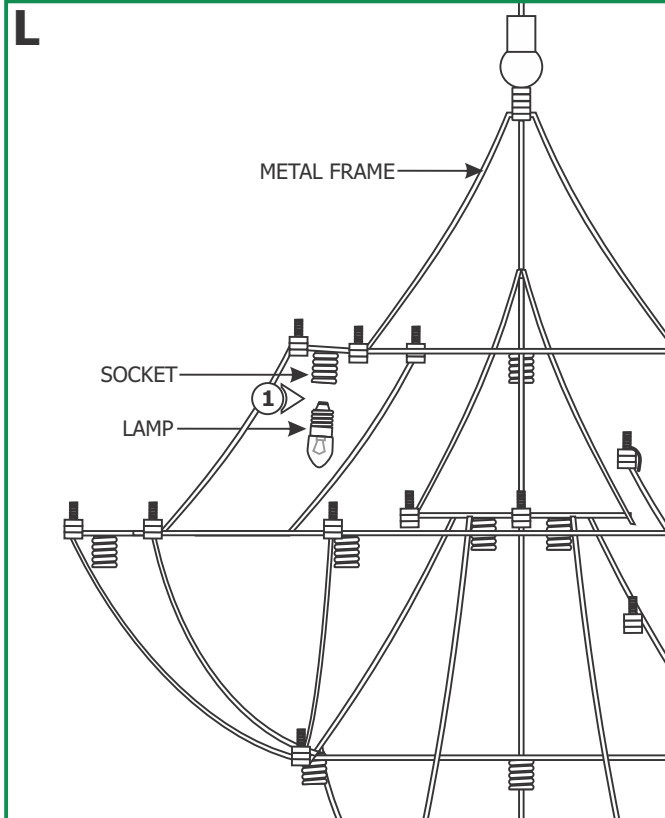
**15:** Connect one fixture power wire to the white 12VAC neutral wire from the power supply.

**16:** Connect the remaining fixture power wire to the yellow and white 12VAC hot wire from the power supply.

**17:** Place the transformer cover onto the transformer housing. Replace and tighten the five M4 button head screws with the 2mm Allen wrench.



## Install the Lamps and Crystals



**CAUTION:** To reduce risk of a burn or electrical shock during lamping, disconnect the power to the fixture.

**NOTE:** Use a soft cloth and fingers to install the lamp.

Use **MAX 2W** Type E10 Miniature or **MAX 0.5W** LED lamp for each socket. Reference product specification sheet.



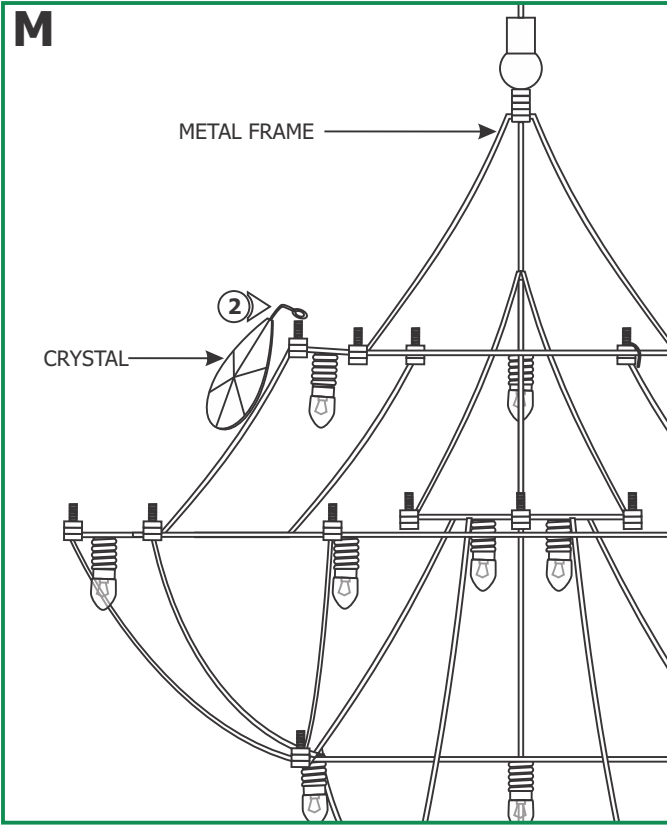
Use **MAX 20W** or **MAX 3W** LED Type AR11 bayonet base halogen or lamp for Downlight version.



**1:** Screw each lamp completely into the sockets.

**2:** For Downlight version, install the AR11 bayonet base lamp by pushing the lamp into the downlight socket and turning to secure.

**M**



**2:** Secure each crystal loop to a threaded post on the metal frame. Repeat until all crystals have been mounted to the metal frame.