

DOT LED 1W, 12V AC/DC



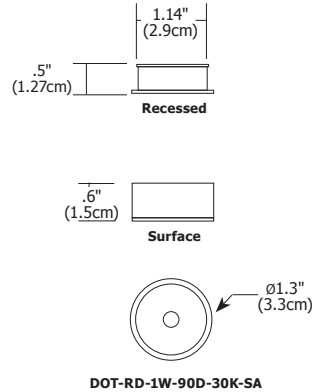
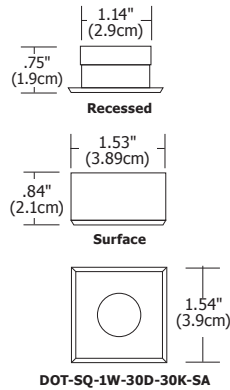
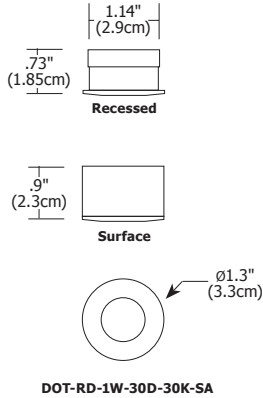
DOT-RD-1W-30D-30K-SA



DOT-SQ-1W-30D-30K-SA



DOT-RD-1W-90D-30K-SA



Description:

Recessed or surface-mount (using surface-mount collar provided), the Dot **LED** features solid aluminum construction and uses only 1 watt of warm white **LED** light. Ideal for cabinet illumination, the tiny but powerful round or square fixture provides a 30 degree beam spread. Round version is also available with a 90 degree beam spread. Includes 36" cord/plug port, wire clips and screws. Fixture plugs into 4- or 8-port hub, which distributes the low voltage power from **LED** power source. Fixtures use 12VAC power supplies and include 5 year warranty.

Finish:

Satin Aluminum

Lamp Specification:

1 Watt, 64 total lumens (90 Degree), 61 total lumens (30 Degree), 12VAC or DC **LED**, 3000K, 80+CRI, 70% lumen maintenance based on 50,000 hours of operation

Dimming Information:

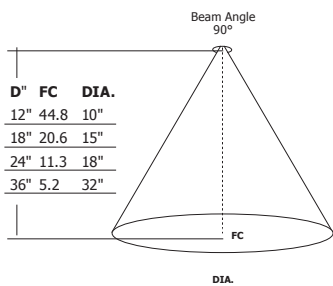
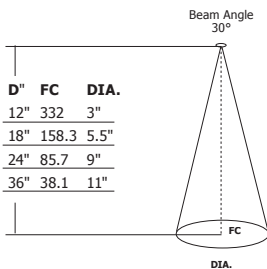
Dimmable with Lutron Diva or Skylark standard electronic low voltage dimmers. AC power supplies dim down to 20% before flickering and slight buzzing

Power Supply:

Hardwired: **TE-60L-12**
 Plug-In: **TE-60L-12AC-P**

Weight:

.5 lb (0.23 kg)



D - Distance from DOT **LED** fixture
 FC - Initial footcandle at the center of beam
 DIA - Diameter

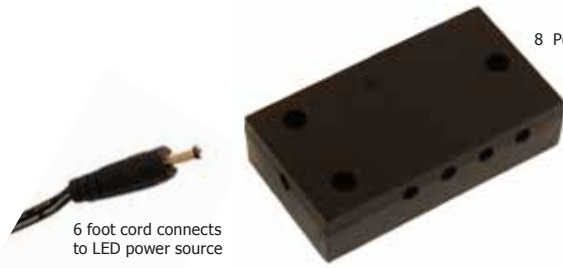
| | | | | | |
|-----|-----------|-----------|----------------------------|-----------------|-------------------|
| DOT | Type | Watts | Beam Spread | Color Temp (K) | Finish |
| RD | RD Round | 1W 1 Watt | 30D 30 degree | 30K 3000 Kelvin | SA Satin Aluminum |
| SQ | SQ Square | | 90D 90 degree (round only) | | |

PROJECT: _____ FIXTURE TYPE: _____ DATE: _____

POWER HUB FOR PUCKS & DOTS

REV.04.20.12

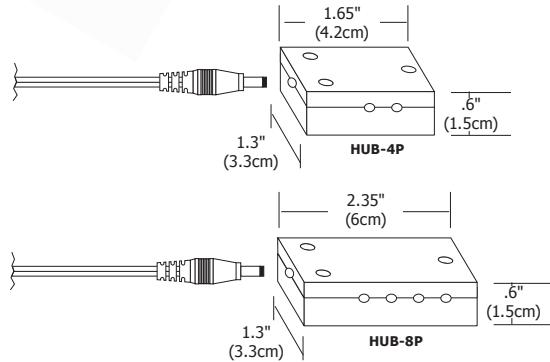
8 Port Hub shown



6 foot cord connects to LED power source

Description:

The 4 or 8 Port Hub distributes the 12V AC/DC low voltage power from LED transformer to a combination of 1 to 4 or 1 to 8 LED Puck or Dot lights. Includes 6 foot Power Feed Connector Cord and 3 clips.



| Product | Type |
|---------------|------------------------|
| HUB | 4P |
| HUB Power Hub | 4P 4 Port 8P 8 Port |



12 Ft. Hub Extension Cord and Hub Connector

The 12 ft extension cord extends the Hub power cord or the Puck and Dot fixture cord. Includes 6 pieces of WC-1 wire clips. Use HUB-HUB-12 to link multiple Hubs together.

| Product | Type | Length |
|---------------|----------------------------------|------------|
| HUB | EC | 12 |
| HUB Power Hub | EC HUB Extension Cord Hub to Hub | 12 12 Feet |



Wire Clips

Wire Clips keep wires organized. Secure with screws or double-sided tape (included). 3 wire clips provided for each fixture. Also sold separately.

| Product | Type |
|--------------|------------|
| WC | 1 |
| WC Wire Clip | 1 Standard |

PROJECT:

FIXTURE TYPE:

DATE:



Electronic 60 Watt AC Transformer with Rectangle Canopy Cover

TE-60L-12 Electronic 60 Watt 12 Volt AC hard wire fits inside single gang electrical box covered with a white 3" rectangular canopy, powering the Dots and Pucks.

| Product | Wattage | Voltage | Type | Finish |
|---------------------------|-----------------|-----------------|-----------------------------------|-----------|
| TE | 60L | 12AC | 3RE | WH |
| TE Transformer Electronic | 60L 60 Watt LED | 12AC 12 Volt AC | 3RE 3 Inch Rectangle Canopy Cover | WH White |



Electronic 60 Watt LED AC Transformer Plug-In

Plug-In version of the TE-60-12 Electronic 60 Watt 12 Volt AC Transformer includes 10 ft of cord and DC Connector to plug into the HUB-4P or HUB-8P powering the Dots and Pucks.

| Product | Wattage | Voltage | Type |
|---------------------------|-----------------|-----------------|-----------|
| TE | 60L | 12AC | P |
| TE Transformer Electronic | 60L 60 Watt LED | 12AC 12 Volt AC | P Plug In |



Electronic 60 Watt LED AC Transformer

TE-60L-12 Electronic 60 Watt 12 Volt AC Transformer converts standard 120 volt line voltage to 12 volts and features built-in short-circuit protection. Fits inside an electrical junction box. Minimum dimming load is 6 watts.

| Product | Wattage | Voltage |
|---------------------------|-----------------------------|---------------|
| TE | 60L | 12 |
| TE Transformer Electronic | 60L 60 Watt LED and Halogen | 12 12 Volt AC |



3" Rectangle and 4" Round Canopy Cover

The white rectangle or round canopy cover conceals the TE-60L-12 LED transformer (sold separately) inside a single gang box to power Dots and Pucks.

| Product | Finish |
|-----------------------------------|-----------|
| 3RE | WH |
| 3RE 3 Inch Rectangle Canopy Cover | WH White |
| 4RD | |
| 4RD 4 Inch Round Canopy Cover | |

PROJECT:

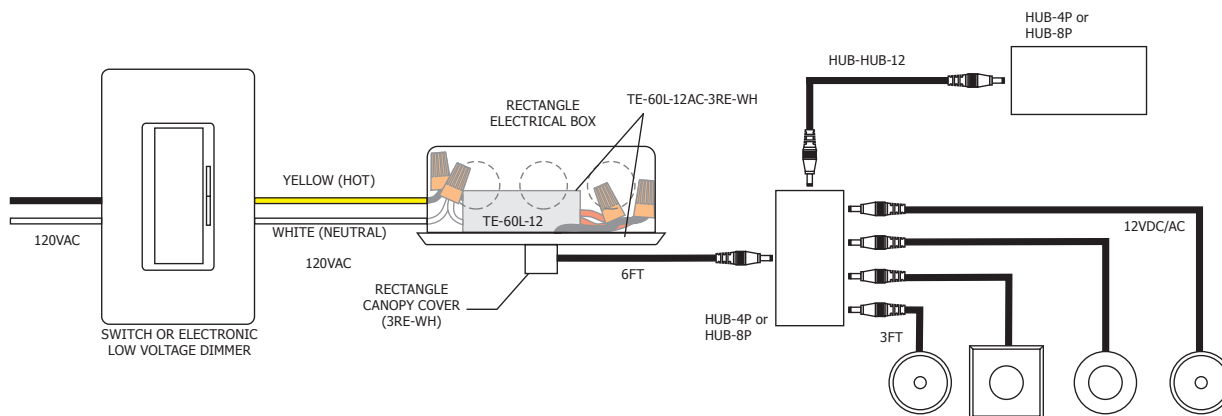
FIXTURE TYPE:

DATE:

Application: Wiring Diagram for 4 Dot LED fixtures

Power Supply: 60 watt, 120 volt input, 12 volt AC output TE-60L-12

Dimming: Dimmable with low voltage electronic dimmer using power supply above.
See power supply spec sheet for additional details.
Lutron: Diva #DVELV-300P; Skylark #SELV-300P dimmers are recommended



PROJECT:

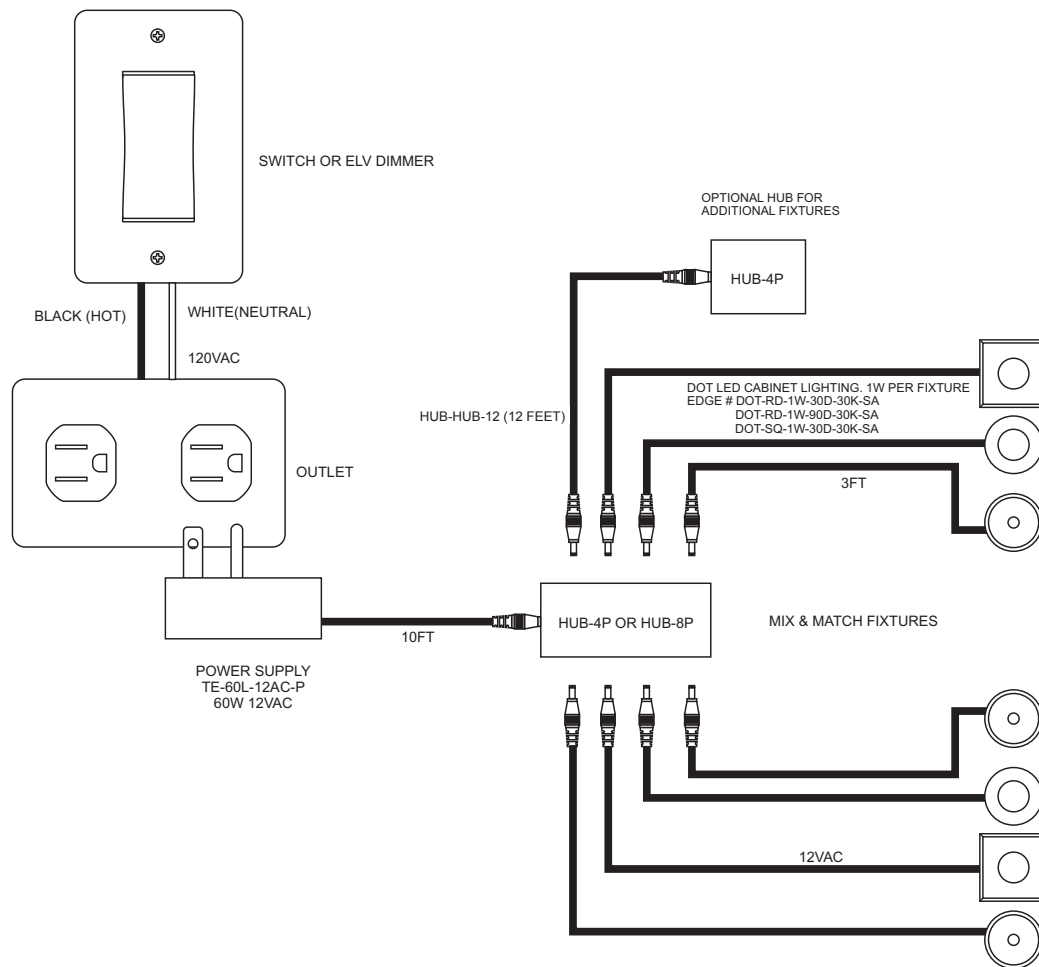
FIXTURE TYPE:

DATE:

Application: Wiring diagram for 7 Dot LED fixtures

Power Supply: 60 watt, 120 volt input, 12 volt AC output TE-60L-12AC-P

Dimming: Dimmable with low voltage electronic dimmer using power supply above.
See power supply spec sheet for additional details.
Lutron: Diva #DVELV-300P; Skylark #SELV-300P dimmers are recommended



PROJECT:

FIXTURE
TYPE:

DATE: