

**Description:**

Surface Mount Light Channel with 45 degree extrusion features 24 volt Soft Strip inside a slim, paintable aluminum extrusion. LC45 uses SS2P with warm-white, 80+CRI LEDs for excellent color-rendering. LCS45C uses SS2C with 85+ or 95+CRI LEDs. The 61 degree white diffuser lens projects a clean line of light and eliminates LED dots, while the clear lens provides maximum light levels. Sold in 12 inch increments up to 120 inches. May be ordered in 3, 5, 8 or 10 inch increments. Fixtures include mounting clips every 2 feet. The 8 foot cables on each end can be hard wired together linking segments for a maximum of 40 feet. System is powered by a dimmable remote power supply. Fixtures include a 5 year warranty.

**Finishes:**

Satin Aluminum, Antique Bronze and White. Custom finishes available

**Applications:**

Indoor Only - Task lighting, under/above cabinet, cove, retail, closets. Light Channel is identified for use in the storage area of a closet per NEC Article 410.16(A)(3) and 410.16(C)(5). Fixture is ETL listed for dry location for closet use with clothing and complies with UL Standard 2108.

**Lamp:**

Version	Watts per Foot	Lumens per Watt	per Foot	80+CRI 30K	85+CRI 24K, 35K, 40K, 57K	95+CRI 27K, 30K	Lamp Life Hours
<b>LC45</b>	2.3	37	115	●			32,000
<b>LC45C</b>	2.5	43	126		●	●	50,000

Lumen values are based on the 3000K LED test.

<b>DWW: Warm White with 61° White Diffuser Lens</b>		
Distance	Beam	Foot Candles
12in	15"	58 FC
18in	21"	34 FC
24in	29"	24 FC
36in	42"	13 FC

<b>CWW: Warm White with 26° Clear Diffuser Lens</b>		
Distance	Beam	Foot Candles
12in	7"	115 FC
18in	10"	72 FC
24in	13"	50 FC
36in	16"	28 FC


**Power Supply (24VDC):**

- TEB-60L-24DC** 120VAC input, 60 watt output
- PSB-96W-010-24VDC** 120-277VAC input, 96 watt output
- PSB-100W-ELV-24VDC** 120VAC input, 96 watt output
- PSB-2X96W-010-24VDC** 120-277VAC input, 2x96 watt output
- PSB-2X100W-ELV-24VDC** 120VAC input, 2x96 watt output

**Dimming:**

010 power supplies use 0-10V dimmer: Philips Sunrise SR1200ZTUNV. ELV power supplies use ELV dimmer: Legrand, Adorne ADTP703TU; Lutron: Diva DVELV-300P, Skylark SELV-300P, Maestro MAELV-600 and Radio Ra

**Joining Connectors:**

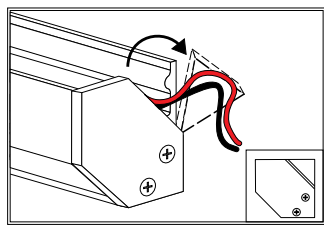
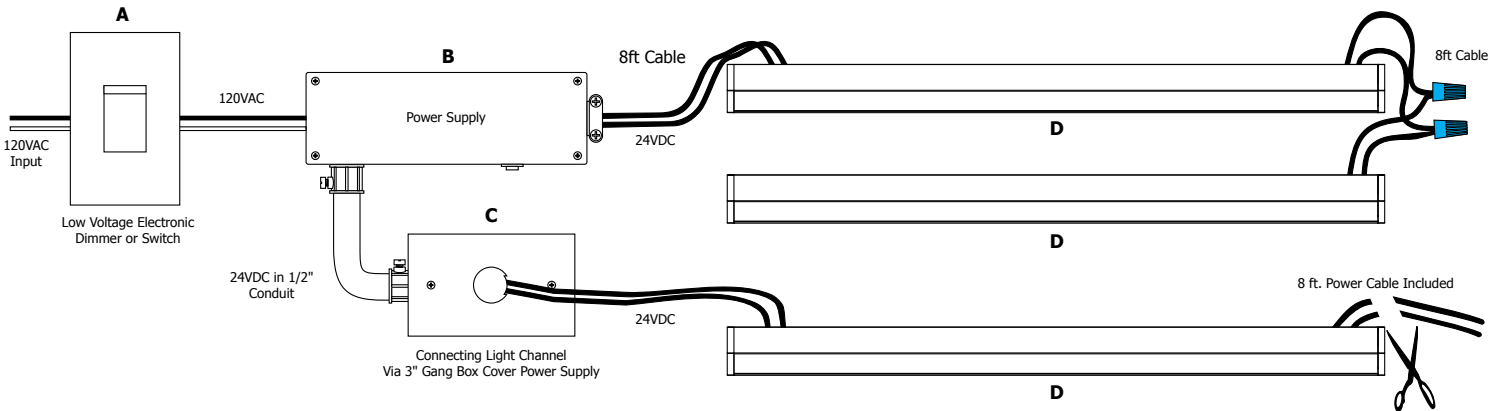
Joining Connectors, CON-2W, are included with 45° Light Channel 

Product	Voltage	Length in Inches	Color Temperature	Finish
<b>LC45</b> Light Channel Surface Mount 45°	<b>24V</b> 24 Volt DC	<b>60IN</b> Order in 12 inch increments up to 120 inches May be ordered in 3, 5, 8 or 10 inch increments	<b>D WW</b> D Diffuser Len C Clear Lens <b>AW</b> 2400K Amber White (LC45C only) <b>VW</b> 2700K Very Warm White (LC45C only) <b>WW</b> 3000K Warm White <b>NW</b> 3500K Neutral White (LC45C only) <b>CW</b> 4000K Cool White (LC45C only) <b>DW</b> 5700K Daylight White (LC45C only)	<b>SA</b> Satin Aluminum <b>BZ</b> Antique Bronze <b>WH</b> White Custom Finishes Available
<b>LC45C</b> Light Channel Surface Mount Commercial 45°				

**Application:** Electronic low-voltage dimming for 45° Light Channel

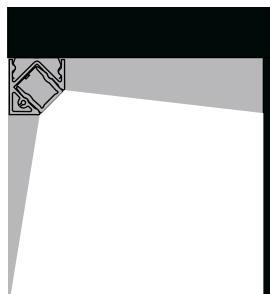
**Power Supply:** 120VAC input, 24VDC 60 watt output TEB-60L-24DC

**Dimming:** Dimmable with low voltage electronic dimmer using power supply above. See power supply spec sheet for additional details. Lutron: Diva DVELV-300P; Skylark SELV-300P; Maestro MAELV-600 dimmers are recommended

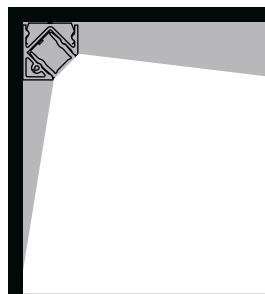


Remove to Expose Wire

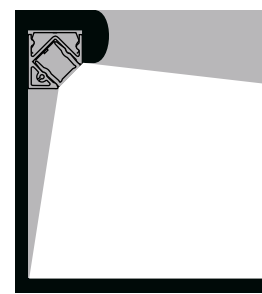
- A. Lutron Dimmers  
Diva **DVELV-300P** or Skylark **SELV-300P**
- B. 60W 24VDC Power Supply **TEB-60L-24DC**
- C. 3" Rectangle Canopy Cover **3RE-WH**
- D. Surface Mount Light Channel 45° 12"-120" **LC45-24V-\_-SA**



Below Cabinet



Inside Cabinet



Step Light

PROJECT:

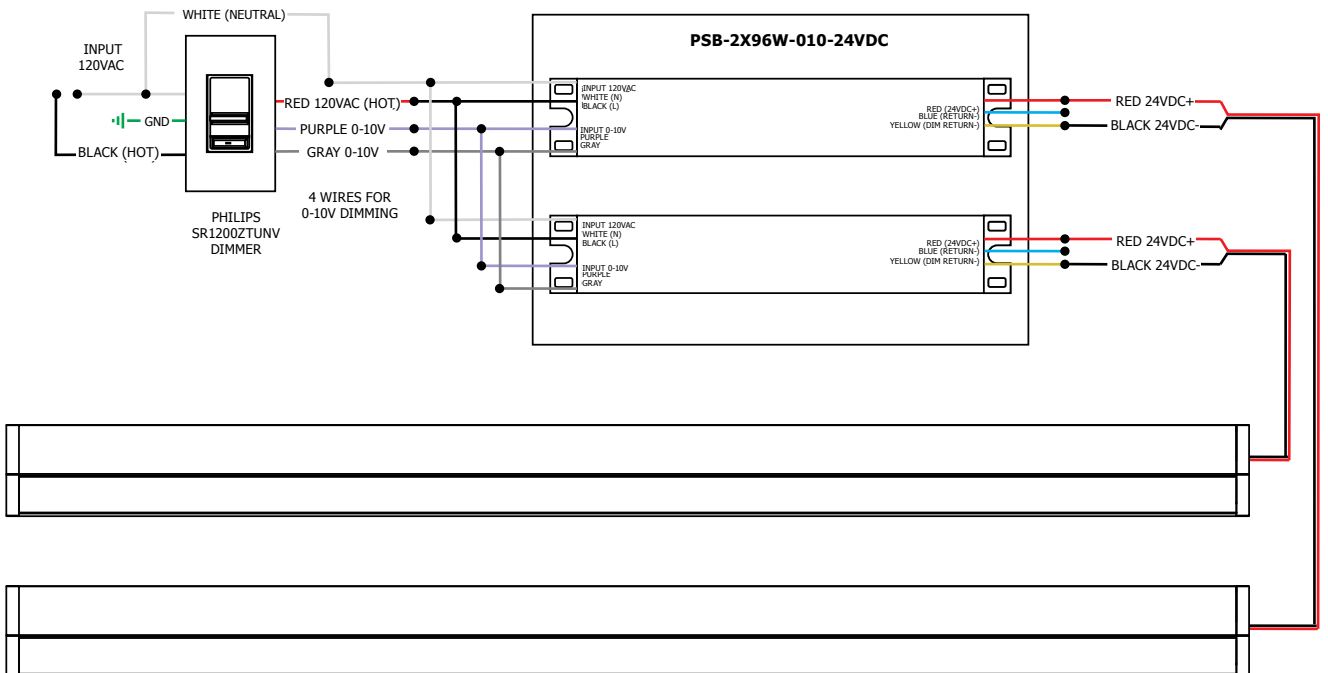
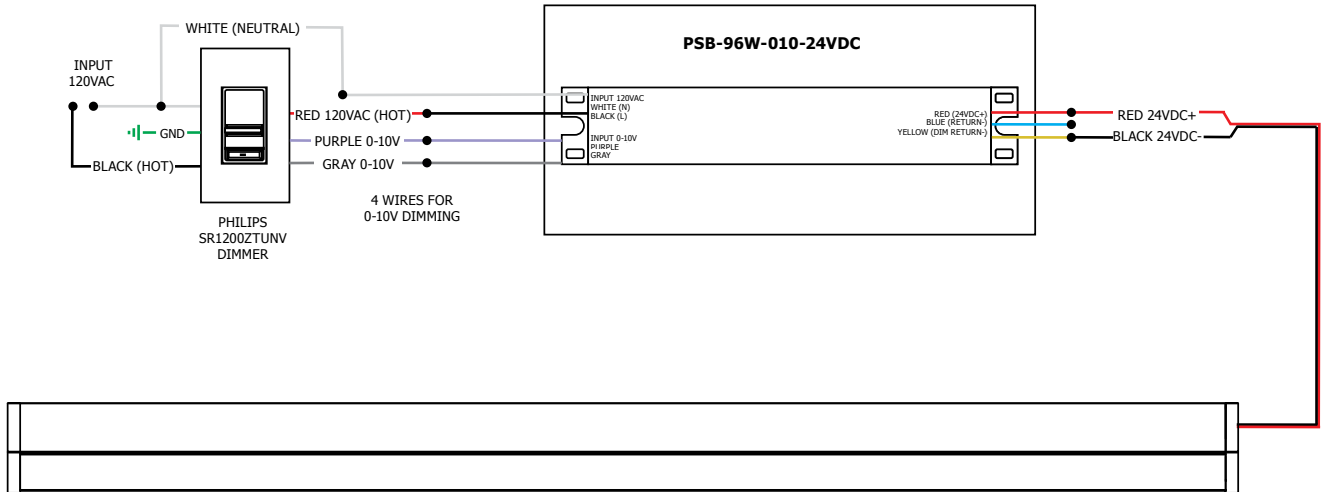
FIXTURE  
TYPE:

DATE:

**Application:** 0-10V dimming for 45° Light Channel

**Power Supply:** Class 2, 24VDC output: 120-277VAC input, 96 watt output PSB-96W-010-24VDC;  
120-277VAC input, 192 watt output PSB-2X96W-010-24VDC

**Dimming:** Dimmable with 0-10V dimmer using power supply above. See power supply spec sheet for additional details. Philips Sunrise SR1200ZTUNV, 0-10V dimmer recommended



PROJECT: \_\_\_\_\_ FIXTURE TYPE: \_\_\_\_\_ DATE: \_\_\_\_\_

Please refer to chart below for exact lengths of the 45° Light Channel

ORDERING CODE	LENGTH (INCHES)	ORDERING CODE	LENGTH (INCHES)
3IN	3.25	63IN	63.25
5IN	5.65	65IN	65.65
8IN	8.05	68IN	68.05
10IN	10.45	70IN	70.45
12IN	12.85	72IN	72.85
15IN	15.25	75IN	75.25
17IN	17.65	77IN	77.65
20IN	20.05	80IN	80.05
22IN	22.45	82IN	82.45
24IN	24.85	84IN	84.85
27IN	27.25	87IN	87.25
29IN	29.65	89IN	89.65
32IN	32.05	92IN	92.05
34IN	34.45	94IN	94.45
36IN	36.85	96IN	96.85
39IN	39.25	99IN	99.25
41IN	41.65	101IN	101.65
44IN	44.05	104IN	104.05
46IN	46.45	106IN	106.45
48IN	48.85	108IN	108.85
51IN	51.25	111IN	111.25
53IN	53.65	113IN	113.65
56IN	56.05	116IN	116.05
58IN	58.45	118IN	118.45
60IN	60.85	120IN	120.85

PROJECT:

FIXTURE  
TYPE:

DATE: