

# SS2P SOFT STRIP 2.3W 24VDC HIGH OUTPUT, PREMIUM RESIDENTIAL GRADE (80+CRI)



**Maximum Length Before Refeeding: 40 Ft\***

LENGTH IN FEET	TOTAL WATTAGE	LENGTH IN FEET	TOTAL WATTAGE
1	3	21	49
2	5	22	51
3	7	23	53
4	10	24	56
5	12	25	58
6	14	26	60
7	17	27	63
8	19	28	65
9	21	29	67
10	23	30	69
11	26	31	72
12	28	32	74
13	30	33	76
14	33	34	79
15	35	35	81
16	37	36	83
17	40	37	86
18	42	38	88
19	44	39	90
20	46	40	92

\*25 Ft maximum when used with TEB-60L-24DC or PSB-60W-ELV-24VDC



**SS2P-24V-2IN-WW**  
2.4 Inch Soft Strip

## Description:

Premium 24 volt Soft Strip (SS2P) provides high levels of light with 80+ CRI warm white LEDs, offering superior color rendering and enhanced color. The LEDs are distributed close together throughout the strip for uniform illumination without hotspots. The 1/2" wide flexible copper strip, with an optically clear protective coating, is sold in 1 ft increments up to 40 feet. Includes easy plug-in connectors on each end, and 6 ft power feed cable. For custom lengths, smaller segments are available in 2.4 inch increments (sold separately). Use plug-in flexible connectors for making turns and custom configurations. At only 2.3 LED watts per foot, this system dims with an electronic low-voltage or 0-10V dimmer. Self-adhering SS2P mounts to most smooth finished surfaces with industrial strength 3M tape (provided on back of strip); some unfinished surfaces may require screw-in mounting clips (sold separately). Designed for indoor, open-air environments, SS2P includes a flexible aluminum heat sink to extend LED life. Fixtures include a 5 year warranty.

## Applications:

Indoor Only - Task lighting, under/above cabinet, cove, retail clothing, work stations, closets, wine cellars and toe kicks. ETL listed to conform to UL 2108 for closet and under-cabinet applications.

## Lamp:

36 warm white (3,097K) LEDs per foot, 80+ CRI  
182 lumens per foot  
LED lamps consume 2.3 watts per foot at 24VDC  
53 lumens per watt (including power supply)

## Average Lamp Life:

32,000 hours

## Power Supply (24VDC):

- TEB-60L-24DC** 120VAC input, 60 watt output (25 ft max)
- PSB-60W-ELV-24VDC** 120VAC input, 60 watt output (25 ft max)
- PSB-96W-010-24VDC** 120-277VAC input, 96 watt output (40 ft max)
- PSB-100W-ELV-24VDC** 120VAC input, 96 watt output (40 ft max)
- PSB-2X96W-010-24VDC** 120-277VAC input, 2x96 watt output (40 ft max)
- PSB-2X100W-ELV-24VDC** 120VAC input, 2x96 watt output (40 ft max)

## Dimming:

010 power supplies use 0-10V dimmer: Philips Sunrise SR1200ZTUNV.  
ELV power supplies use ELV dimmer: Legrand, Adorne ADTP703TU;  
Lutron: Diva DVELV-300P, Skylark SELV-300P, Maestro MAELV-600 and Radio Ra 2

## Mounting Straps & Clips:

### SS-SU

Use U-Strap every 6 to 12 inches for extra support (30 per package).

### SS-ST

Use Tie Strap every 6 to 12 inches for extra support (30 per package).

### SS-MCL

Mounts beneath strip, snapping strip in place for additional support (10 per package).

System	Voltage	Length	Color Temperature
<b>SS2P</b>	<b>24V</b>	<b>2IN</b>	<b>WW</b>
SS2P Soft Strip Premium 2.3W per Ft	24V 24 Volt	2IN 2.4 Inch	WW Warm White (3,097K)
System	Voltage	Length in Feet	Color Temperature
<b>SS2P</b>	<b>24V</b>	<b>40</b>	<b>WW</b>
SS2P Soft Strip Premium 2.3W per Ft	24V 24 Volt	Sold in 1 ft increments up to 40ft (Example 40=40')	WW Warm White (3,097K)

PROJECT: \_\_\_\_\_ FIXTURE TYPE: \_\_\_\_\_ DATE: \_\_\_\_\_

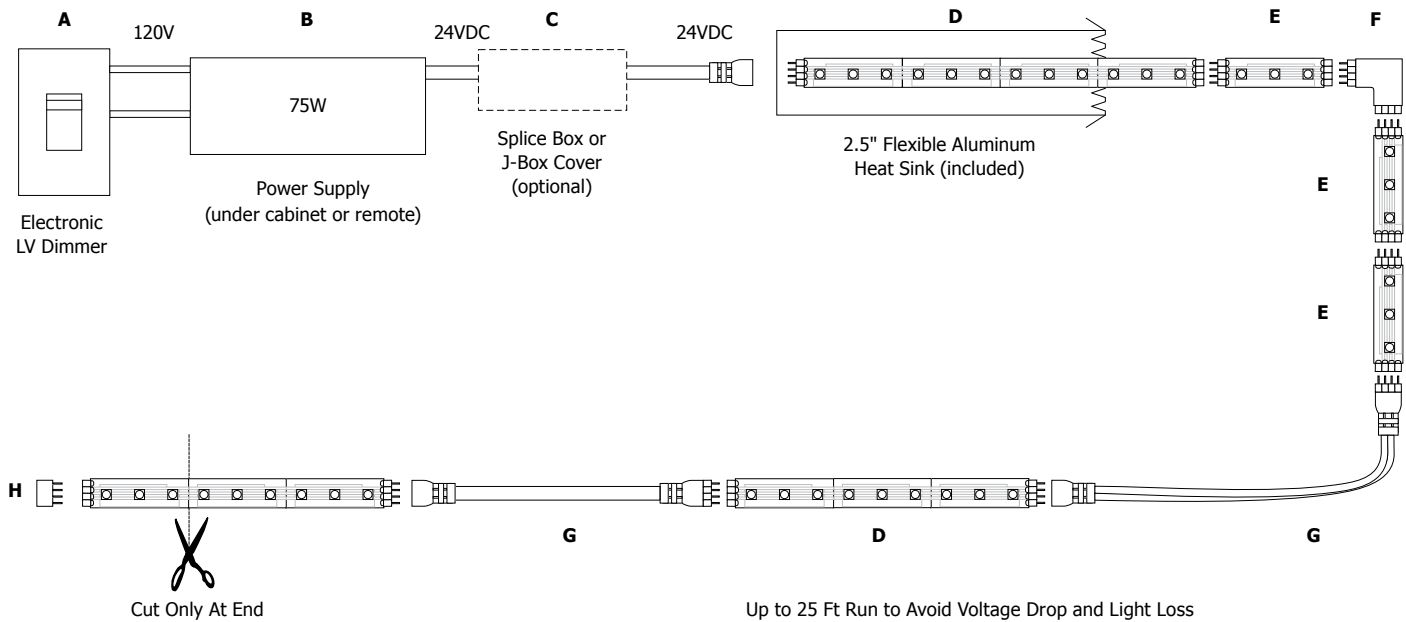




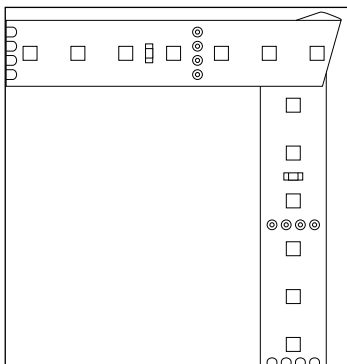
**Application:** Electronic low-voltage dimming for SS2P Soft Strip

**Power Supply:** TEB-60L-24DC or PSB-60W-ELV-24VDC: 120VAC input, 24VDC 60 watt output

**Dimming:** Dimmable with low voltage electronic dimmer using power supply above. See power supply spec sheet for additional details. Lutron: Diva DVELV-300P; Skylark SELV-300P; Maestro MAELV-600 dimmers are recommended.



STRIP **DOES NOT** BEND 90°



- A. Lutron Dimmers  
Diva **DVELV-300P**  
or Skylark **SELV-300P**
- B. 60W 24VDC Power Supply  
**TEB-60L-24DC**
- C. Splice Box or Junction  
Box Cover (optional)
- D. Soft Strip Premium  
**SS2P-24V-\_-WW**  
sold by the foot; up to 40 ft  
with easy plug-in connector on  
each end
- E. Soft Strip Premium  
**SS2P-24V-2IN-WW**  
2.4 inch segment with easy  
plug-in connector on each end
- F. L-Connector  
**SS-CL**  
L-shaped plug-in connector
- G. Flexible Connector-  
3, 6, 12, 36, 96 or 144"  
**SS-CFX-\_-**
- H. End Cap Connector  
**SS-CEC**

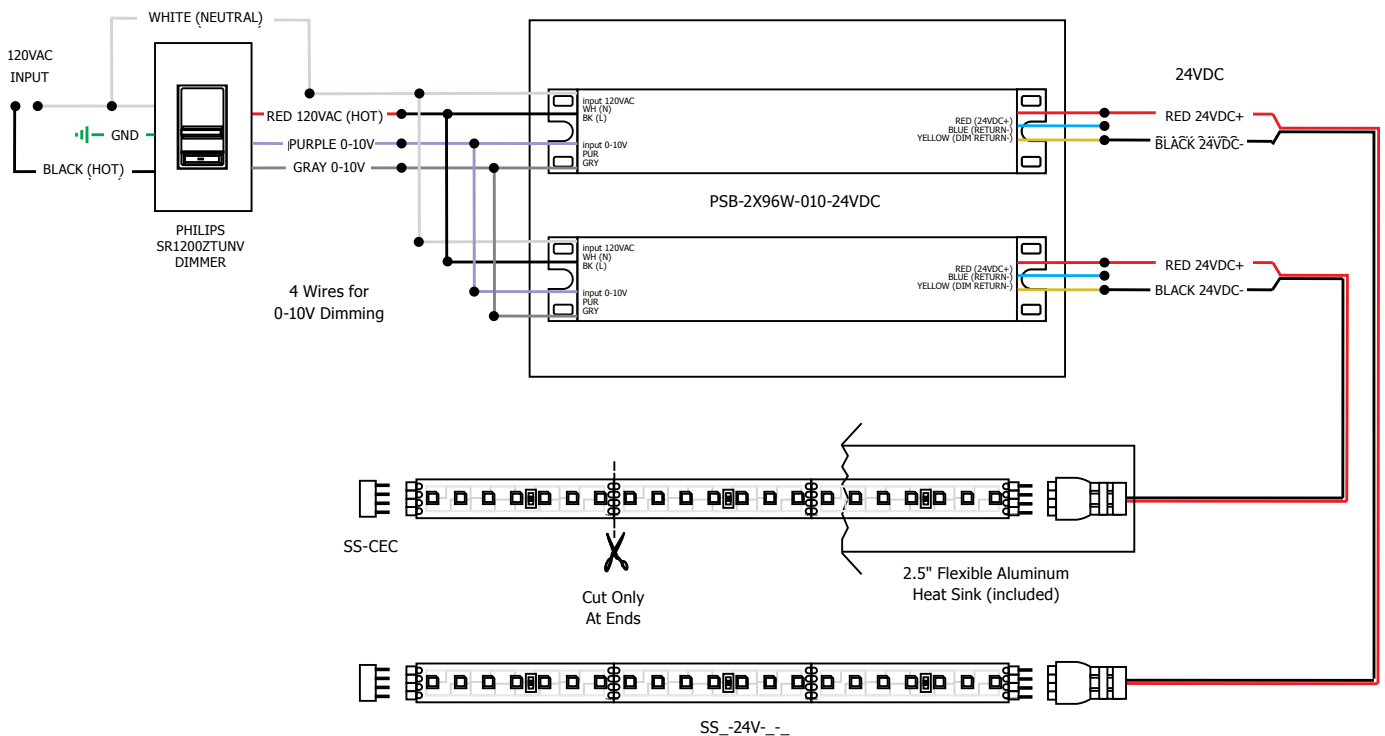
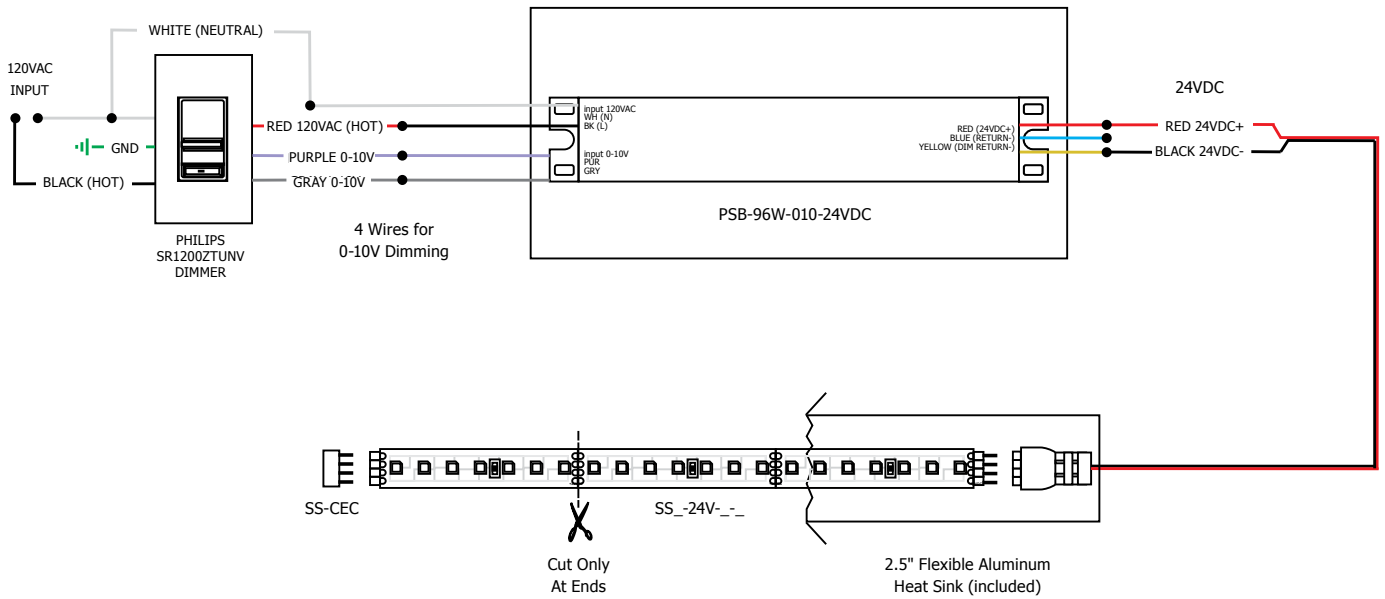
PROJECT: \_\_\_\_\_ FIXTURE TYPE: \_\_\_\_\_ DATE: \_\_\_\_\_



**Application:** 0-10V dimming for SS2P Soft Strip

**Power Supply:** Class 2, 24VDC output: 120-277VAC input, 96 watt output PSB-96W-010-24VDC;  
120-277VAC input, 192 watt output PSB-2X96W-010-24VDC

**Dimming:** Dimmable with 0-10V dimmer using power supply above. See power supply spec sheet for additional details. Philips Sunrise SR1200ZTUNV, 0-10V dimmer recommended.



PROJECT: \_\_\_\_\_ FIXTURE TYPE: \_\_\_\_\_ DATE: \_\_\_\_\_